

New Product Line

High Power Terminal Blocks

2009 Ver. 1

- Through Type, Relay Type, Branch Type
- UL 94V-0 Rated PBT Base
- Voltage Rating up to 900V
- Current Rating up to 600A
- UL Approved Product
- Din Rail Type Coming Soon

Vaisis Inc.

www.vaisis.com
832 Magnolia Ave, Suite 11
Pasadena, CA 91107

P: 626-795-6696 | F: 626-795-6896
For sales inquiries, please email us at sales@vaisis.com

High Power Terminal Blocks

Through Type / Relay Type / Branch Type

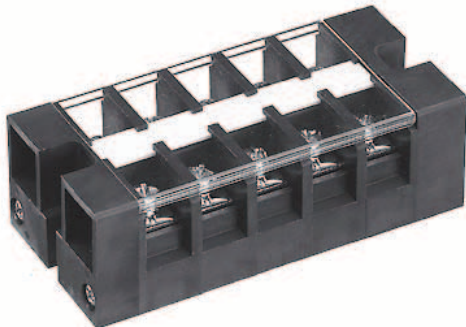
Vaisis



Through Type 1

cUL^{us} (FW2)

- Base Material: PBT 94V-0
- Voltage Rating: 600V (Except OTB-351, 300V)
- Current Rating: Up to 350A
- UL Certification: FW2
- Pole Pitch: 8.5-49.0 mm
- Lead Time: 6-8 Weeks
- Please refer to sepcific model drawings for details



Relay Type 7

cUL^{us} (FW2)

- Base Material: PBT 94V-0
- Voltage Rating: Up to 900V
- Current Rating: Up to 600A
- UL Certification: FW2
- Pole Pitch: 11.0-61.0 mm
- Lead Time: 6-8 Weeks
- Please refer to sepcific model drawings for details



Branch Type 13

UL[®] SCCR

- Base Material: PBT 94V-0
- Voltage Rating: 600V
- Current Rating: Up to 400A
- UL Certification: Approved
- SCCR: Acquired
- Lead Time: 6-8 Weeks
- Please refer to sepcific model drawings for details

Optional Cross Jumper 21

- Material/Finish: Brass/Nickel Plated
- Please refer to sepcific model drawings for details

This Page Intentionally Left Blank

High Power Terminal Blocks

Through Type

Vaisis



cUL^{us} (FW2)

- Base Material: PBT 94V-0
- Voltage Rating: 600V (Except OTB-351, 300V)
- Current Rating: Up to 350A
- UL Certification: FW2
- Pole Pitch: 8.5-49.0 mm
- Lead Time: 6-8 Weeks
- Please refer to sepcific model drawings for details

RoHS COMPLIANT

Model Number	Pitch (mm)	Voltage Rating (V)	Current Rating (A)	Positions	Wire Size (AWG)	UL Certification	Minimum Order
OTB-351	8.5	300	20	1-15	14-22 Cu	FW2	Contact us
OTB-330N	13.0	600	40	2-15	12-22 Cu	FW2	
OTB-358N	16.0	600	100	1-15	3-14 Cu	FW2	
OTB-811	19.5	600	100	1-15	2-16 Cu	Pending	
OTB-388	21.0	600	100	1-15	2-8 Cu	FW2	
OTB-390	21.0	600	130	1-15	2-8 Cu	Pending	
OTB-488	27.0	600	150	1-15	3-10 Cu	FW2	
OTB-490	27.0	600	170	1-15	2/0-10 Cu	FW2	
OTB-588	35.0	600	250	1-12	4/0-4 Str. Cu	FW2	
OTB-688	49.0	600	350	1-8	N/A	FW2	

Order subject to minimum order.
Limited sample available for purchase upon request.

Optional Cross Jumpers

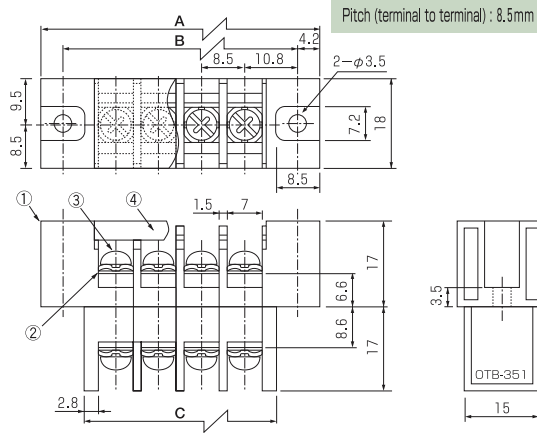
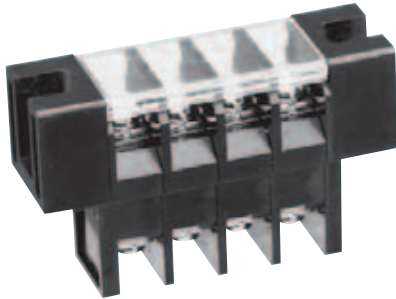
Terminal Block Model Number	Cross Jumper Part Number	Cross Jumper Current Rating (A)	Cross Jumper Configuration
OTB-330N	OSP-018	30	2 Position
	OSP-040	30	Vertical, 2 Position
OTB-358N	OSP-16	60	2 Position
	OSP-358	85	2 Position
OTB-388	OSP-388	130	2 Position
OTB-390	OSP-388	130	2 Position
OTB-488	OSP-048L	150	2-3 Position
OTB-490	OSP-048L	150	2-3 Position

Please refer to specific Cross Jumper drawings for details.
Sample not available.

High Power Terminal Blocks Through Type

Vaisis

OTB-351



Specifications

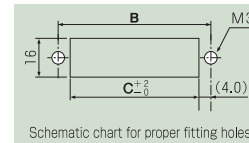
Electrical Rating	300V, 20A
Insulation Resistance	DC500V, 1000MΩ
Withstanding Voltage	AC2000V
Storage Temperature Rating	-30°C~+80°C
Usage Temperature Rating	-30°C~+80°C

Composition

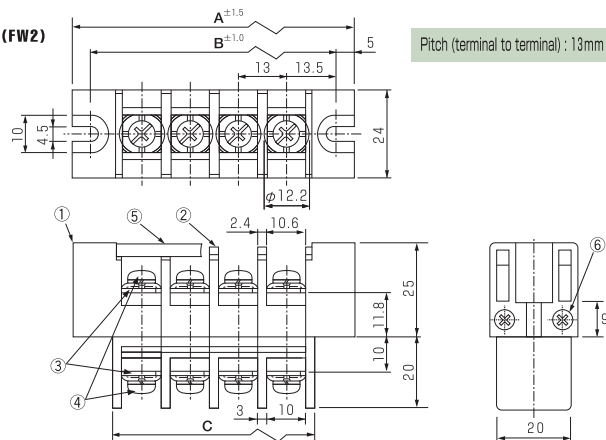
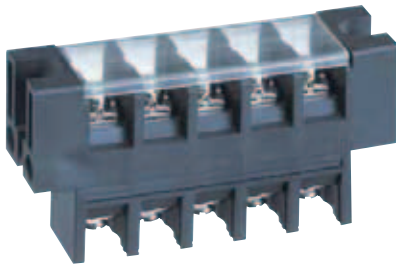
No.	Part Name	Materials	UL Rating	Treatment	Remarks
①	Base	Polycarbonate	94V-0		Black
②	Terminal	Brass		Nickel Plated	
③	Screw (M3, M3.5)	Steel		Nickel Plated	F Series
④	Cover	Polycarbonate	94V-0		Transparency

Measurements List of A, B & C (P : Number of terminals)

P	1	2	3	4	5	6	7	8	9	10	11	12	13	14	15	16	17	18	19	20	21	22	
A	30	38.5	47.0	55.5	64.0	72.5	81.0	89.5	98.0	106.5	115.0	123.5	132.0	140.5	149.0								
B	21.6	30.1	38.6	47.1	55.6	64.1	72.6	81.1	89.6	98.1	106.6	115.1	123.6	132.1	140.6								
C	12.6	21.1	29.6	38.1	46.6	55.1	63.6	72.1	80.6	89.1	97.6	106.1	114.6	123.1	131.6								



OTB-330N-□P-FB



Specifications

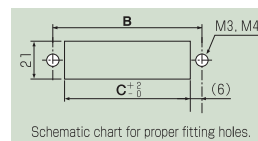
Electrical Rating	600V, 40A
Insulation Resistance	DC500V, 1000MΩ
Withstanding Voltage	AC2500V
Storage Temperature Rating	-40°C~+90°C
Usage Temperature Rating	-40°C~+90°C

Composition

No.	Part Name	Materials	UL Rating	Treatment	Remarks
①	Base	PBT	94V-0		※1
②	Base 1	PBT	94V-0		※1
③	Terminal	Brass		Sn	
④	Screw (M4×12L)	Steel		Nickel Plated	
⑤	Cover	Polycarbonate	94V-0		Transparency
⑥	Joint Shaft (M3)	Steel		Nickel Plated	

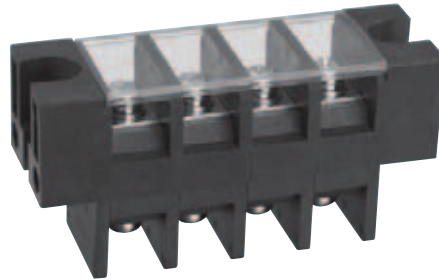
Measurements List of A, B & C (P : Number of terminals) ※More than 15P are special order products.

P	1	2	3	4	5	6	7	8	9	10	11	12	13	14	15	16	17	18	19	20	21	22	
A		50	63	76	89	102	115	128	141	154	167	180	193	206	219								
B		40	53	66	79	92	105	118	131	144	157	170	183	196	209								
C		28.6	41.6	54.6	67.6	80.6	93.6	106.6	119.6	132.6	145.6	158.6	171.6	184.6	197.6								

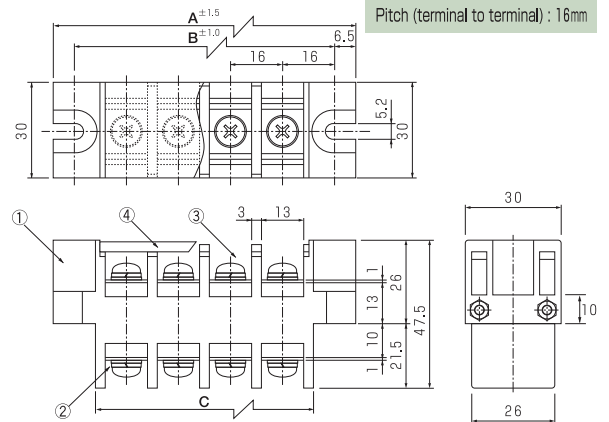


OTB-358N

UL[®] (FW2)



*Marking Strip (Optional)



Specifications

Electrical Rating	600V, 100A
Insulation Resistance	DC500V, 1000MΩ
Withstanding Voltage	AC2500V
Storage Temperature Rating	-40°C~+90°C
Usage Temperature Rating	-40°C~+90°C

Composition

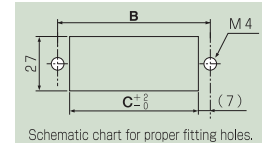
*1: Base color can be selected the black, red, blue, green and the gray. (Standard color Black)

No.	Part Name	Materials	UL Rating	Treatment	Remarks
①	Base	PBT	94V-0		*1
②	Terminal	Brass		Nickel Plated	
③	Screw (M5x12L)	Steel		Nickel Plated	
④	Cover	Polycarbonate	94V-0		Transparency

Measurements List of A, B & C (P : Number of terminals)

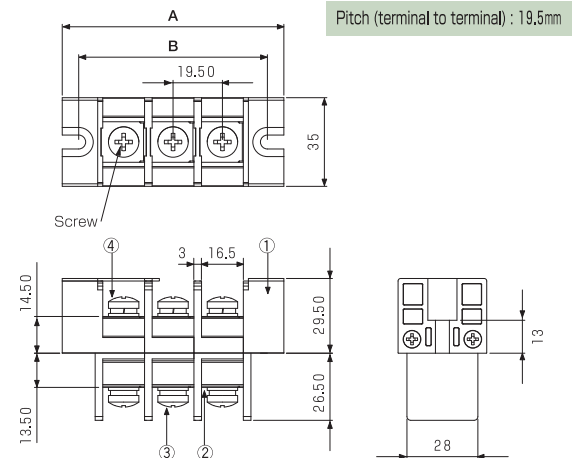
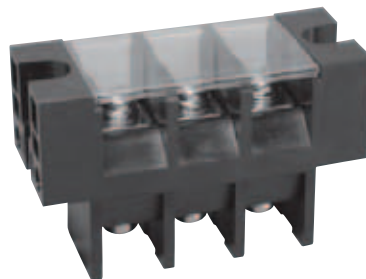
*More than 15P are special order products.

P	1	2	3	4	5	6	7	8	9	10	11	12	13	14	15	16	17	18	19	20	21	22	
A	45	61	77	93	109	125	141	157	173	189	205	221	237	253	269								
B	32	48	64	80	96	112	128	144	160	176	192	208	224	240	256								
C	19	35	51	67	83	99	115	131	147	163	179	195	211	227	243								



OTB-811

UL[®] (FW2)
Under Application



Specifications

Electrical Rating	600V, 100A
Insulation Resistance	DC500V, 1000MΩ
Withstanding Voltage	AC2500V
Storage Temperature Rating	-40°C~+90°C
Usage Temperature Rating	-40°C~+90°C

Composition

No.	Part Name	Materials	UL Rating	Treatment	Remarks
①	Base	PBT	94V-0		Black
②	Terminal	Brass		Nickel Plated	
③	Screw (M6)	Brass		Nickel Plated	
④	Cover	Polycarbonate	94V-0		

Measurements List of A & B (P : Number of terminals)

P	1	2	3	4	5	6	7	8	9	10	11	12	13	14	15
A	48.5	68	87.5	107	126.5	146	165.5	185	204.5	224	243.5	263	282.5	302	321.5
B	35.5	55	74.5	94	113.5	133	152.5	172	191.5	211	230.5	250	269.5	289	308.5

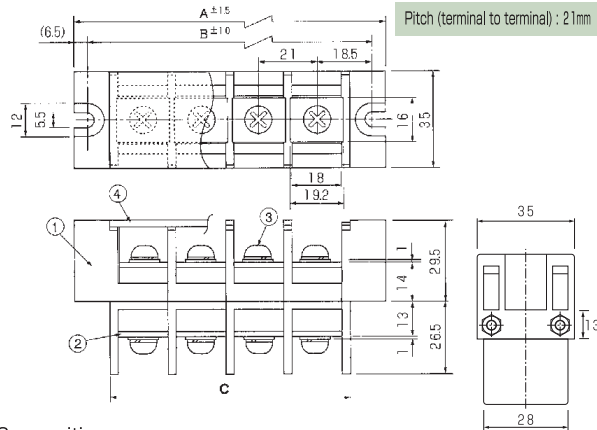
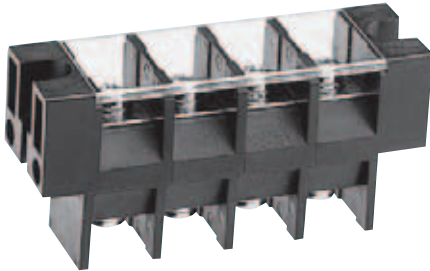
High Power Terminal Blocks

Through Type

Vaisis

OTB-388

UL US (FW2) TÜV



Specifications

Electrical Rating	600V, 100A
Insulation Resistance	DC500V, 1000MΩ
Withstanding Voltage	AC2500V
Storage Temperature Rating	-40°C~+90°C
Usage Temperature Rating	-40°C~+90°C

Composition

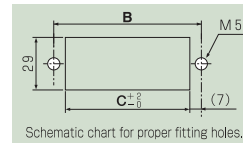
No.	Part Name	Materials	UL Rating	Treatment	Remarks
①	Base	PBT	94V-0		※1
②	Terminal	Brass		Nickel Plated	
③	Screw (M6×14L)	Steel		Nickel Plated	
④	Cover	Polycarbonate	94V-0		Transparency

Measurements List of A, B & C (P : Number of terminals)

P	1	2	3	4	5	6	7	8	9	10	11	12	13	14	15	16	17	18	19	20	21	22	
A	50	71	92	113	134	155	176	197	218	239	260	281	302	323	344								
B	37	58	79	100	121	142	163	184	205	226	247	268	289	310	331								
C	24	45	66	87	108	129	150	171	192	213	234	255	276	297	318								

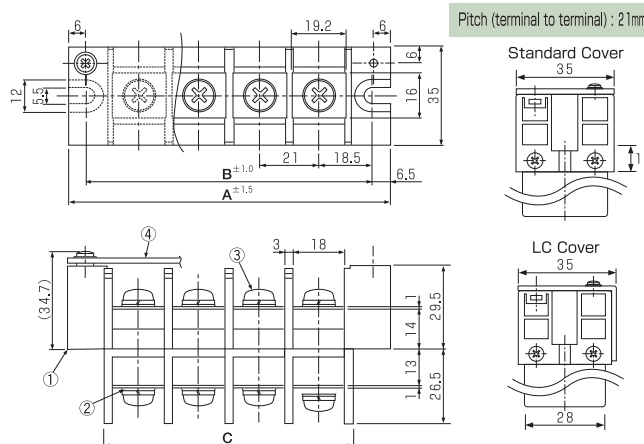
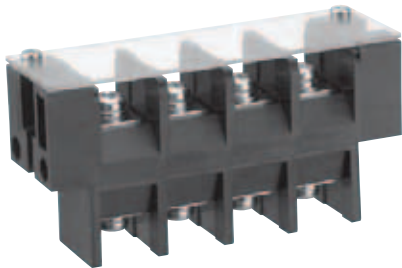
※1 : Base color can be selected the black, red, blue, green and the gray. (Standard color Black)

※6P~15P pole of dimensional tolerance (A, B and C) ±0.2.



OTB-390

UL US (FW2)
Under Application



Specifications

Electrical Rating	600V, 130A
Insulation Resistance	DC500V, 1000MΩ
Withstanding Voltage	AC2500V
Storage Temperature Rating	-40°C~+90°C
Usage Temperature Rating	-40°C~+90°C

Composition

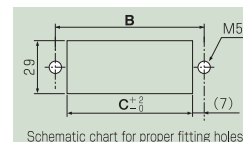
No.	Part Name	Materials	UL Rating	Treatment	Remarks
①	Base	PBT	94V-0		Black
②	Terminal	Brass		Nickel Plated	
③	Screw (M6×14L)	Steel		Nickel Plated	
④	Cover	Polycarbonate	94V-0		Transparency

Measurements List of A, B & C (P : Number of terminals)

※13P~15P are special order products.

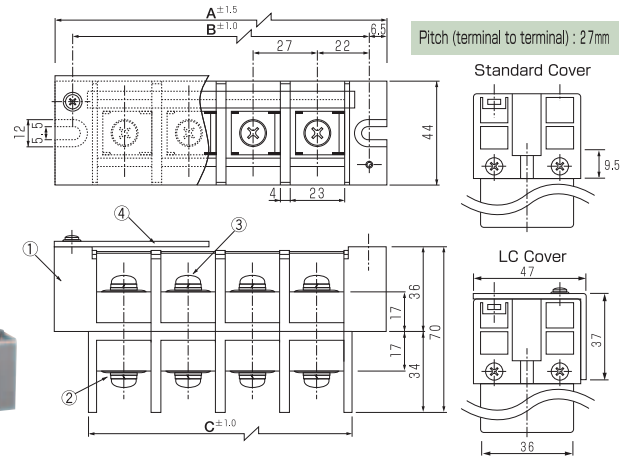
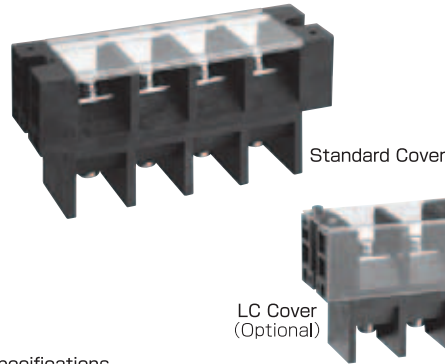
P	1	2	3	4	5	6	7	8	9	10	11	12	13	14	15	16	17	18	19	20	21	22	
A	50	71	92	113	134	155	176	197	218	239	260	281	302	323	344								
B	37	58	79	100	121	142	163	184	205	226	247	268	289	310	331								
C	24	45	66	87	108	129	150	171	192	213	234	255	276	297	318								

※6P~15P pole of dimensional tolerance (A, B and C) ±0.2.



OTB-488

OTB-488S



Specifications

Electrical Rating	600V, 100A (UL), 600V, 150A (CUL)
Insulation Resistance	DC500V, 1000MΩ
Withstanding Voltage	AC2500V
Storage Temperature Rating	-40°C~+90°C
Usage Temperature Rating	-40°C~+90°C

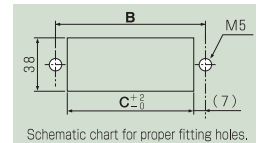
Composition

No.	Part Name	Materials	UL Rating	Treatment	Remarks
①	Base	PBT	94V-0		Black
②	Terminal	Brass		Nickel Plated	
③	Screw (M6×12L)	Brass		Nickel Plated	
④	Cover	C Polycarbonate	94V-0		Optional
		LC Polycarbonate	94V-0		

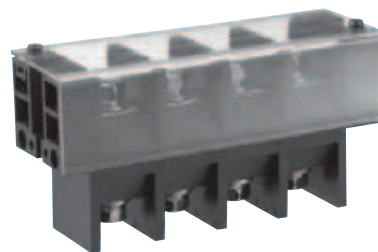
Measurements List of A, B & C (P : Number of terminals)

※13P~15P are special order products.

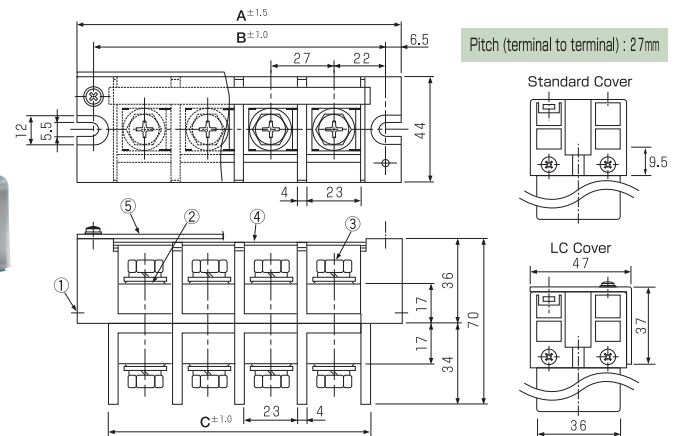
P	1	2	3	4	5	6	7	8	9	10	11	12	13	14	15	16	17	18	19	20	21	22	
A	57	84	111	138	165	192	219	246	273	300	327	354	381	408	435								
B	44	71	98	125	152	179	206	233	260	287	314	341	368	395	422								
C	31	58	85	112	139	166	193	220	247	274	301	328	355	382	409								



OTB-490



※LC Cover (Optional)



Specifications

Electrical Rating	600V, 170A
Insulation Resistance	DC500V, 1000MΩ
Withstanding Voltage	AC2500V
Storage Temperature Rating	-40°C~+90°C
Usage Temperature Rating	-40°C~+90°C

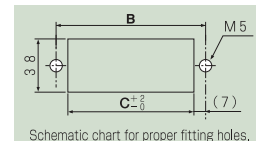
Composition

No.	Part Name	Materials	UL Rating	Treatment	Remarks
①	Base	PBT	94V-0		Black
②	Terminal	Copper		Nickel Plated	
③	Bolt (M8×16L)	Steel		Zinc plating trivalent chromate	P.W. SW
④	Marking Strip	Polycarbonate	94V-0		
⑤	Cover	C Polycarbonate	94V-0		Optional
		LC Polycarbonate	94V-0		

Measurements List of A, B & C (P : Number of terminals)

※13P~15P are special order products.

P	1	2	3	4	5	6	7	8	9	10	11	12	13	14	15	16	17	18	19	20	21	22	
A	57	84	111	138	165	192	219	246	273	300	327	354	381	408	435								
B	44	71	98	125	152	179	206	233	260	287	314	341	368	395	422								
C	31	58	85	112	139	166	193	220	247	274	301	328	355	382	409								

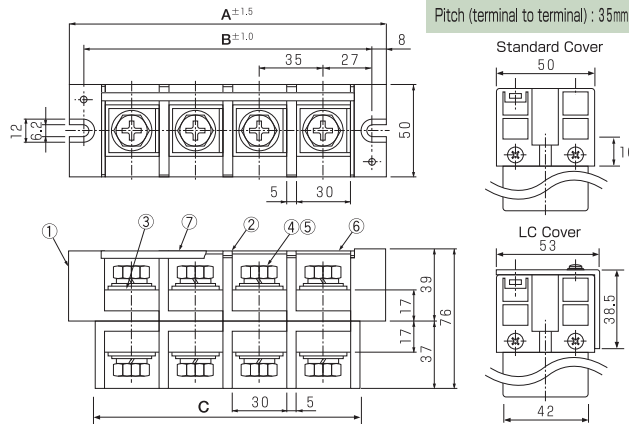


High Power Terminal Blocks Through Type

OTB-588



※LC Cover (Optional)



Specifications

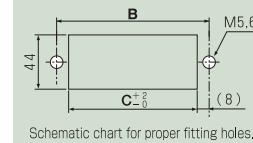
Electrical Rating	600V, 250A
Insulation Resistance	DC500V, 1000MΩ
Withstanding Voltage	AC2500V
Storage Temperature Rating	-40°C~+90°C
Usage Temperature Rating	-40°C~+90°C
Number of terminals	2P~10P

Composition

No.	Part Name	Materials	UL Rating	Treatment	Remarks
①	Base	PBT	94V-0		Black
②	Base 1	PBT	94V-0		Black
③	Terminal	Copper		Nickel Plated	
④	Bolt (M10×20L)	Steel		Zinc plating trivalent chromate	PW, SW
⑤	Nut (M10)	Steel		Zinc plating trivalent chromate	
⑥	Marking Strip		94V-0		
⑦	Cover	C	Polycarbonate	94V-0	
		LC	Polycarbonate	94V-0	

Measurements List of A, B & C (P : Number of terminals)

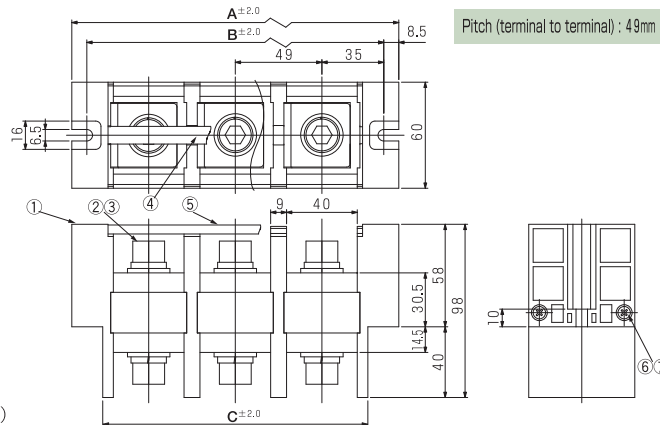
P	1	2	3	4	5	6	7	8	9	10	11	12	13	14	15	16	17	18	19	20	21	22	
A	70	105	140	175	210	245	280	315	350	385	420	455											
B	54	89	124	159	194	229	264	299	334	369	404	439											
C	40	75	110	145	180	215	250	285	320	355	390	425											



OTB-688



※Marking Strip (Optional)



Specifications

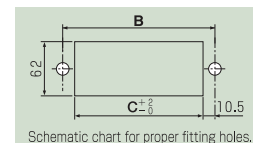
Electrical Rating	600V, 350A
Insulation Resistance	DC500V, 1000MΩ
Withstanding Voltage	AC3000V
Storage Temperature Rating	-40°C~+90°C
Usage Temperature Rating	-40°C~+90°C

Composition

No.	Part Name	Materials	UL Rating	Treatment	Remarks
①	Base	PBT	94V-0		Black
②	Terminal	Copper		Nickel Plated	
③	Bolt (M12×20L)	Steel		Zinc plating trivalent chromate	PW, SW
④	Marking Strip	PET			Optional
⑤	Cover	Polycarbonate	94V-0		Transparency
⑥	Joint Shaft (M4)	Steel		Nickel Plated	
⑦	Nut (M4)	Steel		Nickel Plated	

Measurements List of A, B & C (P : Number of terminals)

P	1	2	3	4	5	6	7	8	9	10	11	12	13	14	15	16	17	18	19	20	21	22	
A	87	136	185	234	283	332	381	430															
B	70	119	168	217	266	315	364	413															
C	52	101	150	199	248	297	346	395															



High Power Terminal Blocks

Relay Type



cUL[®] us (FW2)

- Base Material: PBT 94V-0
- Voltage Rating: Up to 900V
- Current Rating: Up to 600A
- UL Certification: FW2
- Pole Pitch: 11.0-61.0 mm
- Lead Time: 6-8 Weeks
- Please refer to sepcific model drawings for details

RoHS COMPLIANT

Model Number	Pitch (mm)	Voltage Rating (V)	Current Rating (A)	Positions	Wire Size (AWG)	Minimum Order
OK-020	11.0	600	30	1-25	10-12 Cu	Contact us
OK-050	15.5	600	60	1-10	6-12 Cu	
OK-060	16.0	600	85	1-20	6-10 Cu	
OK-080	19.4	850	110	2-10	6-12 Cu	
OK-0100	27.0	600	156	1-15	1/0-8 Cu	
OTB-812	30.0	600	200	1-12	8-20 Cu	
OK-250	32.0	600	250	1-12	3-6 Cu	
OK-250S-9P	32.0	600	250	9	3-6 Cu	
OK-300S	36.0	600	300	1-6	N/A	
OK-600S	61.0	900	600	2-20	N/A	

Order subject to minimum order.
Samples not available.

Optional Cross Jumpers

Terminal Block Model Number	Cross Jumper Part Number	Cross Jumper Current Rating (A)	Cross Jumper Configuration
OK-020	OJ-11(-S)	30	2 Position
OK-050	OSP-147	80	2 Position
OK-060	OSP-16	60	2 Position
	OSP-358	85	2 Position
OK-0100	OSP-048L	150	2-3 Position

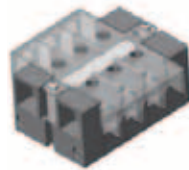
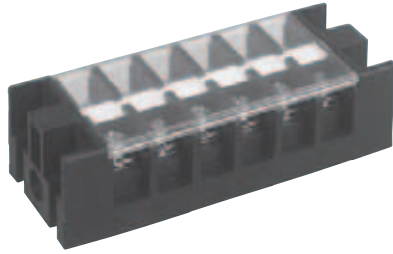
Please refer to specific Cross Jumper drawings for details.
Sample not available.

High Power Terminal Blocks

Relay Type

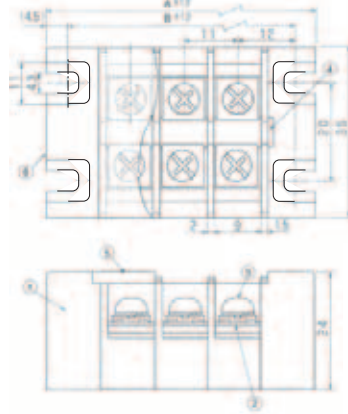
OK-020

OK-020N



FINGER PROTECTING COVER
(3~7Pole)

Pitch (terminal to terminal) : 11mm



Specifications

Electrical Rating	600V, 30A (UL), 600V, 15A (CUL)
Insulation Resistance	DC500V, 1000MΩ
Withstanding Voltage	AC2500V
Storage Temperature Rating	-40°C~+90°C
Usage Temperature Rating	-40°C~+90°C

Composition

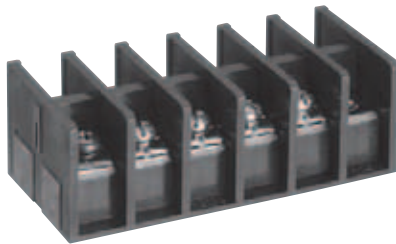
No.	Part Name	Materials	UL Rating	Treatment	Remarks
①	Base	PBT	94V-0		Black
②	Terminal	Brass		Nickel Plated	
③	Screw (M4×8L)	Steel		Nickel Plated	F Series
④	Marking Strip				
⑤	Cover	Polycarbonate	94V-0		Transparency
⑥	Joint Shaft	Steel		Nickel Plated	

Measurements List of A & B (P : Number of terminals)

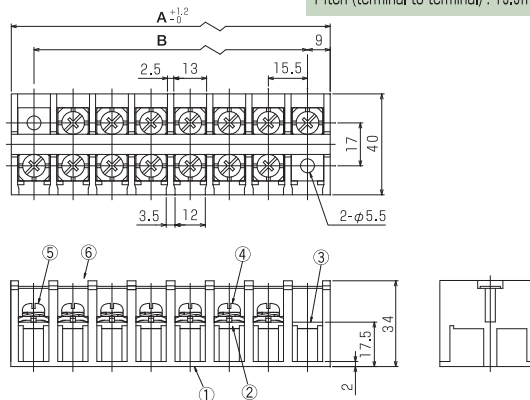
P	1	2	3	4	5	6	7	8	9	10	11	12	13	14	15	16	17	18	19	20	21	22	23	24	25	26	27	28	29	30
A	33	44	55	66	77	88	99	110	121	132	143	154	165	176	187	198	209	220	231	242	253	264	275	286	308					
B	24	35	46	57	68	79	90	101	112	123	134	145	156	167	178	189	200	211	222	233	244	255	266	277	288					

OK-050

PAT



Pitch (terminal to terminal) : 15.5mm



※Do not use the screw for the earth except the purpose as the earth.

Specifications

Electrical Rating	600V, 40A, 50A, 60A
Insulation Resistance	DC500V, 1000MΩ
Withstanding Voltage	AC2500V
Storage Temperature Rating	-40°C~+90°C
Usage Temperature Rating	-40°C~+90°C

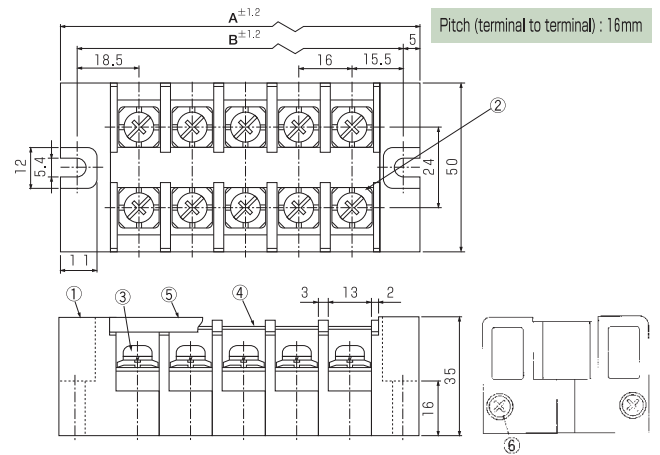
Composition

No.	Part Name	Materials	UL Rating	Treatment	Remarks
①	Base	PBT	94V-0		Black
②	Terminal A	Brass		Nickel Plated	
③	Terminal B	Brass		Nickel Plated	
④	Screw (M5×12L)	Steel		Zinc plating trivalent chromate	F Series
⑤	Screw for earth (M5×12L)	Steel		Zinc plating trivalent chromate	Green

Measurements List of A & B (P : Number of terminals)

P	1	2	3	4	5	6	7	8	9	10	11	12	13	14	15	16	17	18	19	20	21	22	23	24	25	26	27	28	29	30
A	49	64.5	80	95.5	111	126.5	142	157.5	173	188.5																				
B	31	46.5	62	77.5	93	108.5	124	139.5	165	170.5																				

OK-060



Specifications

Electrical Rating	FW1 : 600V, 85A / FW2 : 600V, 60A
Insulation Resistance	DC500V, 1000MΩ
Withstanding Voltage	AC2500V
Storage Temperature Rating	-40°C~+90°C
Usage Temperature Rating	-40°C~+90°C

Composition

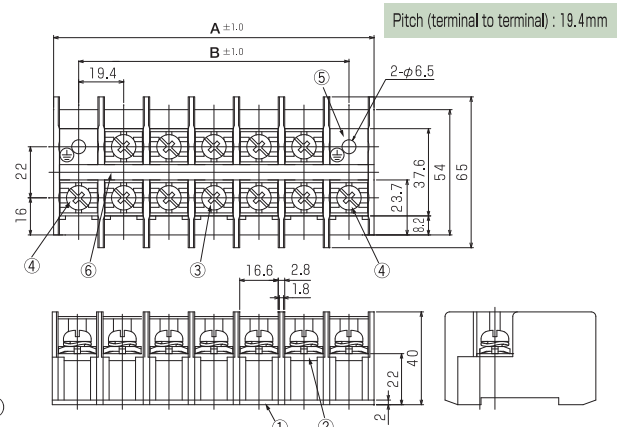
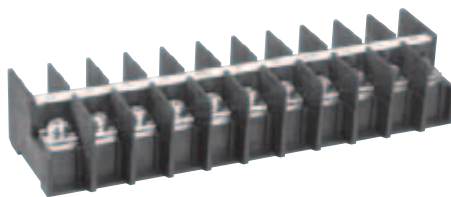
No.	Part Name	Materials	UL Rating	Treatment	Remarks
①	Base	PBT	94V-0		Black
②	Terminal	Brass		Nickel Plated	
③	Screw (M5×12L)	Steel		Nickel Plated	F Series
④	Marking Strip				
⑤	Cover	Polycarbonate	94V-0		Transparency
⑥	Joint Shaft (M4)	Steel		Nickel Plated	

Measurements List of A & B (P : Number of terminals)

P	1	2	3	4	5	6	7	8	9	10	11	12	13	14	15	16	17	18	19	20	21	22	23	24	25	26	27	28	29	30
A	44	60	76	92	108	124	140	156	172	188	204	220	236	252	268	284	300	316	332	348										
B	34	50	66	82	98	114	130	146	162	178	194	210	226	242	258	274	290	306	322	338										

OK-080

PAT



※Marking Strip (Optional)

※Do not use the screw for the earth except the purpose as the earth.

Specifications

Electrical Rating	850V, 110A (AWG3), 90A (AWG4), 70A (AWG6)
Insulation Resistance	DC500V, 500MΩ
Withstanding Voltage	AC2500V
Storage Temperature Rating	-40°C~+90°C
Usage Temperature Rating	-40°C~+90°C

Composition (2P-8P)

No.	Part Name	Materials	UL Rating	Treatment	Remarks
①	Base	PBT	94V-0		Black
②	Terminal	Brass		Nickel Plated	
③	Screw (M6×14L)	Steel		Zinc plating trivalent chromate	F Series
④	Screw for earth	Steel		Zinc plating trivalent chromate	Green
⑤	Mounting Plate	Brass		Nickel Plated	
⑥	Marking Strip				Optional

Measurements List of A & B (P : Number of terminals)

P	1	2	3	4	5	6	7	8	9	10	11	12	13	14	15	16	17	18	19	20	21	22	23	24	25	26	27	28	29	30
A		80.4	99.8	119.2	138.6	158	177.4	196.8	216.2	235.6																				
B		58.2	77.6	97	116.4	135.8	155.2	174.6	194	213.4																				

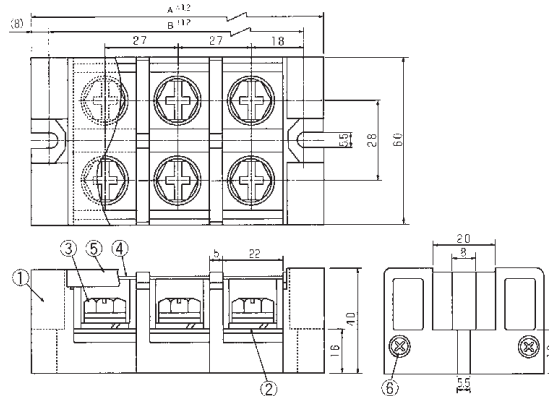
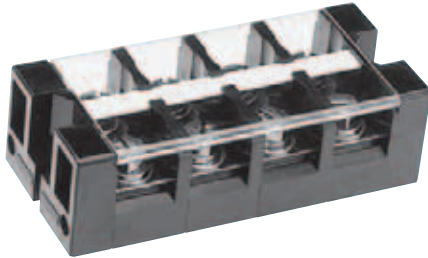
High Power Terminal Blocks

Relay Type

OK-0100

UL (FW2) TÜV

Pitch (terminal to terminal) : 27mm



Specifications

Electrical Rating	600V, 135A (CUL) 600V, 156A (UL)
Insulation Resistance	DC500V, 1000MΩ
Withstanding Voltage	AC2500V
Storage Temperature Rating	-40°C~+90°C
Usage Temperature Rating	-40°C~+90°C

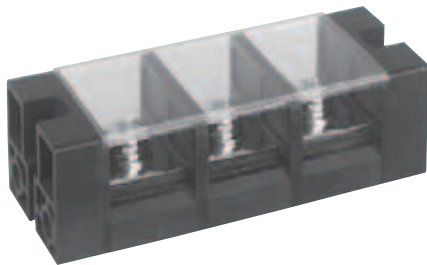
Composition

No.	Part Name	Materials	UL Rating	Treatment	Remarks
①	Base	PBT	94V-0		Black
②	Terminal	Brass		Nickel Plated	
③	Bolt (M8×15L)	Steel		Zinc plating trivalent chromate	SW, PW ⊕
④	Marking Strip				
⑤	Cover	Polycarbonate	94V-0		Transparency
⑥	Joint Shaft (M4)	Steel		Nickel Plated	

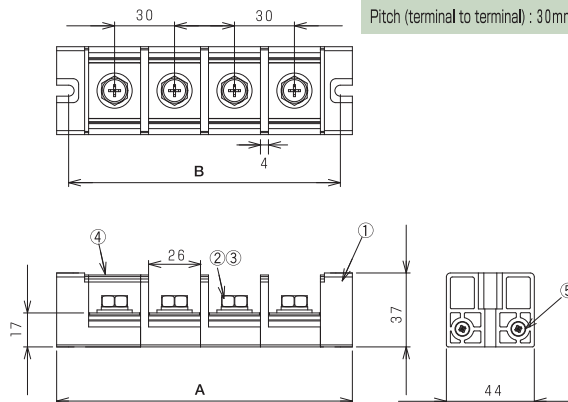
Measurements List of A & B (P : Number of terminals)

P	1	2	3	4	5	6	7	8	9	10	11	12	13	14	15	16	17	18	19	20	21	22	23	24	25	26	27	28	29	30
A	52	79	106	133	160	187	214	241	268	295	322	349	376	403	430															
B	36	63	90	117	144	171	198	225	252	279	306	333	360	387	414															

OTB-812



Pitch (terminal to terminal) : 30mm



Specifications

Electrical Rating	600V, 200A
Insulation Resistance	DC500V, 500MΩ
Withstanding Voltage	AC2500V
Storage Temperature Rating	-40°C~+90°C
Usage Temperature Rating	-40°C~+90°C

Composition

No.	Part Name	Materials	UL Rating	Treatment	Remarks
①	Base	PBT	94V-0		Black
②	Terminal	Brass		Nickel Plated	
③	Screw (M4×10)	Steel		Zinc plating trivalent chromate	F Series
④	Cover	Polycarbonate	94V-0		Transparency
⑤	Joint Shaft	Steel		Nickel Plated	

Measurements List of A & B (P : Number of terminals)

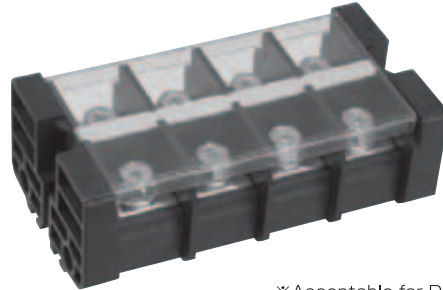
P	1	2	3	4	5	6	7	8	9	10	11	12	13	14	15	16	17	18	19	20	21	22	23	24	25	26	27	28	29	30
A	58	88	118	148	178	208	238	268	298	328	358	388																		
B	46	76	106	136	166	196	226	256	286	316	346	376																		

High Power Terminal Blocks

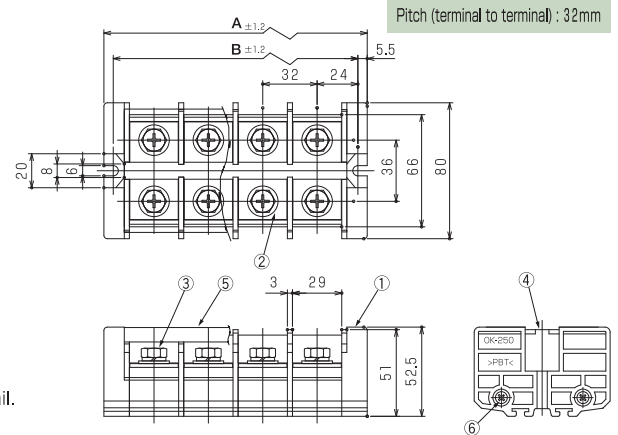
Relay Type

Vaisis

OK-250



※Acceptable for DIN-rail.



Specifications

Electrical Rating	600V, 200A, 250A(※1)
Insulation Resistance	DC500V, 1000MΩ
Withstanding Voltage	AC2500V
Storage Temperature Rating	-40°C~+90°C
Usage Temperature Rating	-40°C~+90°C

※1 : Two ring-molding can be used.

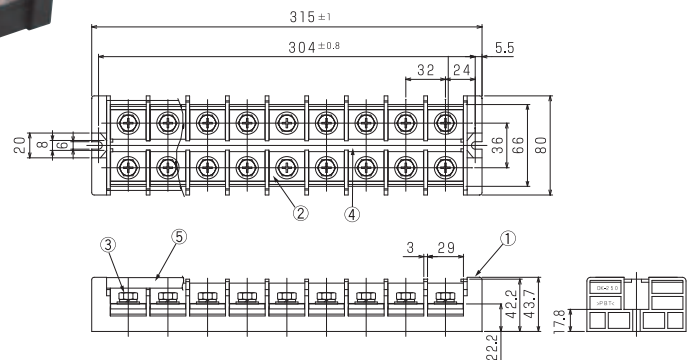
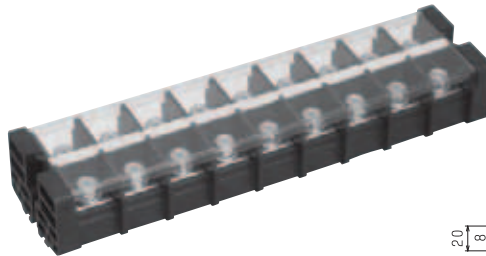
Measurements List of A & B (P : Number of terminals)

P	1	2	3	4	5	6	7	8	9	10	11	12	13	14
A	59	91	123	155	187	219	251	283	315	347	379	411		
B	48	80	112	144	176	208	240	272	304	336	368	400		

Composition

No.	Part Name	Materials	UL Rating	Treatment	Remarks
①	Base	PBT	94V-0		Black
②	Terminal	Brass		Nickel Plated	
③	Bolt (M8×20L)	Steel		Zinc plating trivalent chromate	
④	Marking Strip				
⑤	Cover	Polycarbonate			
⑥	Joint Shaft M4	Steel	94V-0	Nickel Plated	

OK-250S-9P



Specifications

Electrical Rating	600V, 200A, 250A(※1)
Insulation Resistance	DC500V, 1000MΩ
Withstanding Voltage	AC2500V
Storage Temperature Rating	-40°C~+90°C
Usage Temperature Rating	-40°C~+90°C
Acceptable Ring-mold	200A, 80-8 250A, R38-8

※1 : Two ring-molding can be used.

Composition

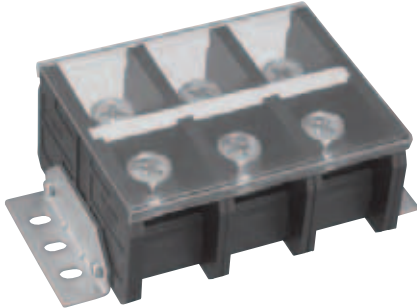
No.	Part Name	Materials	UL Rating	Treatment	Remarks
①	Base	PBT	94V-0		All-in-one design
②	Terminal	Brass		Nickel Plated	
③	Bolt (M8×20L)	Steel		Zinc plating trivalent chromate	
④	Marking Strip				
⑤	Cover	Polycarbonate	94V-0		

High Power Terminal Blocks

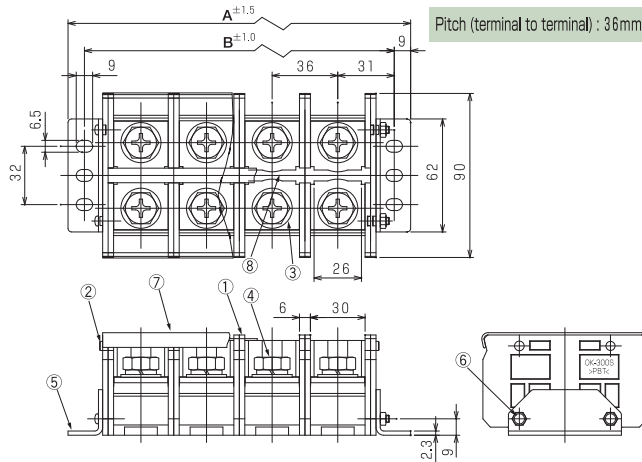
Relay Type

Vaisis

OK-300S



※Acceptable for DIN-rail.



Specifications

Electrical Rating	600V, 300A (※1)
Insulation Resistance	DC500V, 500MΩ
Withstanding Voltage	AC2500V
Storage Temperature Rating	-40℃~+80℃
Usage Temperature Rating	-40℃~+80℃

※1: Two ring-molding can be used.

Measurements List of A & B (P: Number of terminals) More than 7P are special order products.

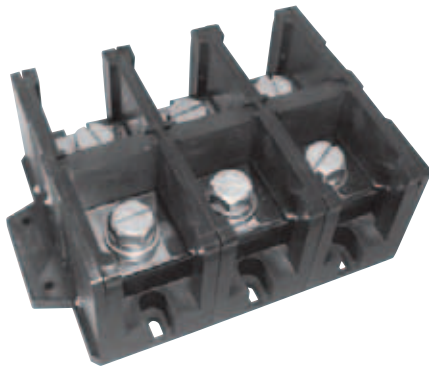
P	1	2	3	4	5	6	7	8	9	10	11	12	13	14
A	80	116	152	188	224	260								
B	62	98	134	170	206	242								

Composition

No.	Part Name	Materials	UL Rating	Treatment	Remarks
①	Base	PBT	94V-0		Black
②	Side Plate	PBT	94V-0		
③	Terminal	Brass		Zinc plating trivalent chromate	
④	Bolt (M10×20L)	Steel		Zinc plating trivalent chromate	SW · PW
⑤	Setting Metal Board	Steel		Zinc plating trivalent chromate	
⑥	Joint Shaft (M4)	Steel		Nickel Plated	
⑦	Cover	Polycarbonate	94V-0		
⑧	Marking Strip				

OK-600S

PAT

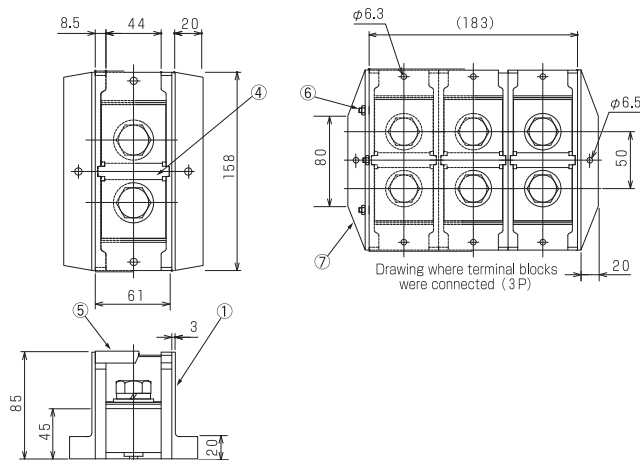


- ※2~6pole is connected with the shaft.
- ※2~20pole is connected with the Din-rail (35mm).
- ※Cover and Marking Strip (Optional)

Specifications

Electrical Rating	900V, 600A (Use 2 ring-molding AWG250~350)
Insulation Resistance	DC500V, 1000MΩ
Withstanding Voltage	AC2500V
Storage Temperature Rating	-40℃~+90℃
Usage Temperature Rating	-40℃~+90℃

Pitch (terminal to terminal) : 61mm



Composition

No.	Part Name	Materials	UL Rating	Treatment	Remarks
①	Base	PBT	94V-0		Black
②	Terminal	Brass		Nickel Plated	
③	Bolt (M16×40L)	Steel		Zinc plating trivalent chromate	SW · PW
④	Marking Strip				Optional
⑤	Cover	Polycarbonate	94V-0		Optional
⑥	Joint Shaft	Steel		Nickel Plated	
⑦	Setting Metal Board	PBT	94V-0		

High Power Terminal Blocks

Branch Type



- Base Material: PBT 94V-0
- Voltage Rating: 600V
- Current Rating: Up to 400A
- UL Certification: Approved
- SCCR: Acquired
- Lead Time: 6-8 Weeks
- Please refer to sepcific model drawings for details

RoHS COMPLIANT

Model Number	Voltage Rating (V)	Current Rating (A)	Din Rail Mount	Input/Output Screw Config. (Metric)		Minimum Order
				Line (Input)	Load (Output)	
OTP-80	600	80	Yes	M6 (1)	M4 (5)	Contact us
				M6 (1)	M4 (3), M5 (1)	
OTP-1000	600	200	No	M8 (1)	M5 (3)	
				M8 (1)	M5 (2), M8 (1)	
OTP-2000	600	200	No	M8 (1)	M4 (5)	
				M8 (1)	M4 (3), M5 (1)	
				M8 (1)	M4 (3), M5 (2)	
				M8 (1)	M5 (5)	
OTP-6000N	600	125	No	M6 (1)	M4 (5)	
				M6 (1)	M4 (3), M5 (2)	
				M8 (1)	M4 (5)	
				M8 (1)	M4 (3), M5 (2)	
OTP-7000	600	400	Yes	M10 (2)	M6 (5)	
				M10 (2)	M6 (3), M8 (2)	
				M10 (2)	M6 (2), M8 (3)	
OTP 8000	600	400	Yes	M12 (1)	M6 (5)	
				M12 (1)	M6 (3), M8 (2)	
				M12 (1)	M6 (2), M8 (3)	
OTP-9000	600	250	No	M8 (2)	M6 (5)	
				M10 (1)	M6 (5)	
				M8 (2)	M8 (3)	

Order subject to minimum order.
OPT-80 sample available for purchase upon request.

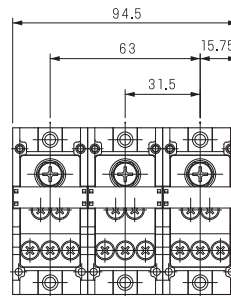
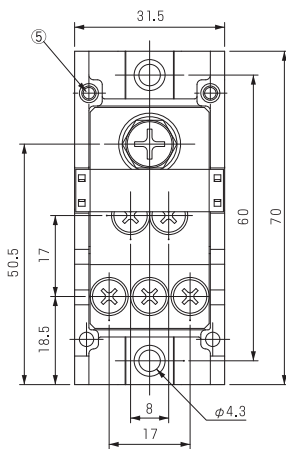
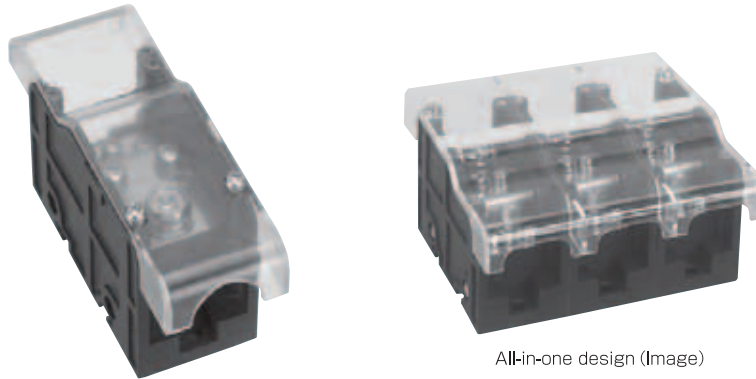
High Power Terminal Blocks

Branch Type

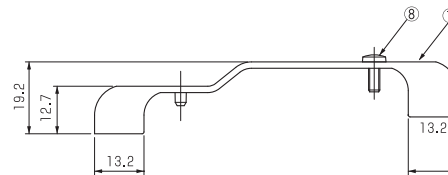
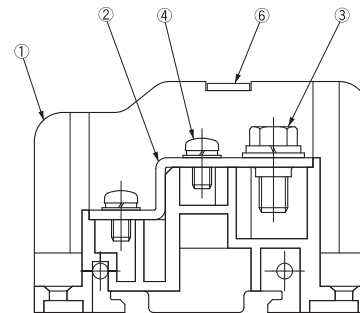
OTP-80 Series

(Acceptable for DIN-rail)

UL SCCR □□kA



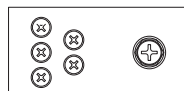
Drawing of all-in-one design



⑧ Drawing of cover

Figure of input and output

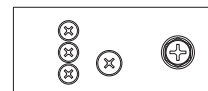
OTP-80



Output M4×5 Input M6
(Total 80A) (80A)

[Recommended ring-terminal
5.5-S4]

OTP-80-1



Output M4×3,M5 Input M6
(Total 80A) (80A)

[Recommended ring-terminal
5.5-5 (M5)
5.5-S4 (M4)]

Specifications (It is producible from 1 pole to 8 poles)

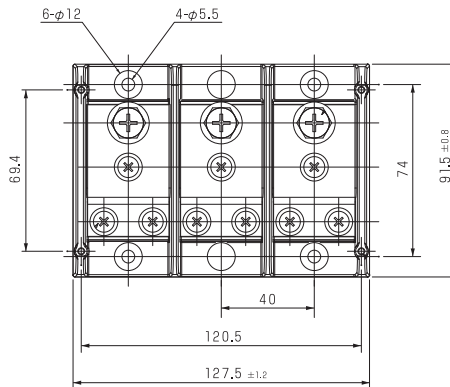
Electrical Rating	600V, 80A
Insulation Resistance	DC500V, 1000MΩ
Withstanding Voltage	AC2000V
Storage Temperature Rating	-40°C~+90°C
Usage Temperature Rating	-40°C~+90°C

Composition

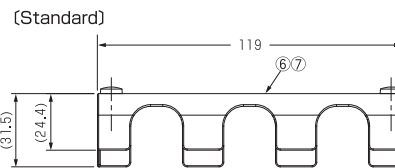
No.	Part Name	Materials	UL Rating	Treatment	Remarks
①	Base	PBT	94V-0		Black
②	Terminal	Brass		Nickel Plated	
③	Bolt	Steel		Zinc plating trivalent chromate	
④	Screw	Steel		Nickel Plated	
⑤	Insert metal fitting	Brass		Nickel Plated	
⑥	Marking Strip	PA 66	94V-0		Gray
⑦	Cover	Polycarbonate			Transparency
⑧	Attachment screws for cover	Steel		Nickel Plated	

OTP-1000 Series

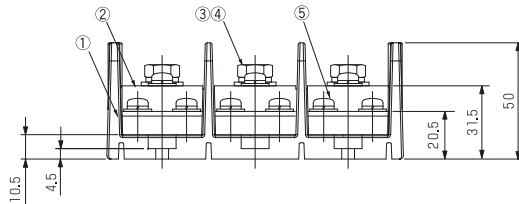
SCCR □□kA



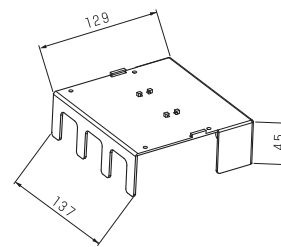
The cover can be selected.



(Finger Protecting Type)



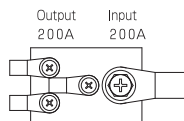
(TC Cover) ※Optional



(Finger Protecting Type)

Figure of input and output

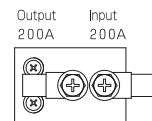
OTP-1000



Output M5×3 Input M8
(Total 200A) (200A)

{ Recommended ring-terminal }
5.5-5

OTP-1000-2



Output M5×2.M8 Input M8
(Total 200A) (200A)

{ Recommended ring-terminal }
5.5-5 (M5)

※Acceptable ring-terminal for 100A
R-38-S8

Specifications

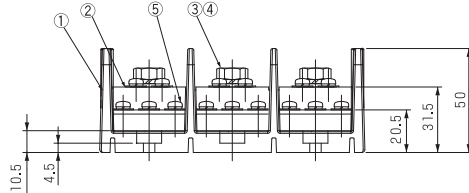
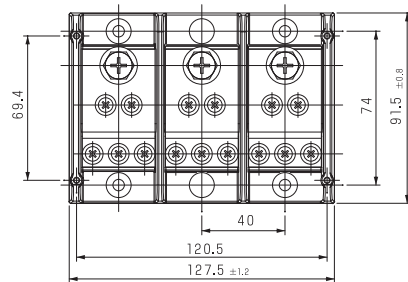
Electrical Rating	600V, 200A
Insulation Resistance	DC500V, 1000MΩ
Withstanding Voltage	AC2000V
Storage Temperature Rating	-40°C~+90°C
Usage Temperature Rating	-40°C~+90°C

Composition

No.	Part Name	Materials	UL Rating	Treatment	Remarks
①	Base	PBT	94V-0		Black
②	Terminal	Brass		Nickel Plated	
③	Bolt	Steel		Zinc plating trivalent chromate	
④	Nut	Steel		Zinc plating trivalent chromate	
⑤	Screw	Steel		Zinc plating trivalent chromate	
⑥	Marking Strip	PA 66	94V-0		Gray
⑦	Cover	Polycarbonate			Transparency

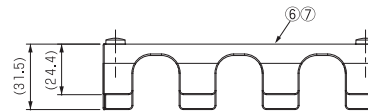
OTP-2000 Series

SCCR □□kA



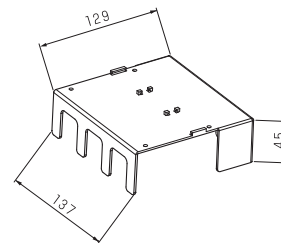
The cover can be selected.

(Standard)



(Finger Protecting Type)

(TC Cover) ※Optional

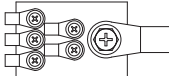


(Finger Protecting Type)

Figure of input and output

OTP-2000

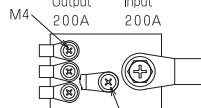
Output 200A Input 200A



Output M4×5 Input M8
(Total 200A) (200A)

OTP-2000-1

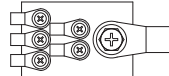
Output 200A Input 200A



Output M4×3, M5 Input M8
(Total 200A) (200A)

OTP-2000-2

Output 200A Input 200A

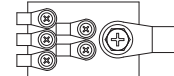


Output M4×3, Input M8
M5×2 (200A)
(Total 200A)

[Recommended ring-terminal]
R14-5

OTP-2000-3

Output 200A Input 200A



Output M5×5 Input M8
(Total 200A) (200A)

Specifications

Electrical Rating	600V, 200A
Insulation Resistance	DC500V, 1000MΩ
Withstanding Voltage	AC2000V
Storage Temperature Rating	-40°C~+90°C
Usage Temperature Rating	-40°C~+90°C

Composition

No.	Part Name	Materials	UL Rating	Treatment	Remarks
①	Base	PBT	94V-0		Black
②	Terminal	Brass		Nickel Plated	t 3.0
③	Bolt	Steel		Zinc plating trivalent chromate	SW · PW
④	Nut	Steel		Zinc plating trivalent chromate	
⑤	Screw	Steel		Zinc plating trivalent chromate	
⑥	Marking Strip	PA 66	94V-0		Gray
⑦	Cover	Polycarbonate			Transparency

High Power Terminal Blocks

Branch Type

Vaisis

OTP-6000N Series

SCCR kA

All-in-one design

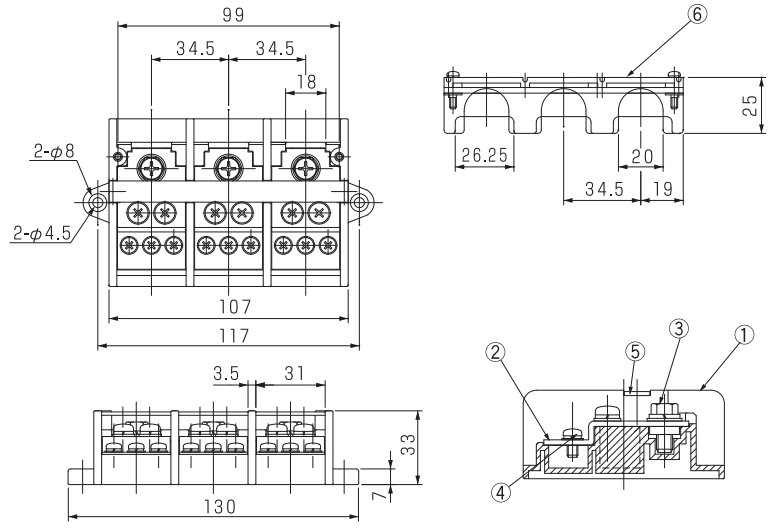


Figure of input and output

OTP-6000N



Output M4×5 (Total 125A) Input M6 (125A)

Recommended ring-terminal R38-S6

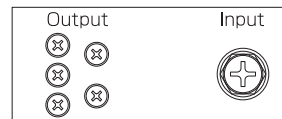
OTP-6000N-1



Output M5×2, M4×3 (Total 125A) Input M6 (125A)

Recommended ring-terminal R38-S6

OTP-6000N-2



Output M4×5 (Total 125A) Input M8 (125A)

Recommended ring-terminal R38-S6

OTP-6000N-4



Output M5×2, M4×3 (Total 125A) Input M8 (125A)

Specifications

Electrical Rating	600V, 125A
Insulation Resistance	DC500V, 1000MΩ
Withstanding Voltage	AC2000V
Storage Temperature Rating	-40°C~+90°C
Usage Temperature Rating	-40°C~+90°C

Composition

No.	Part Name	Materials	UL Rating	Treatment	Remarks
①	Base	PA 66	94V-0		Black
②	Terminal	Copper		Nickel Plated	
③	Bolt	Steel		Zinc plating trivalent chromate	SW · PW
④	Screw	Steel		Nickel Plated	SW · PW
⑤	Marking Strip	PA 66			Gray
⑥	Cover	Polycarbonate			Transparency

OTP-7000 Series

Acceptable for DIN-rail

UL SCCR □□kA


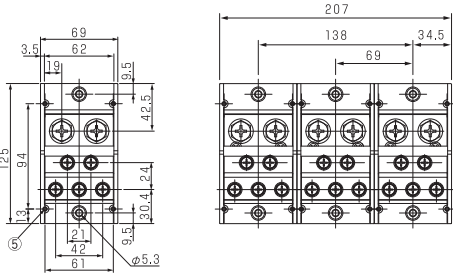
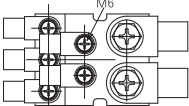



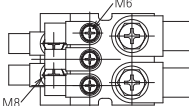
Figure of input and output

OTP-7000



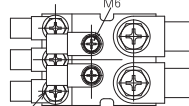
Output M6×5 Input M10×2
(Total 400A) (Total 400A)

OTP-7000-1



Output M8×2, M6×3 Input M10×2
(Total 400A) (Total 400A)

OTP-7000-2 (UL is off the subject)



Output M8×3, M6×2 Input M10×2
(Total 400A) (Total 400A)

OTP-8000 Series

Acceptable for DIN-rail

UL SCCR □□kA


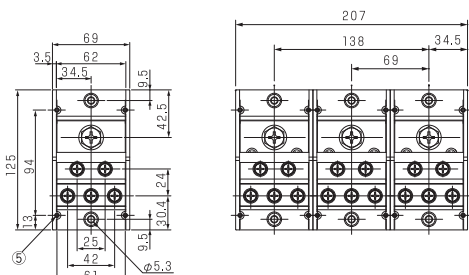
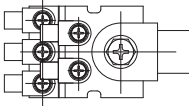



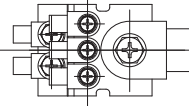
Figure of input and output

OTP-8000



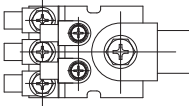
Output M6×5 Input M12
(Total 400A) (Total 400A)

OTP-8000-1



Output M8×2, M6×3 Input M12
(Total 400A) (Total 400A)

OTP-8000-2 (UL is off the subject)



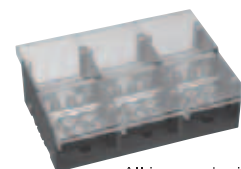
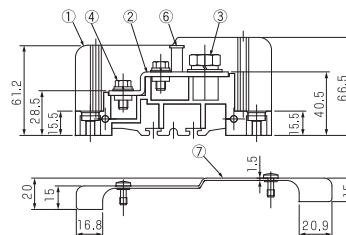
Output M8×3, M6×2 Input M12
(Total 400A) (Total 400A)

Specifications (It is producible from 1 pole to 6 poles)

Electrical Rating	600V, 400A
Insulation Resistance	DC500V, 1000MΩ
Withstanding Voltage	AC2000V
Storage Temperature Rating	-40℃~+90℃
Usage Temperature Rating	-40℃~+90℃

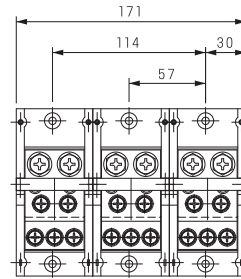
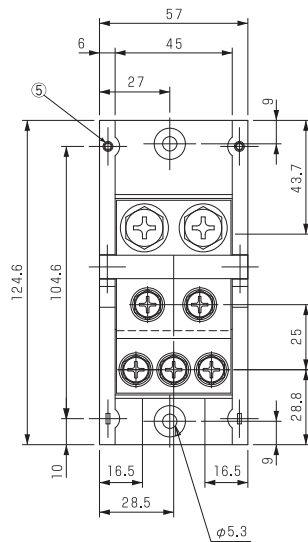
Composition

No.	Part Name	Materials	UL Rating	Treatment	Remarks
①	Base	PBT	94V-0		Black
②	Terminal	Copper		Nickel Plated	
③	Bolt	Steel		Zinc plating trivalent chromate	
④	Bolt	Steel		Zinc plating trivalent chromate	
⑤	Insert metal fitting	Brass		Nickel Plated	
⑥	Marking Strip	PA 66	94V-0		
⑦	Cover	Polycarbonate			Transparency



All-in-one design (Image)

OTP-9000 Series SCCR □□kA



All-in-one design (Image)

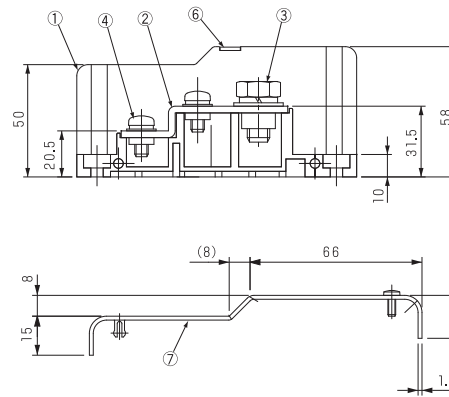
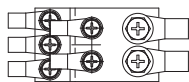


Figure of input and output

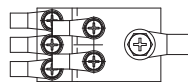
OTP-9000



Output M6×5 (Total 250A) Input M8×2 (Total 250A)

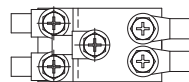
〔Recommended ring-terminal〕 R14-6

OTP-9000-M10



Output M6×5 (Total 250A) Input M10 (Total 250A)

OTP-9000-1



Output M8×3 (Total 250A) Input M8×2 (Total 250A)

Specifications (It is producible from 1 pole to 6 poles)

Electrical Rating	600V, 250A
Insulation Resistance	DC500V, 1000MΩ
Withstanding Voltage	AC2000V
Storage Temperature Rating	-40°C~+90°C
Usage Temperature Rating	-40°C~+90°C

Composition

No.	Part Name	Materials	UL Rating	Treatment	Remarks
①	Base	PBT	94V-0		Black
②	Terminal	Copper		Nickel Plated	
③	Bolt (M8)	Steel		Zinc plating trivalent chromate	
④	Screw	Steel		Zinc plating trivalent chromate	
⑤	Insert metal fitting	Brass		Nickel Plated	
⑥	Marking Strip	PA 66	94V-0		Gray
⑦	Cover	Polycarbonate			Transparency

This Page Intentionally Left Blank

High Power Terminal Block Jumpers

Brass/Nickel Plated Jumper



RoHS COMPLIANT

Part Number	Current Rating (A)	Pitch (mm)	Material	Thickness (mm)	Configuration	Minimum Order
OJ-11	30	11.0	Brass/Nickel Plated	0.8	2 Position	50 PCS
OSP-018	30	13.0		1.0	2 Position	
OSP-040	30	13.0		0.6	Vertical, 2 Position	
OSP-147	80	15.0		1.5	2 Position	
OSP-16	60	16.0		1.2	2 Position	
OSP-358	85	16.0		2.0	2 Position	
OSP-388	130	21.0		2.0	2 Position	
OSP-048L	150	27.0		2.0	2-3 Position	

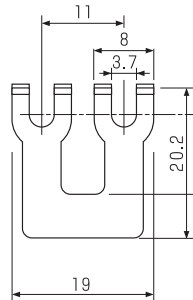
Only available with order of High Power Terminal Blocks.
Sample not available

High Power Terminal Block Jumpers

Brass/Nickel Plated Jumper

OJ-11

Ordering lot : 50pcs.



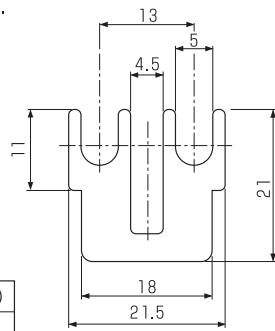
Material	Brass (t=0.8mm)
Surface Treatment	Nickel Plated

Rated Current 30A / For 11mm (terminal to terminal) models

- Applicable Terminal Block Models (OJ-11)
OK-020
- (Att) The point part in the bar is straight. OJ-11-S

OSP-018

Ordering lot : 50pcs.



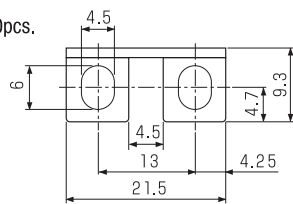
Material	Brass (t=1.0mm)
Surface Treatment	Nickel Plated

Rated Current 30A / For 13mm (terminal to terminal) models

- Applicable Terminal Block Models
OTB-330N

OSP-040

Ordering lot : 50pcs.



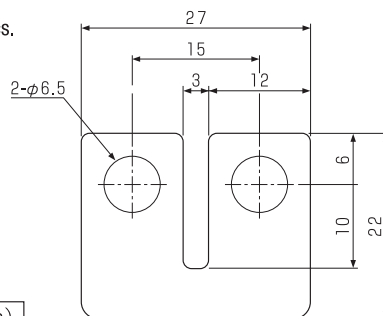
Material	Brass (t=0.6mm)
Surface Treatment	Nickel Plated

Rated Current 30A / For 13mm (terminal to terminal) models

- Applicable Terminal Block Models
OTB-330N

OSP-147

Ordering lot : 50pcs.



Material	Brass (t=1.5mm)
Surface Treatment	Nickel Plated

Rated Current 80A / For 15mm (terminal to terminal) models

- Applicable Terminal Block Models
OK-050

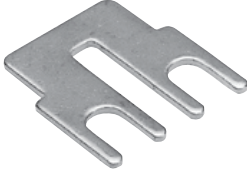
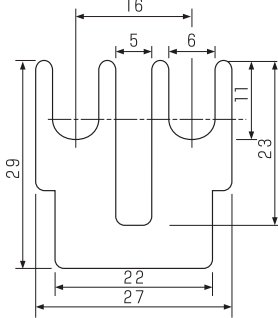
High Power Terminal Block Jumpers

Brass/Nickel Plated Jumper



OSP-16

Ordering lot : 50pcs.

Rated Current 60A / For 16mm (terminal to terminal) models


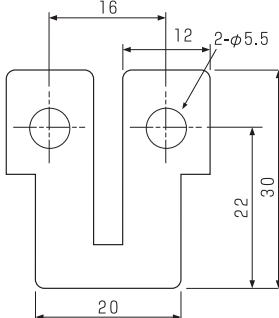
● Applicable Terminal Block Models

OTB-358N	OK-060
----------	--------

Material	Brass (t=1.2mm)
Surface Treatment	Nickel Plated

OSP-358

Ordering lot : 50pcs.

Rated Current 85A / For 16mm (terminal to terminal) models


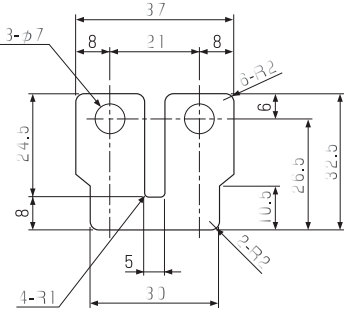
● Applicable Terminal Block Models

OTB-358N	OK-060
----------	--------

Material	Brass (t=2.0mm)
Surface Treatment	Nickel Plated

OSP-388

Ordering lot : 50pcs.

Rated Current 130A / For 21mm (terminal to terminal) models


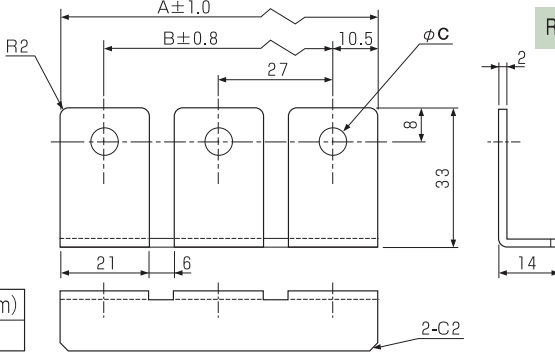
● Applicable Terminal Block Models

OTB-388	OTB-390
---------	---------

Material	Brass (t=2.0mm)
Surface Treatment	Nickel Plated

OSP-048L

Ordering lot : 50pcs.

Rated Current 150A / For 27mm (terminal to terminal) models

● Applicable Terminal Block Models

OTB-488	OTB-489	OTB-490
OK-0100		

Measurements List of A, B & φC
(P : Number of terminals)

P	1	2	3	φC	
A		48	75	φ6.5	φ8.5
B		27	54		

Material	Brass (t=2.0mm)
Surface Treatment	Nickel Plated