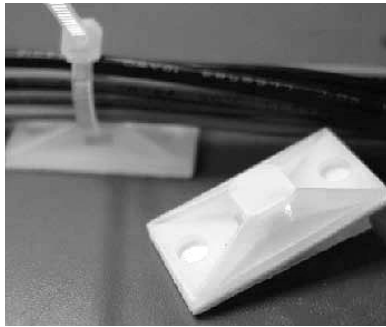


Plastic Flat Cable Tie Holders

Adhesive Mount, Optional Screw Mount



RoHS COMPLIANT

Specifications:

Material: Nylon 6/6
UL Rating: 94V-2
Color: Natural
Adhesive: 3M™ Form Tape
Screw*: M3 (Except Parts in Fig. 1)

Cable Ties on Page 113
**Screws Not Included*

Part Number	Figure	Ref. "A", mm [in.]	Ref. "B", mm [in.]	Ref. "C", mm [in.]	Max. Cable Tie Thickness "D", mm [in.]	Max. Cable Tie Width "T", mm [in.]	Standard Package
PCMAH-AB-2S	1	13.0 [0.512]	13.0 [0.512]	3.9 [0.154]	1.3 [0.051]	2.8 [0.110]	1000
PCMAH-AB-2		19.0 [0.748]	19.0 [0.748]	3.9 [0.154]	1.3 [0.051]	3.4 [0.134]	500
PCMAH-AB-3S	2	20.0 [0.787]	20.0 [0.787]	5.5 [0.217]	1.6 [0.063]	4.4 [0.173]	500
PCMAH-AB-3		28.3 [1.114]	28.3 [1.114]	5.9 [0.232]	1.8 [0.071]	5.0 [0.197]	200
PCMAH-AB-3P	3	24.0 [0.945]	12.0 [0.472]	4.5 [0.177]	2.0 [0.077]	4.0 [0.157]	500

Fig 1

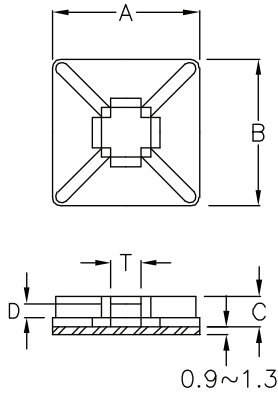


Fig 2

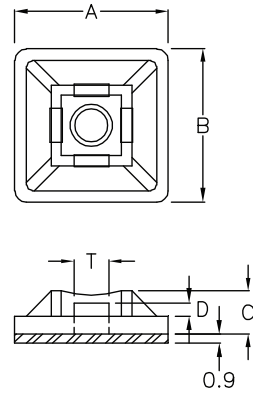
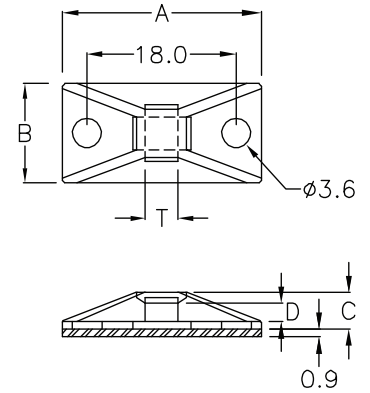
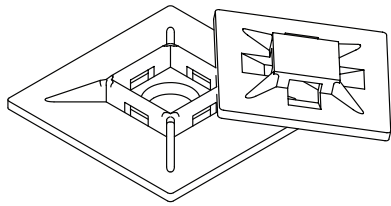


Fig 3



Plastic Flat Cable Tie Holders

Adhesive Mount, Optional Screw Mount



RoHS COMPLIANT

Specifications:

Material: Nylon 6/6
UL Rating: 94V-2
Color: Natural
Adhesive: Generic Form Tape
 3M™ VHB Tape
Screw*: M3

Cable Ties on Page 113
**Screws Not Included*

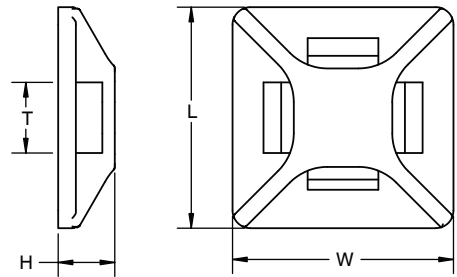


Fig. 1

Part Number	Figure	Length "L", mm [in.]	Width "W", mm [in.]	Height, mm [in.]	Cable Tie Width mm [in.]	Std. Package
PFTH-125	Fig. 1	12.5 [0.492]	12.5 [0.492]	3.2 [0.126]	3.2 [0.126]	1000
PFTH-180	Fig. 2	18.0 [0.709]	18.0 [0.709]	4.5 [0.177]	4.5 [0.177]	
PFTH-190	Fig. 3	19.0 [0.748]	19.0 [0.748]	3.9 [0.154]	4.5 [0.177]	
PFTH-210	Fig. 4	21.0 [0.827]	21.0 [0.827]	3.5 [0.138]	4.1 [0.161]	
PFTH-280	Fig. 3	28.0 [1.102]	28.0 [1.102]	5.3 [0.209]	5.0 [0.197]	
PFTH-292	N/A	29.2 [1.150]	29.2 [1.150]	5.4 [0.213]	5.0 [0.197]	

Screw Mounting Information

Part Number	Mounting Hole Diameter, mm [in.]
PFTH-125	N/A
PFTH-180	5.0 [0.197]
PFTH-190	3.2 [0.126]
PFTH-210	N/A
PFTH-280	5.0 [0.197]
PFTH-292	5.0 [0.197]

Fig. 2

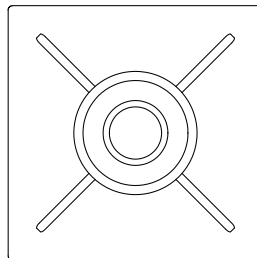


Fig. 3

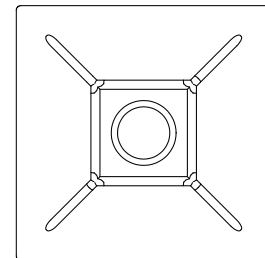
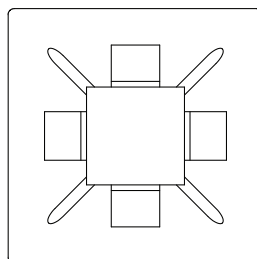
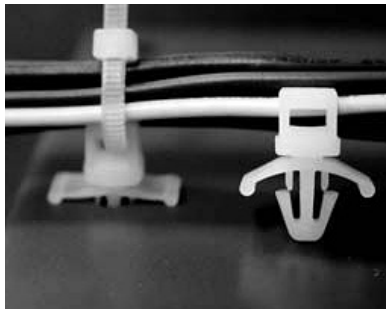


Fig. 4



Plastic Cable Tie Holders Snap-In Arrowhead Mount

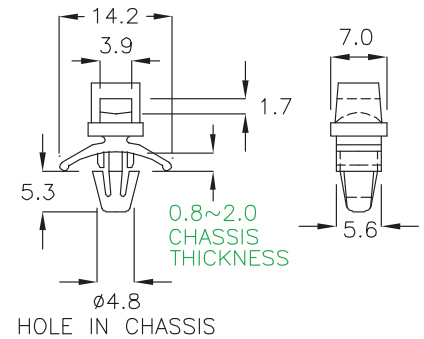


RoHS COMPLIANT

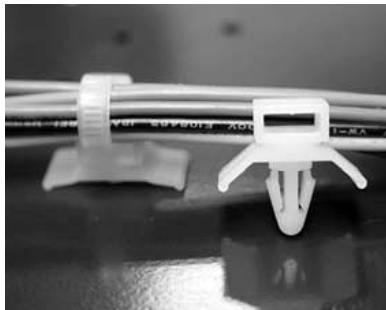
Specifications:

Material: Nylon 6/6
UL Rating: 94V-2
Color: Natural

Cable Ties on Page 113



Part Number	Standard Package
Chassis Thickness = 0.8 - 2.0 mm [0.031 - 0.079 in.]	
Mounting Hold Dia. = ϕ 4.8 mm [0.189 in.]	
To Fit Cable Tie Max. Width x Thickness = 3.9 x 1.7 mm [0.154 x 0.067 in.]	
PCMS-PYL-1	1000

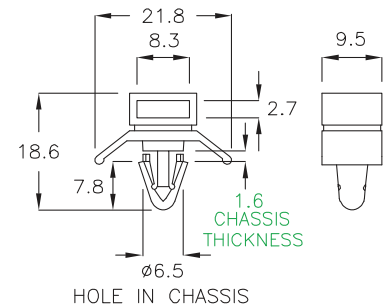


RoHS COMPLIANT

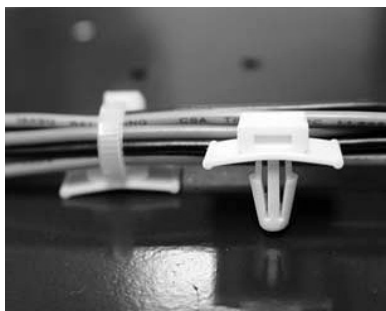
Specifications:

Material: Nylon 6/6
UL Rating: 94V-2
Color: Natural

Cable Ties on Page 113



Part Number	Standard Package
Chassis Thickness = 1.6 mm [0.063 in.]	
Mounting Hold Dia. = ϕ 6.5 mm [0.256 in.]	
To Fit Cable Tie Max. Width x Thickness = 8.3 x 2.7 mm [0.327 x 0.106 in.]	
PCMS-PYL-6	500

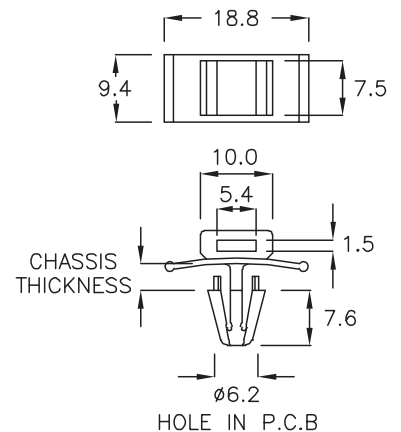


RoHS COMPLIANT

Specifications:

Material: Nylon 6/6
UL Rating: 94V-2
Color: Natural

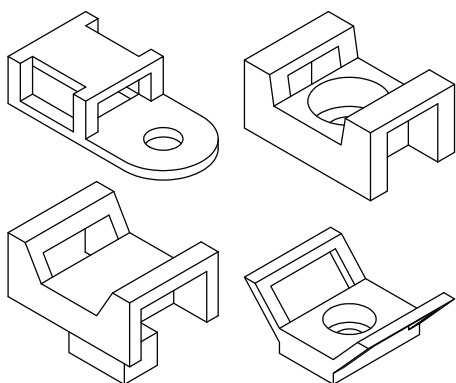
Cable Ties on Page 113



Part Number	Standard Package
Chassis Thickness = 3.2 mm [0.126 in.]	
Mounting Hold Dia. = ϕ 6.2 mm [0.244 in.]	
To Fit Cable Tie Max. Width x Thickness = 5.4 x 1.5 mm [0.213 x 0.059 in.]	
PCMS-PYLA-1	500

Plastic Cable Tie Holders

Screw Secured Mount/Quarter Turn Mount



RoHS COMPLIANT

Specifications:

Material: Nylon 6/6
UL Rating: 94V-2
Color: Natural
 Black (Special Order)

Cable Ties on Page 113

Screw Mounting Information

Part Number	Figure	Height "H", mm [in.]	Length "L", mm [in.]	Width "W", mm [in.]	Cable Tie Width mm [in.]	Pkg.
PTH-A	Fig. 1	5.0 [0.197]	19.0 [0.748]	9.5 [0.374]	5.0 [0.197]	1000
PTH-B	Fig. 2	7.0 [0.276]	15.0 [0.591]	10.0 [0.394]	5.0 [0.197]	
PTH-C	Fig. 2	9.0 [0.354]	23.0 [0.906]	16.0 [0.630]	9.0 [0.354]	
PTH-D	Fig. 3	17.5 [0.689]	23.0 [0.906]	13.8 [0.543]	9.5 [0.374]	
PTH-E	Fig. 3	11.6 [0.457]	30.0 [1.181]	14.7 [0.579]	9.3 [0.366]	
PTH-F	Fig. 4	9.7 [0.382]	21.3 [0.839]	15.5 [0.610]	7.8 [0.307]	

Part Number	Mounting Hole Diameter "B", mm [in.]
PTH-A	3.4 [0.134]
PTH-B	3.0 [0.118]
PTH-C	5.0 [0.197]
PTH-D	5.3 [0.209]
PTH-E	5.2 [0.205]
PTH-F	5.8 [0.228] x 9.7 [0.382] Quarter-Turn Mount

Fig. 1

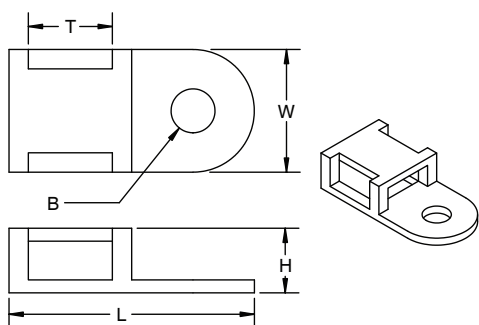


Fig. 2

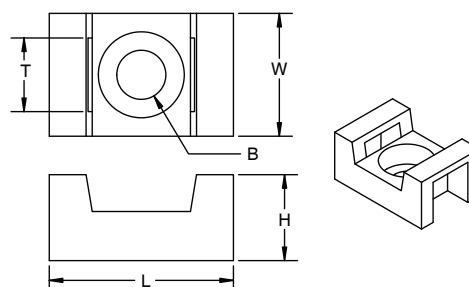


Fig. 3

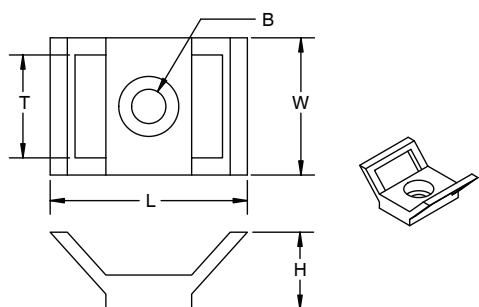
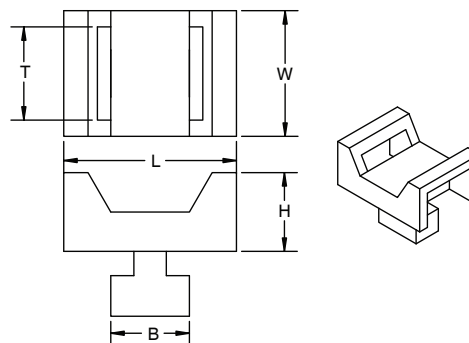
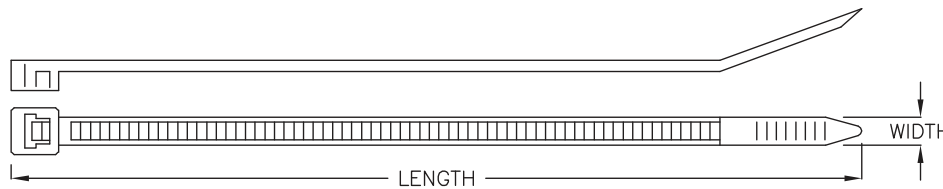


Fig. 4



Plastic Cable Ties



RoHS COMPLIANT



Specifications:

Material:	Nylon 6/6
UL Rating:	94V-2
Color:	Natural
UL Listed:	All Part Numbers

Available only with purchase of Cable Tie Bases

Part Number	Length, mm [in.]	Width, mm [in.]	Max. Bundle Dia., mm [in.]	Min. Loop Tensile Strength, Kgs [Lbs.]	Std. Pkg.
CT-YJ-80	80 [3.15]	2.2 [0.087]	17 [0.67]	8 [18]	1000
CT-YJ-90	90 [3.54]	2.5 [0.098]	21 [0.83]	8 [18]	1000
CT-YJ-98	98 [3.86]	2.5 [0.098]	22 [0.87]	8 [18]	1000
CT-YJ-100	100 [3.94]	2.5 [0.098]	23 [0.91]	8 [18]	1000
CT-YJ-102	102 [4.02]	3.6 [0.142]	22 [0.87]	18 [40]	500
CT-YJ-115	115 [4.53]	4.8 [0.189]	29 [1.14]	23 [51]	500
CT-YJ-120	120 [4.72]	2.5 [0.098]	30 [1.18]	8 [18]	1000
CT-YJ-122	122 [4.80]	3.6 [0.142]	29 [1.14]	18 [40]	500
CT-YJ-140	140 [5.51]	4.8 [0.189]	34 [1.34]	23 [51]	500
CT-YJ-142	142 [5.59]	3.6 [0.142]	34 [1.34]	18 [40]	500
CT-YJ-142S	142 [5.59]	2.5 [0.098]	36 [1.42]	8 [18]	1000
CT-YJ-148	148 [5.83]	4.8 [0.189]	36 [1.42]	54 [119]	100
CT-YJ-160	160 [6.30]	2.5 [0.098]	42 [1.65]	8 [18]	1000
CT-YJ-162	162 [6.38]	4.8 [0.189]	42 [1.65]	23 [51]	500
CT-YJ-163	163 [6.42]	3.6 [0.142]	40 [1.57]	18 [40]	500
CT-YJ-178	178 [7.01]	9.0 [0.354]	45 [1.77]	80 [176]	100
CT-YJ-181	181 [7.13]	2.5 [0.098]	49 [1.93]	8 [18]	1000
CT-YJ-182	182 [7.17]	7.6 [0.299]	46 [1.81]	54 [119]	100
CT-YJ-185	185 [7.28]	3.6 [0.142]	47 [1.85]	18 [40]	500
CT-YJ-188	188 [7.40]	4.8 [0.189]	49 [1.93]	23 [51]	500
CT-YJ-201	201 [7.91]	4.8 [0.189]	53 [2.09]	23 [51]	500
CT-YJ-203	203 [7.99]	3.6 [0.142]	55 [2.17]	18 [40]	500
CT-YJ-203S	203 [7.99]	2.5 [0.098]	56 [2.20]	8 [18]	1000
CT-YJ-215	215 [8.46]	7.6 [0.299]	59 [2.32]	54 [119]	100
CT-YJ-216	216 [8.50]	4.8 [0.189]	58 [2.28]	23 [51]	500
CT-YJ-229	229 [9.02]	9.0 [0.354]	61 [2.40]	80 [176]	100
CT-YJ-232	232 [9.13]	3.6 [0.142]	63 [2.48]	18 [40]	500
CT-YJ-242	242 [9.53]	4.8 [0.189]	66 [2.60]	23 [51]	500
CT-YJ-254	254 [10.00]	7.6 [0.299]	71 [2.80]	54 [119]	100
CT-YJ-263	263 [10.35]	3.6 [0.142]	73 [2.87]	18 [40]	500
CT-YJ-266	266 [10.47]	4.8 [0.189]	72 [2.83]	23 [51]	500
CT-YJ-280	280 [11.02]	9.0 [0.354]	77 [3.03]	80 [176]	100
CT-YJ-292	292 [11.50]	4.8 [0.189]	82 [3.23]	23 [51]	500
CT-YJ-293	293 [11.54]	7.6 [0.299]	84 [3.31]	54 [119]	100
CT-YJ-295	295 [11.61]	3.6 [0.142]	83 [3.27]	18 [40]	500
CT-YJ-329	329 [12.95]	9.0 [0.354]	93 [3.66]	80 [176]	100
CT-YJ-330	330 [12.99]	4.8 [0.189]	93 [3.66]	23 [51]	500
CT-YJ-331	331 [13.03]	3.6 [0.142]	96 [3.78]	18 [40]	500

Part Number	Length, mm [in.]	Width, mm [in.]	Max. Bundle Dia., mm [in.]	Min. Loop Tensile Strength, Kgs [Lbs.]	Std. Pkg.
CT-YJ-332	332 [13.07]	7.6 [0.299]	95 [3.74]	54 [119]	100
CT-YJ-368	368 [14.49]	4.8 [0.189]	106 [4.17]	23 [51]	500
CT-YJ-368L	368 [14.49]	7.6 [0.299]	109 [4.29]	54 [119]	100
CT-YJ-370	370 [14.57]	3.6 [0.142]	108 [4.25]	18 [40]	500
CT-YJ-382	382 [15.04]	9.0 [0.354]	110 [4.33]	80 [176]	100
CT-YJ-410	410 [16.14]	4.8 [0.189]	122 [4.80]	23 [51]	500
CT-YJ-420	420 [16.54]	7.6 [0.299]	124 [4.88]	54 [119]	100
CT-YJ-450	450 [17.72]	4.8 [0.189]	135 [5.31]	23 [51]	500
CT-YJ-458	458 [18.03]	9.0 [0.354]	135 [5.31]	80 [176]	100
CT-YJ-470	470 [18.50]	7.6 [0.299]	140 [5.51]	54 [119]	100
CT-YJ-520	520 [20.47]	7.6 [0.299]	156 [6.14]	54 [119]	100
CT-YJ-530	530 [20.87]	9.0 [0.354]	155 [6.10]	80 [176]	100
CT-YJ-655	655 [25.79]	9.0 [0.354]	194 [7.64]	80 [176]	100
CT-YJ-780	780 [30.71]	9.0 [0.354]	234 [9.21]	80 [176]	100
CT-YJ-815	815 [32.09]	9.0 [0.354]	247 [9.72]	80 [176]	100

all dimension units in millimeter (mm) unless noted otherwise

www.vaisis.com | P: 626-795-6696 | F: 626-795-6896 | Email: sales@vaisis.com

Vaisis