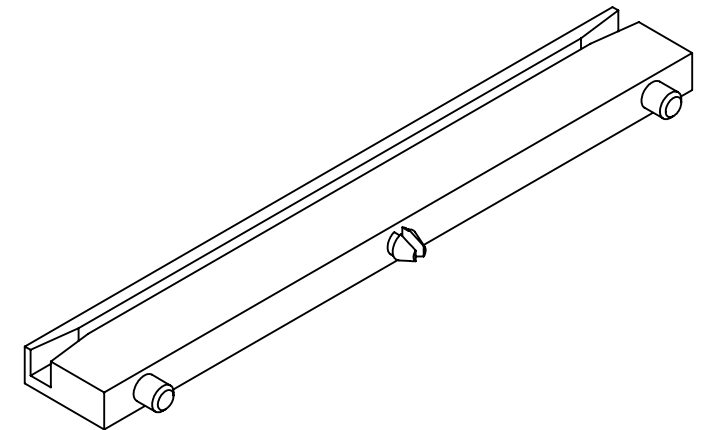



HOLE IN CHASSIS:  
MAX CHASSIS THICKNESS 1.2MM



				DESCRIPTION NYLON HORIZONTAL CARD GUIDE		 THIRD ANGLE PROJECTION		<b>Vaisis</b> <a href="http://www.vaisis.com">www.vaisis.com</a>	
DWG DIMENSIONS UNLESS NOTED				DWG. No.	PART No.	DWN	DATE	CHKD	DATE
MM [INCH]				DW-CBG-CG-11K	CBG-CG-11K	YW	2/18/2011	YW	2/22/2011
TOLERANCES UNLESS NOTED				MATERIAL	COLOR	SCALE	SHEET SIZE	SHEET No.	
.X=±0.20 [0.008]				NYLON 66	BLACK	1:1	A	1 OF 1	
.XX=±0.10 [0.004]									
FRAC=±1/64 ANG=1°									
A	INITIAL RELEASE	2/22/2011	GC						
REV.	DESCRIPTION	DATE	APPROVED						