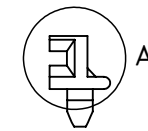
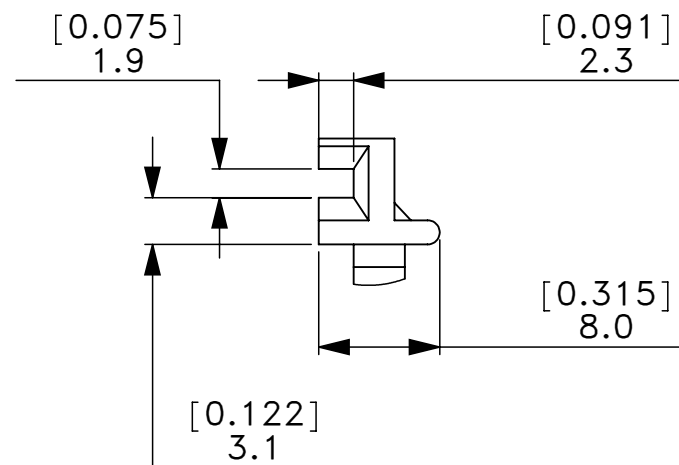
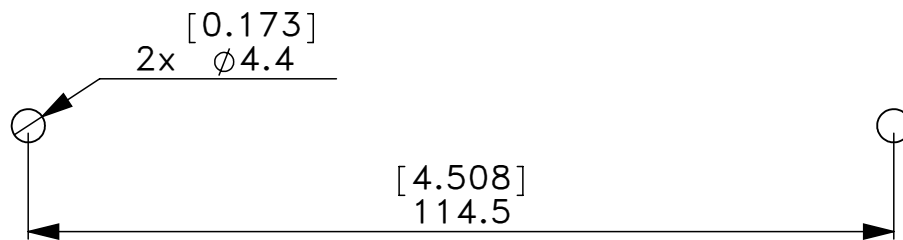


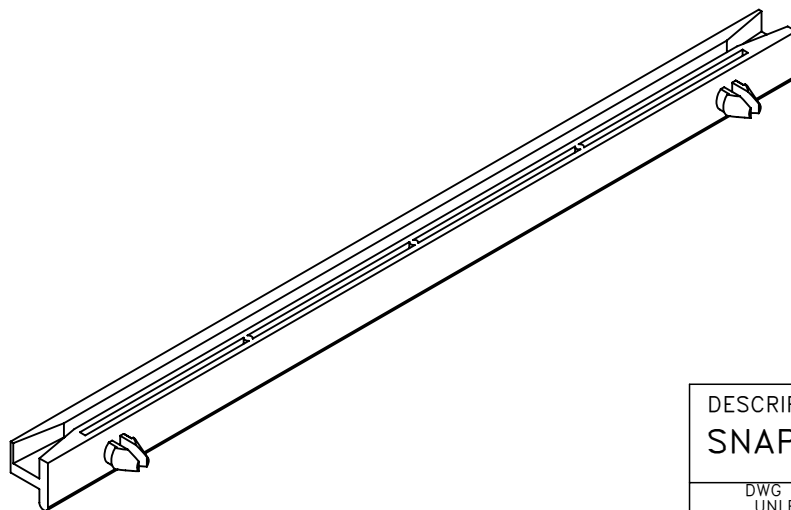
MAX CHASSIS THICKNESS: 1.5MM




HOLE IN CHASSIS



DETAIL A  
SCALE 2 : 1



DESCRIPTION				SNAP IN HORIZONTAL CARD GUIDE		 THIRD ANGLE PROJECTION		<b>Vaisis</b> <a href="http://www.vaisis.com">www.vaisis.com</a>	
DWG DIMENSIONS UNLESS NOTED		DWG. No.	PART No.	DWN	DATE	CHKD	DATE		
MM [INCH]		DW-CBG-CG-14H	CBG-CG-14H	YW	2/18/2011	YW	2/22/2011		
TOLERANCES UNLESS NOTED		MATERIAL	COLOR	SCALE	SHEET SIZE	SHEET No.			
.X=±0.20 [0.008]		NYLON 66	BLACK	1:1	A	1 OF 1			
.XX=±0.10 [0.004]									
FRAC=±1/64 ANG=1°									

A	INITIAL RELEASE	2/18/2011	GC
REV.	DESCRIPTION	DATE	APPROVED