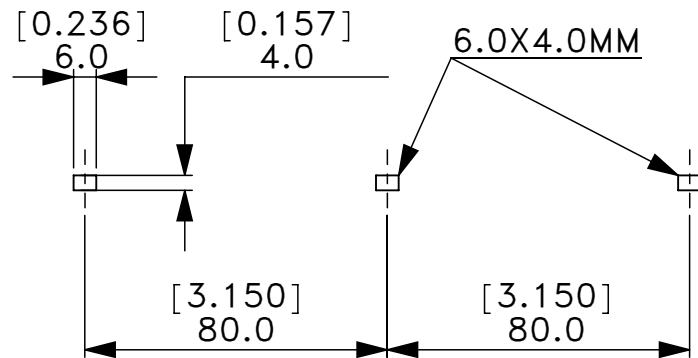
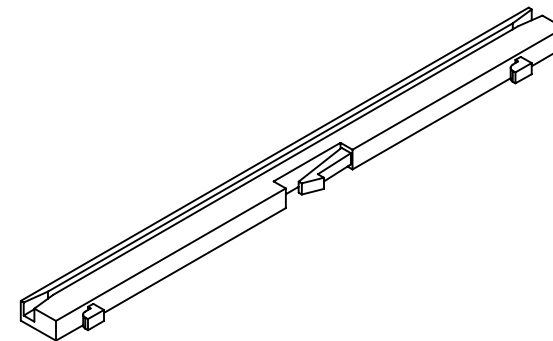



DETAIL A  
SCALE 1 : 1



HOLE IN CHASSIS  
MAX CHASSIS THICKNESS: 1.0MM



				DESCRIPTION <b>RELEASABLE SNAP IN CARD GUIDE</b>			 THIRD ANGLE PROJECTION		<b>Vaisis</b> <a href="http://www.vaisis.com">www.vaisis.com</a>	
DWG DIMENSIONS UNLESS NOTED				DWG. No.	PART No.	DWN	DATE	CHKD	DATE	
MM [INCH]				DW-CBG-CG-16C	CBG-CG-16C	YW	2/18/2011	YW	2/22/2011	
TOLERANCES UNLESS NOTED				MATERIAL	COLOR	SCALE	SHEET SIZE	SHEET No.		
.X=±0.20 [0.008] .XX=±0.10 [0.004] FRAC=±1/64 ANG=1°				NYLON 66	BLACK	1:2	<b>A</b>	1 OF 1		
A	INITIAL RELEASE	2/18/2011	GC							
REV.	DESCRIPTION	DATE	APPROVED							