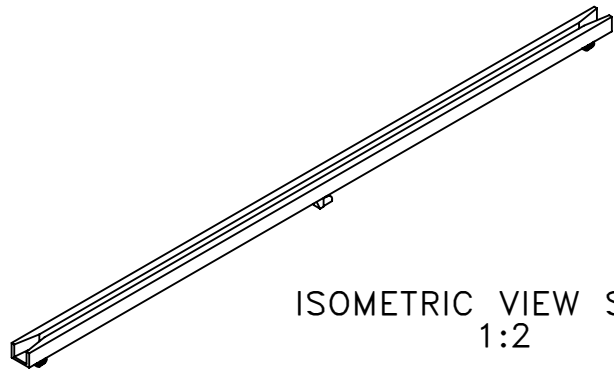
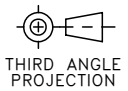


HOLE IN CHASSIS



DESCRIPTION SNAP IN CARD GUIDE				 THIRD ANGLE PROJECTION		Vaisis www.vaisis.com	
DWG DIMENSIONS UNLESS NOTED MM [INCH]		DWG. No. DW-CBG-CG-21C	PART No. CBG-CG-21C	DWN YW	DATE 2/24/2011	CHKD YW	DATE 2/24/2011
TOLERANCES UNLESS NOTED .X=±0.20 [0.008] .XX=±0.10 [0.004] FRAC=±1/64 ANG=1°	MATERIAL NYLON 66	COLOR BLACK	SCALE 1:1	SHEET SIZE A	SHEET No. 1 OF 1		

A	INITIAL RELEASE	2/24/2011	GC
REV.	DESCRIPTION	DATE	APPROVED