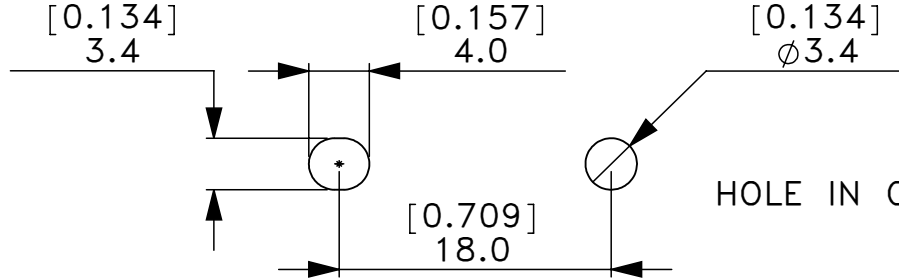
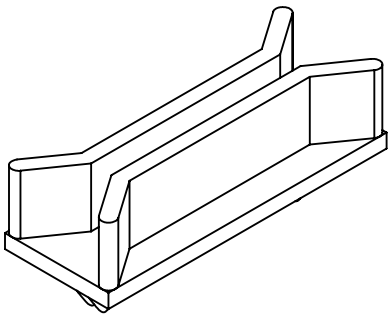
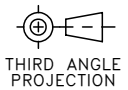


MAX CHASSIS THICKNESS: 1.2 [0.047]



HOLE IN CHASSIS



				DESCRIPTION SNAP IN CARD GUIDE		 THIRD ANGLE PROJECTION		Vaisis www.vaisis.com	
DWG DIMENSIONS UNLESS NOTED				DWG. No.	PART No.	DWN	DATE	CHKD	DATE
MM [INCH]				DW-CBG-CG-2A	CBG-CG-2A	YW	2/22/2011	YW	2/22/2011
A	INITIAL RELEASE	2/22/2011	GC	TOLERANCES UNLESS NOTED	MATERIAL	COLOR	SCALE	SHEET SIZE	SHEET No.
REV.	DESCRIPTION	DATE	APPROVED	.X=±0.20 [0.008] .XX=±0.10 [0.004] FRAC=±1/64 ANG=1°	NYLON 66	NATURAL	2:1	A	1 OF 1