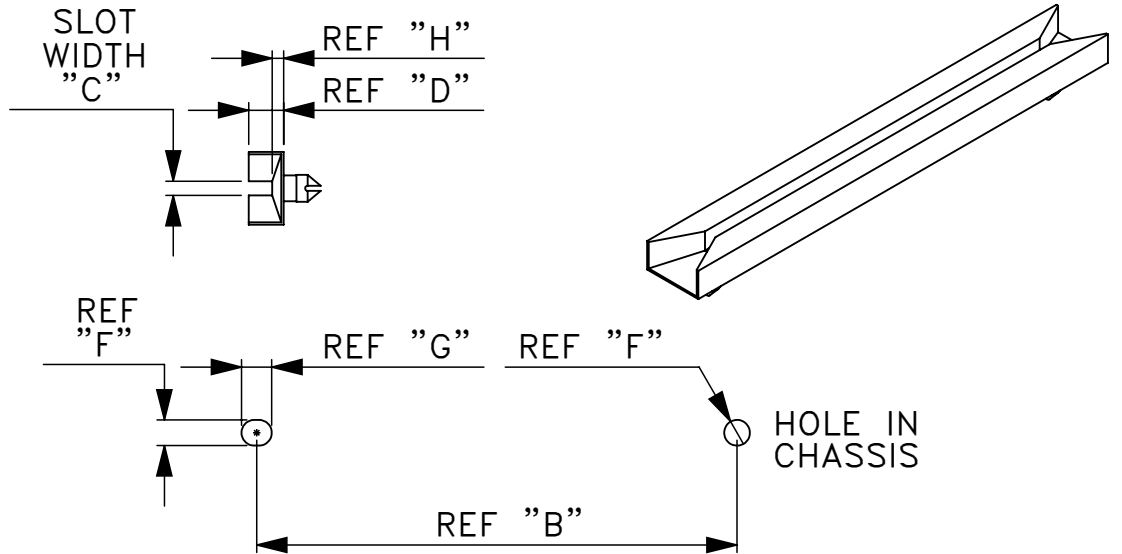
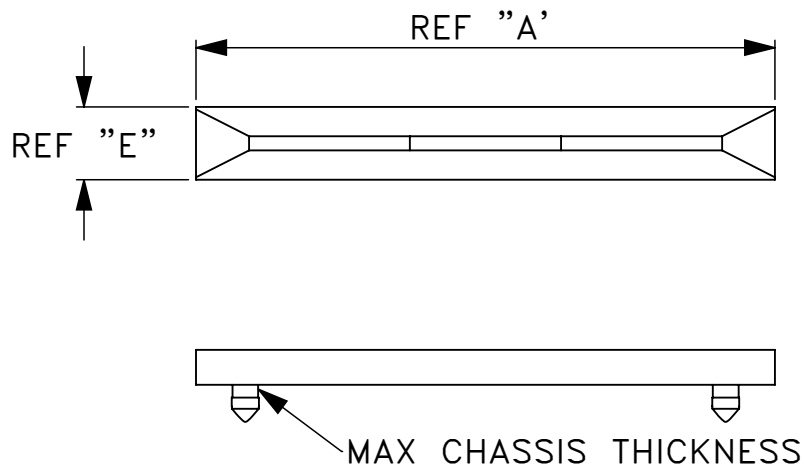



ALL DIMENSIONS: MM									
PART NO	REF "A"	REF "B"	SLOT WIDTH "C"	REF "D"	REF "E"	REF "F"	REF "G"	REF "H"	MAX CHASSIS THICKNESS
CBG-CG-3A	38.0	25.4	1.9	4.6	9.6	3.4	4.0	1.5	1.2
CBG-CG-5A	50.8	38.0	2.3	4.6	9.6	3.4	4.0	1.5	1.1
CBG-CG-7A	76.6	63.5	2.2	4.6	10.0	3.4	4.0	1.4	1.2
CBG-CG-7C	76.6	63.5	2.1	4.1	10.0	3.4	4.0	1.1	1.2
CBG-CG-9A	89.7	76.7	1.9	4.5	9.7	3.4	4.0	1.5	1.2
CBG-CG-9F	89.2	76.7	2.3	4.4	6.4	3.4	4.0	1.1	1.2
CBG-CG-10A	102.1	89.5	2.2	4.6	6.3	3.4	4.0	1.1	1.2
CBG-CG-10M	100.0	70.0	2.0	4.3	7.5	4.8	6.0	2.3	1.1
CBG-1G-10P	100.0	70.0	2.0	4.3	7.5	4.8	6.4	1.5	1.2
CBG-CG-12D	114.3	88.9	1.9	6.4	6.4	4.8	5.5	1.3	1.2
CBG-CG-13A	127.0	101.6	2.3	4.6	6.4	3.4	4.0	1.1	1.5
CBG-CG-13C	110.0	101.6	2.9	4.6	6.4	3.4	4.0	1.1	1.2
CBG-CG-14A	136.0	114.5	2.2	4.6	6.3	3.4	4.0	1.1	1.5
CBG-CG-15C	153.8	141.6	2.1	4.8	6.5	3.4	4.0	1.4	1.2
CBG-CG-18A	181.1	161.3	2.0	4.6	6.5	3.4	4.6	1.2	1.2
CBG-CG-19A	191.1	177.0	2.0	5.5	6.4	3.4	4.0	1.8	1.2
CBG-CG-21A	217.8	205.0	2.0	4.6	6.6	3.4	4.0	1.2	1.0
CBG-CG-21B	218.7	205.0	2.2	7.7	6.6	3.4	4.0	1.3	1.2



DESCRIPTION <b>SNAP IN CARD GUIDE</b>				 THIRD ANGLE PROJECTION		<b>Vaisis</b> <a href="http://www.vaisis.com">www.vaisis.com</a>			
								DWG DIMENSIONS UNLESS NOTED MM [INCH]	DWG. No. DW-CBG-CG-3A
A	INITIAL RELEASE	2/22/2011	GC	TOLERANCES UNLESS NOTED .X=±0.20 [0.008] .XX=±0.10 [0.004] FRAC=±1/64 ANG=1°	MATERIAL NYLON 66	COLOR NATURAL	SCALE 1:1	SHEET SIZE A	SHEET No. 1 OF 1
REV.	DESCRIPTION	DATE	APPROVED						