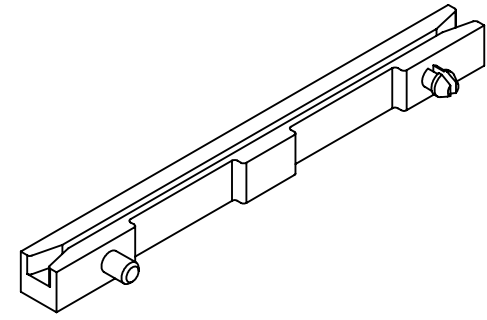
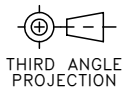


HOLE IN CHASSIS



ISOMETRIC VIEW SCALE  
1:1

|                             |                 |           |          |  |           |   |            |   |           |
|-----------------------------|-----------------|-----------|----------|--|-----------|---|------------|---|-----------|
|                             |                 |           |          | DESCRIPTION<br>SNAP IN HORIZONTAL CARD GUIDE |           | <br>THIRD ANGLE PROJECTION |            | <b>Vaisis</b><br><a href="http://www.vaisis.com">www.vaisis.com</a> |           |
| DWG DIMENSIONS UNLESS NOTED |                 |           |          | DWG. No.                                     | PART No.  | DWN   | DATE       | CHKD  | DATE      |
| MM [INCH]                   |                 |           |          | DW-CBG-CG-8K                                 | CBG-CG-8K | YW  | 2/16/2011  | YW  | 2/16/2011 |
| TOLERANCES UNLESS NOTED     |                 |           |          | MATERIAL                                     | COLOR     | SCALE   | SHEET SIZE | SHEET No.   |           |
| .X=±0.20 [0.008]            |                 |           |          | NYLON 66                                     | BLACK     | 2:1   | A          | 1 OF 1  |           |
| .XX=±0.10 [0.004]           |                 |           |          |  |           |   |            |   |           |
| FRAC=±1/64 ANG=1°           |                 |           |          |  |           |   |            |   |           |
| A                           | INITIAL RELEASE | 2/16/2011 | GC       |  |           |   |            |   |           |
| REV.                        | DESCRIPTION     | DATE      | APPROVED |  |           |   |            |   |           |