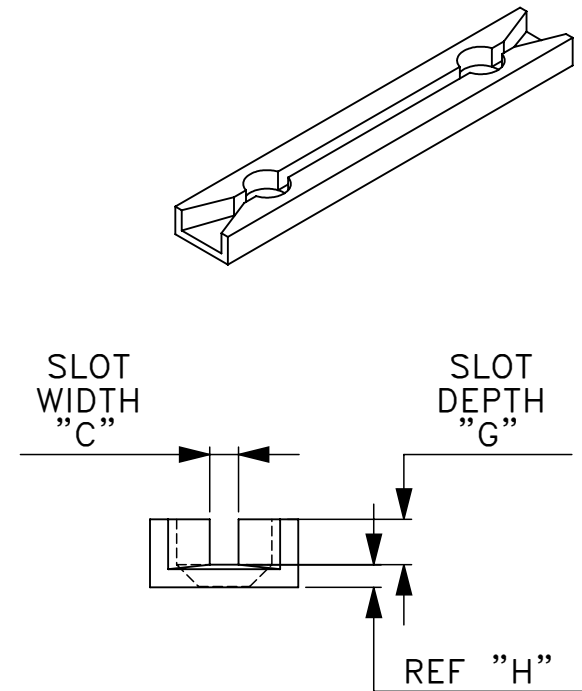
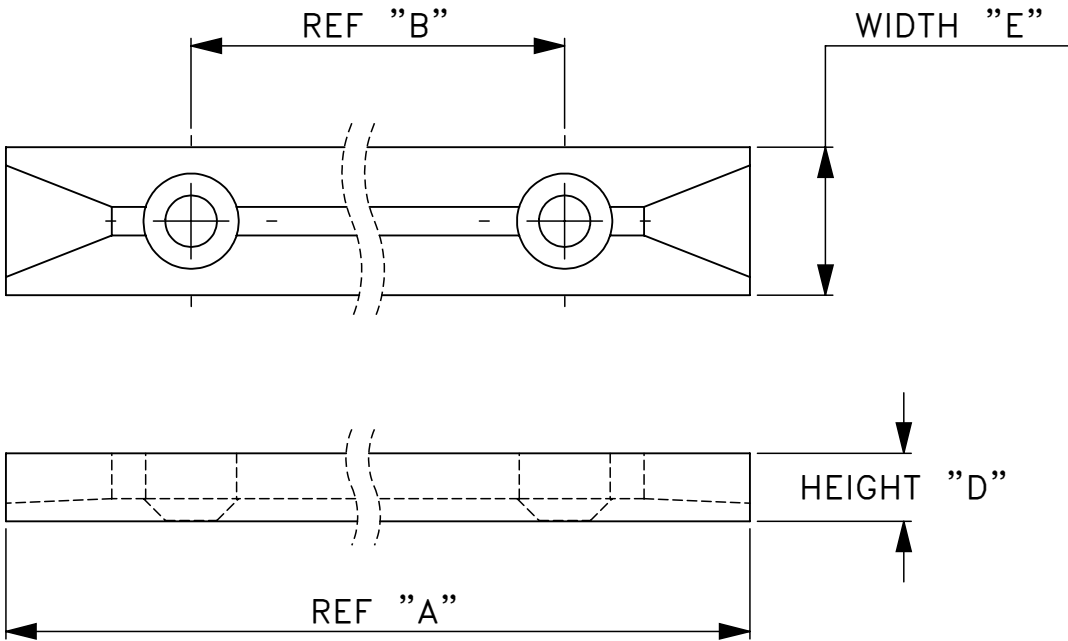
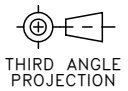


ALL DIMENSIONS: MM							
PART NUMBER	REF "A"	REF "B"	SLOT "C" WIDTH	SLOT "G" DEPTH	HEIGHT "D"	WIDTH "E"	REF "H"
CBG-CG-9	89.0	64.5	1.9	3.0	4.5	9.8	1.5
CBG-CG-9AS	100	77.4	2.2	5.5	7.2	10.0	1.7
CBG-CG-9L	91.0	67.0	1.9	7.2	8.8	9.2	1.6
CBG-CG-12	119.0	94.5	1.9	3.0	4.5	9.8	1.5
CBG-CG-14	139.8	114.5	1.9	2.8	4.3	9.7	1.5
CBG-CG-16	158.7	135.0	1.9	2.8	4.3	9.7	1.5
CBG-CG-18	180.0	150.0	3.5	6.0	9.0	12.0	3.0



MOUNTING SCREW:
M3X6MM FLAT HEAD
(SCREW NOT INCLUDED)

DESCRIPTION		NYLON CARD GUIDE SCREW MOUNT		 THIRD ANGLE PROJECTION		Vaisis www.vaisis.com	
DWG DIMENSIONS UNLESS NOTED		DWG. No.	PART No.	DWN	DATE	CHKD	DATE
MM [INCH]		DW-CBG-CG-9	SEE TABLE	YW	2/14/2011	YW	2/14/2011
TOLERANCES UNLESS NOTED		MATERIAL	COLOR	SCALE	SHEET SIZE	SHEET No.	
.X=±0.20 [0.008] .XX=±0.10 [0.004] FRAC=±1/64 ANG=1°		NYLON 66	NATURAL	2:1	A	1 OF 1	

A	INITIAL RELEASE	2/14/2011	GC
REV.	DESCRIPTION	DATE	APPROVED