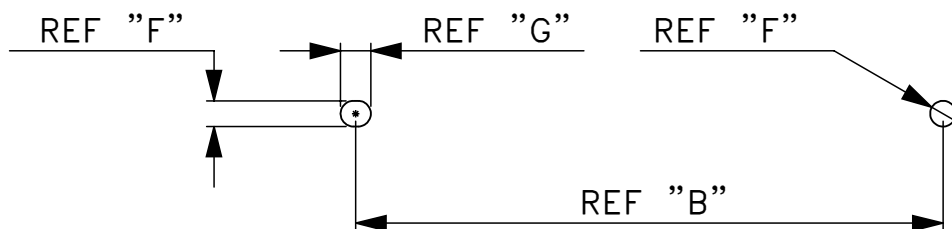
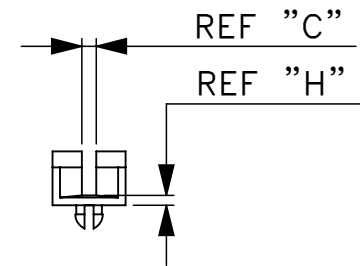
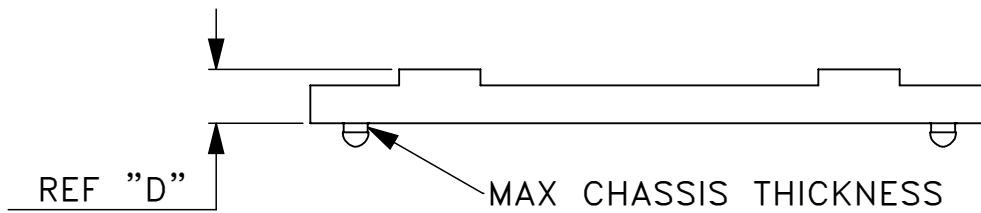
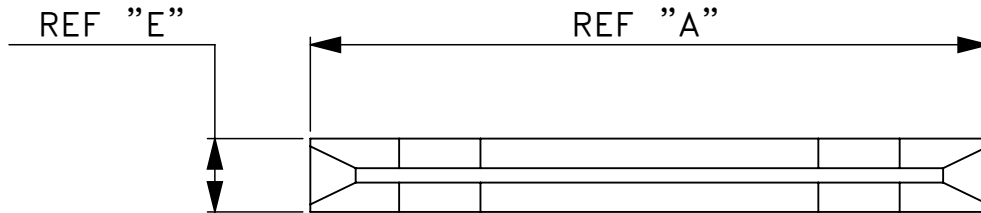
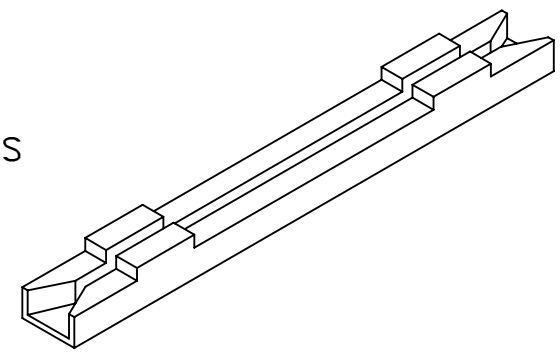


ALL DIMENSIONS: MM

PART NO	REF "A"	REF "B"	CLOT WIDTH "C"	REF "D"	REF "E"	REF "F"	REF "G"	REF "H"	MAX CHASSIS THICKNESS
CBG-CG-9AW	89.7	76.7	7.9	11.6	9.7	3.4	4.0	1.3	1.2
CBG-CG-9D	89.7	76.8	1.9	7.1	9.5	3.4	4.0	1.4	1.2



HOLE IN CHASSIS



				DESCRIPTION			THIRD ANGLE PROJECTION		Vaisis www.vaisis.com	
				DWG DIMENSIONS UNLESS NOTED	DWG. No.	PART No.	DWN	DATE	CHKD	DATE
				MM [INCH]	DW-CBG-CG-9AW	SEE TABLE	YW	2/22/2011	YW	2/22/2011
A	INITIAL RELEASE	2/22/2011	GC	TOLERANCES UNLESS NOTED	MATERIAL	COLOR	SCALE	SHEET SIZE	SHEET No.	
REV.	DESCRIPTION	DATE	APPROVED	.X=±0.20 [0.008] .XX=±0.10 [0.004] FRAC=±1/64 ANG=1°	NYLON 66	NATURAL	1:1	A	1 OF 1	