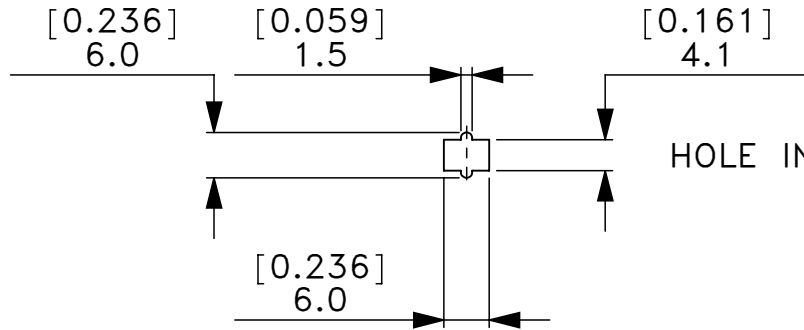
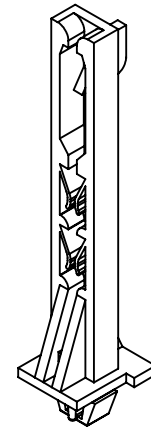
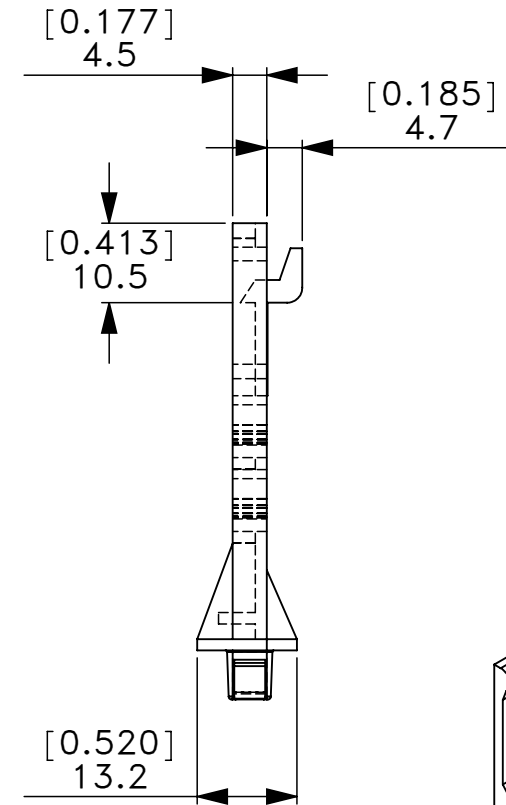


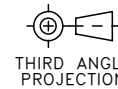
PCB SLOT DIMENSION



HOLE IN CHASSIS

MAX CHASSIS THICKNESS:
1.6 [0.063]

DESCRIPTION
VERTICAL SNAP IN CARD GUIDE



Vaisis
www.vaisis.com

DWG DIMENSIONS
UNLESS NOTED

DWG. No.
DW-CBG-HCG-5

PART No.
CBG-HCG-5

DWN
YW

DATE
2/25/2011

CHKD
YW

DATE
2/25/2011

TOLERANCES UNLESS NOTED
.X=±0.20 [0.008]
.XX=±0.10 [0.004]
FRAC=±1/64 ANG=1°

MATERIAL
NYLON 66

COLOR
NATURAL

SCALE
1:1

SHEET SIZE
A

SHEET No.
1 OF 1

A	INITIAL RELEASE	2/25/2011	GC
REV.	DESCRIPTION	DATE	APPROVED