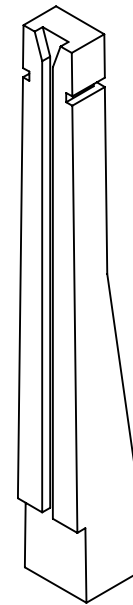
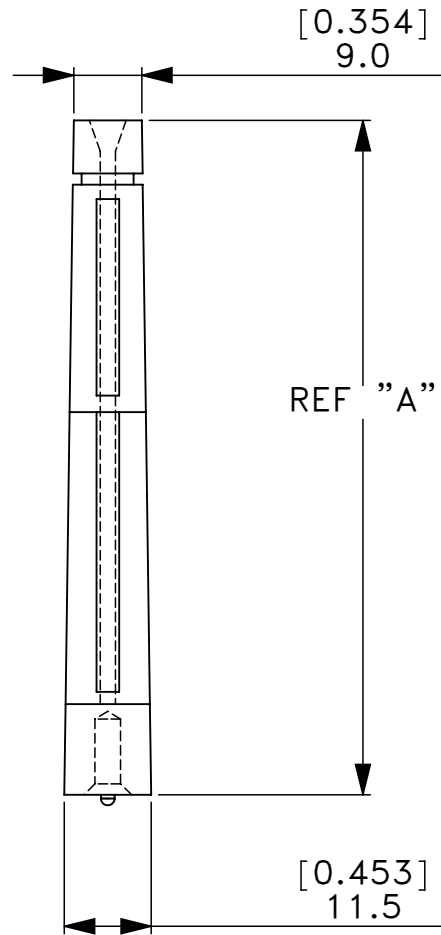
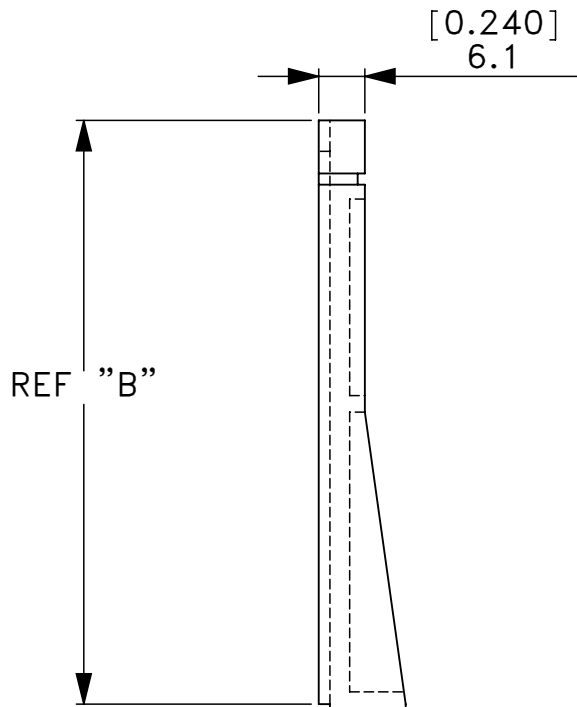


ALL DIMENSIONS: MM

PART NO	REF "A"	REF "B"
CBG-HCG-9	89.2	77.2
CBG-HCG-13	130.0	118.5



MOUNTING SCREW:
METRIC M3X10MM

[0.138]
Ø3.5

[0.071]
Ø1.8

HOLE IN CHASSIS

[0.177]
4.5

DESCRIPTION
VERTICAL SCREW MOUNT CARD
GUIDE



Vaisis
www.vaisis.com

DWG DIMENSIONS UNLESS NOTED		DWG. No.	PART No.	DWN	DATE	CHKD	DATE
MM [INCH]		DW-CBG-HCG-9	SEE TABLE	YW	2/28/2011	YW	2/28/2011
TOLERANCES UNLESS NOTED		MATERIAL	COLOR	SCALE	SHEET SIZE	SHEET No.	
.X=±0.20 [0.008] .XX=±0.10 [0.004] FRAC=±1/64 ANG=1°		NYLON 66	NATURAL	1:1	A	1 OF 1	

A	INITIAL RELEASE	2/28/2011	GC
REV.	DESCRIPTION	DATE	APPROVED