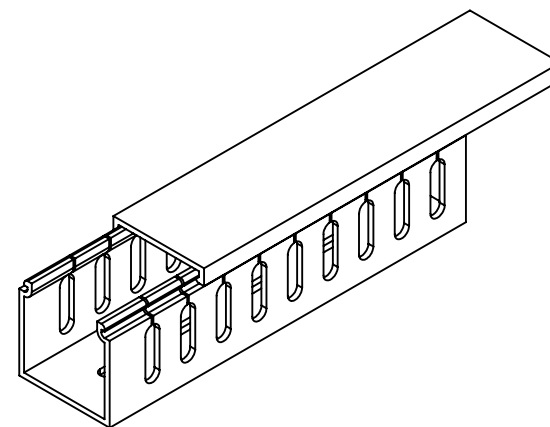
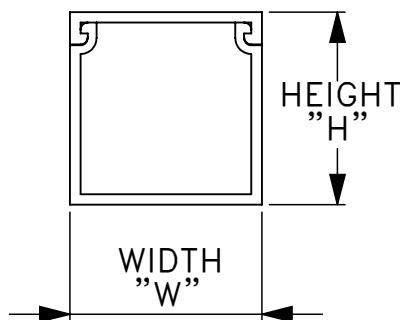
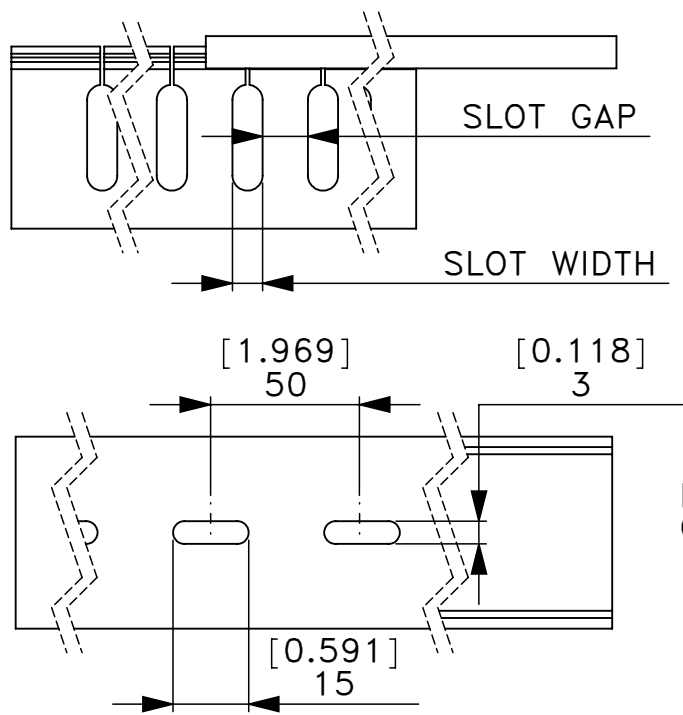


MAXIMUM WIREFILL CAPACITY:
(NUMBER OF WIRES)


$$50\% \text{ WIREFILL} = \frac{W \times H}{1.75 \times D \times D}$$

D=SINGLE WIRE DIAMETER

PART NUMBER				WIDTH "W"		HEIGHT "H"		WALL THK.		LENGTH	
4mm [0.157 in.] SLOT WIDTH	6mm [0.236 in.] SLOT WIDTH	8mm [0.315 in.] SLOT WIDTH	10mm [0.400 in.] SLOT WIDTH	mm	in.	mm	in.	mm	in.	m	ft.
-	-	WD-CMD-8-05	-	15	0.591	25	0.984	1.4	0.055	1.8	6
WD-CMD-4-07	-	WD-CMD-8-07	-	20	0.787	20	0.787	1.4	0.055		
WD-CMD-4-00	-	WD-CMD-8-00	-	25	0.984	25	0.984	1.4	0.055		
WD-CMD-4-10	WD-CMD-6-10	WD-CMD-8-10	-	25	0.984	45	1.772	1.7	0.067		
-	-	WD-CMD-8-11	-	30	1.181	30	1.181	1.5	0.059		
-	-	WD-CMD-8-12	-	33	1.299	33	1.299	1.7	0.067		
WD-CMD-4-15	WD-CMD-6-15	WD-CMD-8-15	-	33	1.299	45	1.772	1.8	0.071		
WD-CMD-4-20	WD-CMD-6-20	WD-CMD-8-20	-	45	1.772	45	1.772	1.8	0.071		
-	-	WD-CMD-8-22	-	50	1.969	50	1.969	1.8	0.071		
-	-	WD-CMD-8-25	-	65	2.599	45	1.772	1.9	0.075		
-	-	WD-CMD-8-30	-	33	1.299	65	2.559	2.0	0.079		
-	-	WD-CMD-8-40	-	25	0.984	65	2.559	1.9	0.075		
-	-	WD-CMD-8-50	-	45	1.772	65	2.559	2.0	0.079		
-	-	WD-CMD-8-55	-	60	2.362	60	2.362	2.1	0.083		
-	-	-	WD-CMD-10-57	65	2.559	65	2.559	2.1	0.083		
-	-	-	WD-CMD-10-67	48	1.890	100	3.937	2.2	0.087		
-	-	-	WD-CMD-10-69	75	2.953	75	2.953	2.2	0.087		
-	-	-	WD-CMD-10-70	70	2.756	100	3.937	2.3	0.091		
-	-	-	WD-CMD-10-80	100	3.937	100	3.937	2.5	0.098		
6mm [0.236 in.] SLOT GAP	6mm [0.236 in.] SLOT GAP	10mm [0.400 in.] SLOT GAP	10mm [0.400 in.] SLOT GAP								



INSTALLATION CONFIGURATION

DESCRIPTION METRIC STANDARD WIRING DUCT				 THIRD ANGLE PROJECTION		Vaisis www.vaisis.com	
DWG DIMENSIONS IN MM [INCH]	DWG. No. DW-CMD	PART No. SEE TABLE	DWN YW	DATE 02/07/11	CHKD YW	DATE 02/07/11	
TOLERANCES UNLESS NOTED .XX=±0.25 [0.010] .XXX=±0.15 [0.006] FRAC=±1/64 ANG=1°	MATERIAL RIGID PVC	COLOR GRAY	SCALE NTS	SHEET SIZE A	SHEET No. 1 OF 1		

A	INITIAL RELEASE	2/7/2011	GC
REV.	DESCRIPTION	DATE	APPROVED