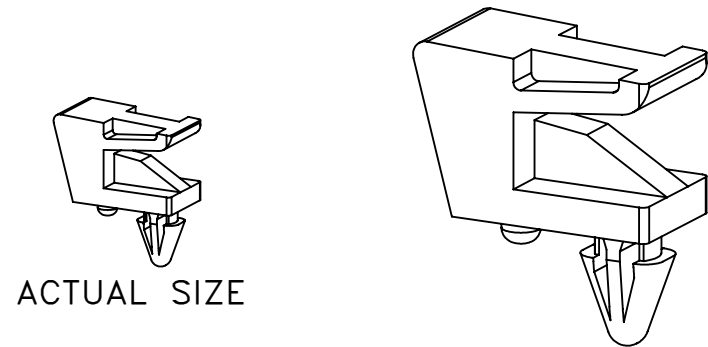
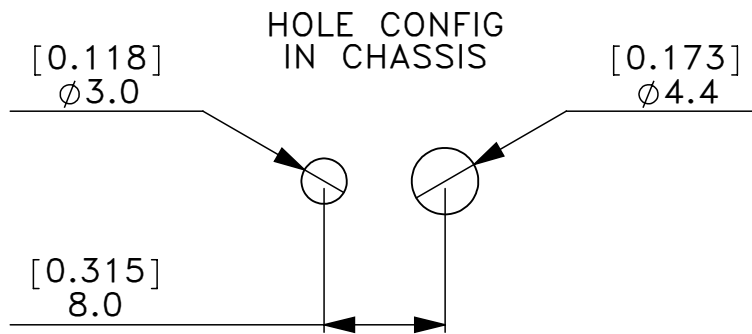



NOTES:

- MATERIAL FLAMABILITY RATING: UL94V-2
- CUSTOM MATERIAL AVAILABLE
- CUSTOM COLOR AVAILABLE



				DESCRIPTION NYLON EDGE HOLD PCB SUPPORT		 THIRD ANGLE PROJECTION		Vaisis www.vaisis.com	
DWG DIMENSIONS UNLESS NOTED				DWG. No.	PART No.	DWN	DATE	CHKD	DATE
MM [INCH]				DW-PCBS-UB-6BT	PCBS-UB-6BT	YW	5/25/2011	YW	5/25/2011
A	INITIAL RELEASE	5/25/2011	GC	TOLERANCES UNLESS NOTED	MATERIAL	COLOR	SCALE	SHEET SIZE	SHEET No.
REV.	DESCRIPTION	DATE	APPROVED	.X=±0.20 [0.008] .XX=±0.10 [0.004] FRAC=±1/64 ANG=1°	NYLON 66	NATURAL	2:1	A	1 OF 1