

High Power Terminal Blocks

Branch Type



- Base Material: PBT 94V-0
- Voltage Rating: 600V
- Current Rating: Up to 400A
- UL Certification: Approved
- SCCR: Acquired
- Lead Time: 6-8 Weeks
- Please refer to sepcific model drawings for details

RoHS COMPLIANT

Model Number	Voltage Rating (V)	Current Rating (A)	Din Rail Mount	Input/Output Screw Config. (Metric)		Minimum Order
				Line (Input)	Load (Output)	
OTP-80	600	80	Yes	M6 (1)	M4 (5)	Contact us
				M6 (1)	M4 (3), M5 (1)	
OTP-1000	600	200	No	M8 (1)	M5 (3)	
				M8 (1)	M5 (2), M8 (1)	
OTP-2000	600	200	No	M8 (1)	M4 (5)	
				M8 (1)	M4 (3), M5 (1)	
				M8 (1)	M4 (3), M5 (2)	
				M8 (1)	M5 (5)	
OTP-6000N	600	125	No	M6 (1)	M4 (5)	
				M6 (1)	M4 (3), M5 (2)	
				M8 (1)	M4 (5)	
OTP-7000	600	400	Yes	M8 (1)	M4 (3), M5 (2)	
				M10 (2)	M6 (5)	
				M10 (2)	M6 (3), M8 (2)	
OTP 8000	600	400	Yes	M10 (2)	M6 (2), M8 (3)	
				M12 (1)	M6 (5)	
				M12 (1)	M6 (3), M8 (2)	
OTP-9000	600	250	No	M12 (1)	M6 (2), M8 (3)	
				M8 (2)	M6 (5)	
				M10 (1)	M6 (5)	
				M8 (2)	M8 (3)	

Order subject to minimum order.
OPT-80 sample available for purchase upon request.

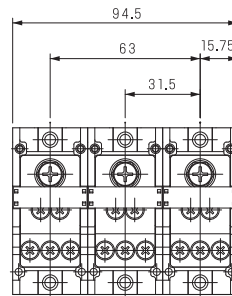
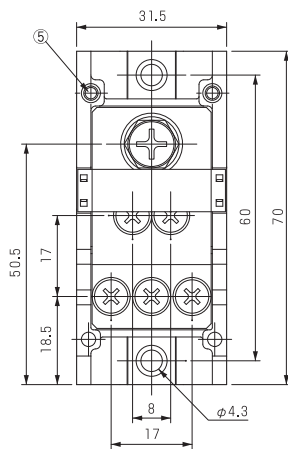
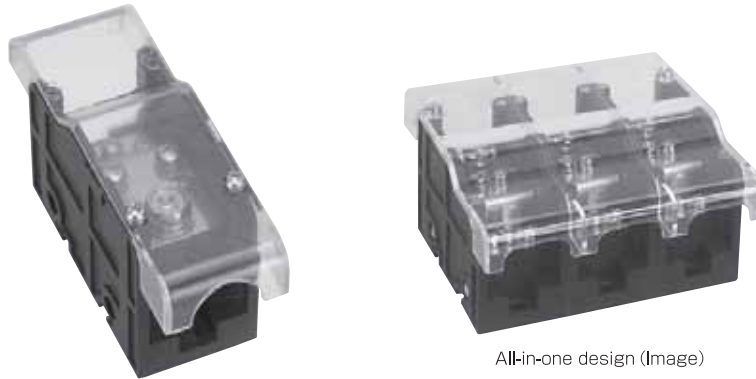
High Power Terminal Blocks

Branch Type

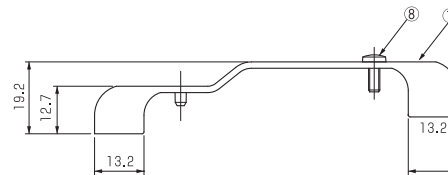
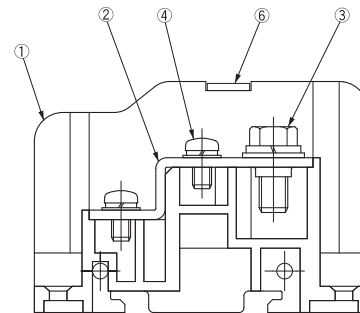
OTP-80 Series

(Acceptable for DIN-rail)

UL SCCR □□kA



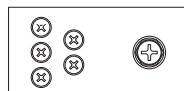
Drawing of all-in-one design



⑧ Drawing of cover

Figure of input and output

OTP-80



Output M4×5 Input M6
(Total 80A) (80A)

Recommended ring-terminal
5.5-S4

OTP-80-1



Output M4×3,M5 Input M6
(Total 80A) (80A)

Recommended ring-terminal
5.5-5 (M5)
5.5-S4 (M4)

Specifications (It is producible from 1 pole to 8 poles)

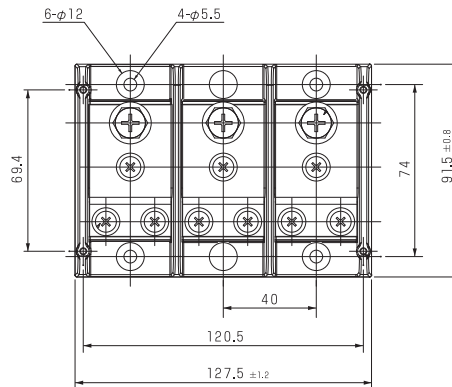
Electrical Rating	600V, 80A
Insulation Resistance	DC500V, 1000MΩ
Withstanding Voltage	AC2000V
Storage Temperature Rating	-40°C~+90°C
Usage Temperature Rating	-40°C~+90°C

Composition

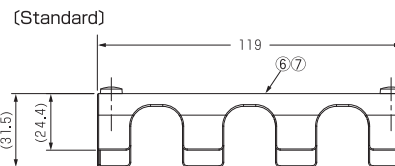
No.	Part Name	Materials	UL Rating	Treatment	Remarks
①	Base	PBT	94V-0		Black
②	Terminal	Brass		Nickel Plated	
③	Bolt	Steel		Zinc plating trivalent chromate	
④	Screw	Steel		Nickel Plated	
⑤	Insert metal fitting	Brass		Nickel Plated	
⑥	Marking Strip	PA 66	94V-0		Gray
⑦	Cover	Polycarbonate			Transparency
⑧	Attachment screws for cover	Steel		Nickel Plated	

OTP-1000 Series

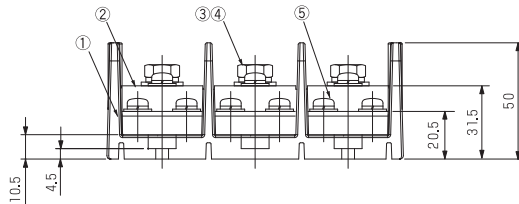
SCCR □□kA



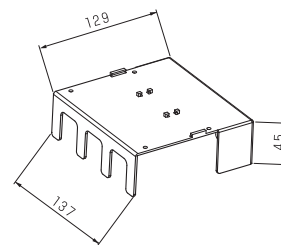
The cover can be selected.



(Finger Protecting Type)



(TC Cover) ※Optional



(Finger Protecting Type)

Figure of input and output

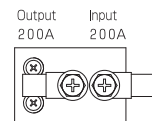
OTP-1000



Output M5×3 Input M8
(Total 200A) (200A)

Recommended ring-terminal
5.5-5

OTP-1000-2



Output M5×2.M8 Input M8
(Total 200A) (200A)

Recommended ring-terminal
5.5-5 (M5)

※Acceptable ring-terminal for 100A
R-38-S8

Specifications

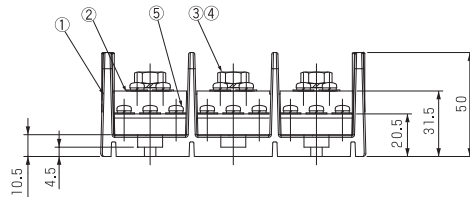
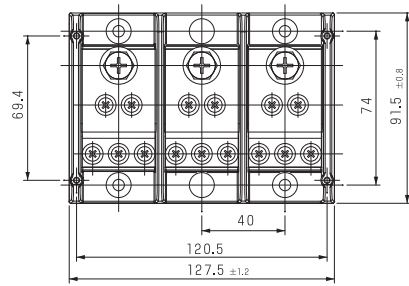
Electrical Rating	600V, 200A
Insulation Resistance	DC500V, 1000MΩ
Withstanding Voltage	AC2000V
Storage Temperature Rating	-40°C~+90°C
Usage Temperature Rating	-40°C~+90°C

Composition

No.	Part Name	Materials	UL Rating	Treatment	Remarks
①	Base	PBT	94V-0		Black
②	Terminal	Brass		Nickel Plated	
③	Bolt	Steel		Zinc plating trivalent chromate	
④	Nut	Steel		Zinc plating trivalent chromate	
⑤	Screw	Steel		Zinc plating trivalent chromate	
⑥	Marking Strip	PA 66	94V-0		Gray
⑦	Cover	Polycarbonate			Transparency

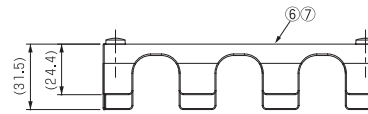
OTP-2000 Series

SCCR □□kA



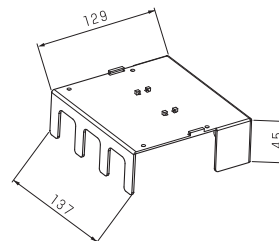
The cover can be selected.

(Standard)



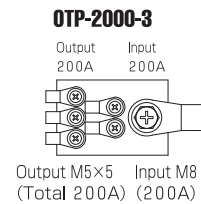
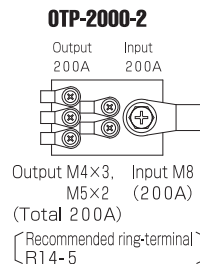
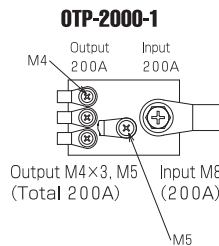
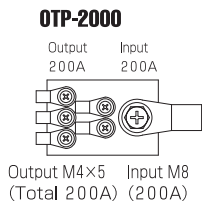
(Finger Protecting Type)

(TC Cover) ※Optional



(Finger Protecting Type)

Figure of input and output



Specifications

Electrical Rating	600V, 200A
Insulation Resistance	DC500V, 1000MΩ
Withstanding Voltage	AC2000V
Storage Temperature Rating	-40°C~+90°C
Usage Temperature Rating	-40°C~+90°C

Composition

No.	Part Name	Materials	UL Rating	Treatment	Remarks
①	Base	PBT	94V-0		Black
②	Terminal	Brass		Nickel Plated	t 3.0
③	Bolt	Steel		Zinc plating trivalent chromate	SW · PW
④	Nut	Steel		Zinc plating trivalent chromate	
⑤	Screw	Steel		Zinc plating trivalent chromate	
⑥	Marking Strip	PA 66	94V-0		Gray
⑦	Cover	Polycarbonate			Transparency

High Power Terminal Blocks

Branch Type

Vaisis

OTP-6000N Series SCCR

All-in-one design □□kA

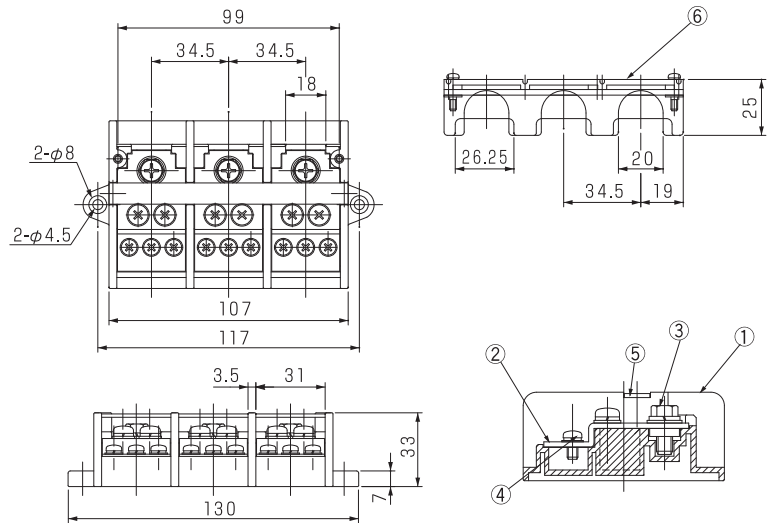


Figure of input and output

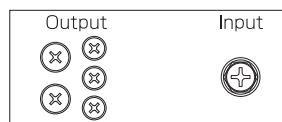
OTP-6000N



Output M4×5 (Total 125A) Input M6 (125A)

Recommended ring-terminal R38-S6

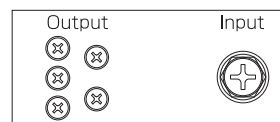
OTP-6000N-1



Output M5×2, M4×3 (Total 125A) Input M6 (125A)

Recommended ring-terminal R38-S6

OTP-6000N-2



Output M4×5 (Total 125A) Input M8 (125A)

Recommended ring-terminal R38-S6

OTP-6000N-4



Output M5×2, M4×3 (Total 125A) Input M8 (125A)

Specifications

Electrical Rating	600V, 125A
Insulation Resistance	DC500V, 1000MΩ
Withstanding Voltage	AC2000V
Storage Temperature Rating	-40°C~+90°C
Usage Temperature Rating	-40°C~+90°C

Composition

No.	Part Name	Materials	UL Rating	Treatment	Remarks
①	Base	PA 66	94V-0		Black
②	Terminal	Copper		Nickel Plated	
③	Bolt	Steel		Zinc plating trivalent chromate	SW · PW
④	Screw	Steel		Nickel Plated	SW · PW
⑤	Marking Strip	PA 66			Gray
⑥	Cover	Polycarbonate			Transparency

OTP-7000 Series

Acceptable for DIN-rail

UL SCCR kA

Figure of input and output

OTP-7000

Output M6×5 Input M10×2
(Total 400A) (Total 400A)

OTP-7000-1

Output M8×2, Input M10×2
M6×3 (Total 400A)

OTP-7000-2 (UL is off the subject)

Output M8×3, Input M10×2
M6×2 (Total 400A)

OTP-8000 Series

Acceptable for DIN-rail

UL SCCR kA

Figure of input and output

OTP-8000

Output M6×5 Input M12
(Total 400A) (Total 400A)

OTP-8000-1

Output M8×2, Input M12
M6×3 (Total 400A)

OTP-8000-2 (UL is off the subject)

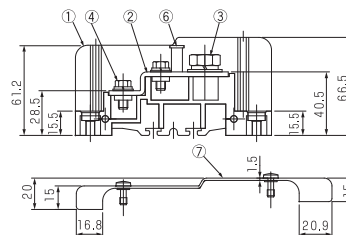
Output M8×3, Input M12
M6×2 (Total 400A)

Specifications (It is producible from 1 pole to 6 poles)

Electrical Rating	600V, 400A
Insulation Resistance	DC500V, 1000MΩ
Withstanding Voltage	AC2000V
Storage Temperature Rating	-40°C~+90°C
Usage Temperature Rating	-40°C~+90°C

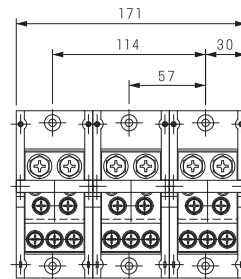
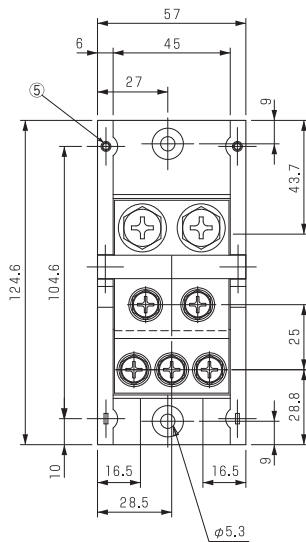
Composition

No.	Part Name	Materials	UL Rating	Treatment	Remarks
①	Base	PBT	94V-0		Black
②	Terminal	Copper		Nickel Plated	
③	Bolt	Steel		Zinc plating trivalent chromate	
④	Bolt	Steel		Zinc plating trivalent chromate	
⑤	Insert metal fitting	Brass		Nickel Plated	
⑥	Marking Strip	PA 66	94V-0		
⑦	Cover	Polycarbonate			Transparency



All-in-one design (Image)

OTP-9000 Series SCCR □□kA



All-in-one design (Image)

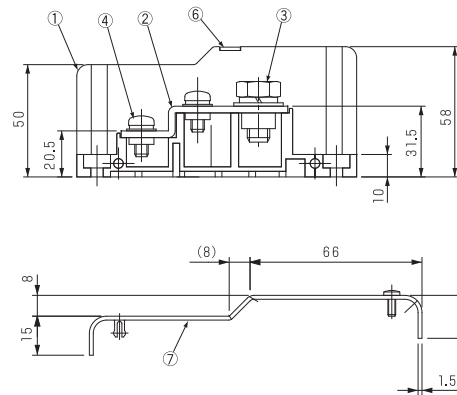
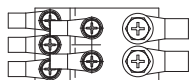


Figure of input and output

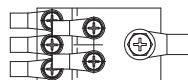
OTP-9000



Output M6×5 (Total 250A) Input M8×2 (Total 250A)

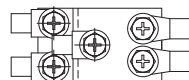
〔Recommended ring-terminal R14-6〕

OTP-9000-M10



Output M6×5 (Total 250A) Input M10 (Total 250A)

OTP-9000-1



Output M8×3 (Total 250A) Input M8×2 (Total 250A)

Specifications (It is producible from 1 pole to 6 poles)

Electrical Rating	600V, 250A
Insulation Resistance	DC500V, 1000MΩ
Withstanding Voltage	AC2000V
Storage Temperature Rating	-40°C~+90°C
Usage Temperature Rating	-40°C~+90°C

Composition

No.	Part Name	Materials	UL Rating	Treatment	Remarks
①	Base	PBT	94V-0		Black
②	Terminal	Copper		Nickel Plated	
③	Bolt (M8)	Steel		Zinc plating trivalent chromate	
④	Screw	Steel		Zinc plating trivalent chromate	
⑤	Insert metal fitting	Brass		Nickel Plated	
⑥	Marking Strip	PA 66	94V-0		Gray
⑦	Cover	Polycarbonate			Transparency