

High Power Terminal Block Jumpers

Brass/Nickel Plated Jumper



RoHS COMPLIANT

| Part Number | Current Rating (A) | Pitch (mm) | Material | Thickness (mm) | Configuration | Minimum Order |
|-------------|--------------------|------------|---------------------|----------------|----------------------|---------------|
| OJ-11 | 30 | 11.0 | Brass/Nickel Plated | 0.8 | 2 Position | 50 PCS |
| OSP-018 | 30 | 13.0 | | 1.0 | 2 Position | |
| OSP-040 | 30 | 13.0 | | 0.6 | Vertical, 2 Position | |
| OSP-147 | 80 | 15.0 | | 1.5 | 2 Position | |
| OSP-16 | 60 | 16.0 | | 1.2 | 2 Position | |
| OSP-358 | 85 | 16.0 | | 2.0 | 2 Position | |
| OSP-388 | 130 | 21.0 | | 2.0 | 2 Position | |
| OSP-048L | 150 | 27.0 | | 2.0 | 2-3 Position | |

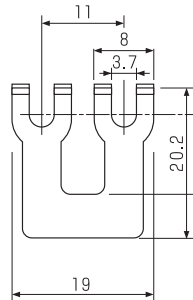
Only available with order of High Power Terminal Blocks.
Sample not available

High Power Terminal Block Jumpers

Brass/Nickel Plated Jumper

OJ-11

Ordering lot : 50pcs.



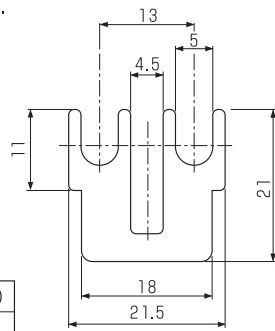
| | |
|-------------------|-----------------|
| Material | Brass (t=0.8mm) |
| Surface Treatment | Nickel Plated |

Rated Current 30A / For 11mm (terminal to terminal) models

- Applicable Terminal Block Models (OJ-11)
OK-020
- (Att) The point part in the bar is straight. OJ-11-S

OSP-018

Ordering lot : 50pcs.



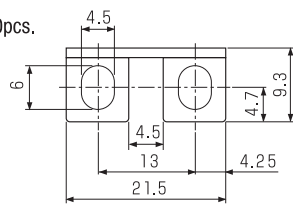
| | |
|-------------------|-----------------|
| Material | Brass (t=1.0mm) |
| Surface Treatment | Nickel Plated |

Rated Current 30A / For 13mm (terminal to terminal) models

- Applicable Terminal Block Models
OTB-330N

OSP-040

Ordering lot : 50pcs.



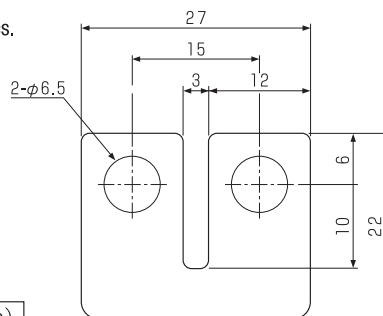
| | |
|-------------------|-----------------|
| Material | Brass (t=0.6mm) |
| Surface Treatment | Nickel Plated |

Rated Current 30A / For 13mm (terminal to terminal) models

- Applicable Terminal Block Models
OTB-330N

OSP-147

Ordering lot : 50pcs.



| | |
|-------------------|-----------------|
| Material | Brass (t=1.5mm) |
| Surface Treatment | Nickel Plated |

Rated Current 80A / For 15mm (terminal to terminal) models

- Applicable Terminal Block Models
OK-050


High Power Terminal Block Jumpers

Brass/Nickel Plated Jumper

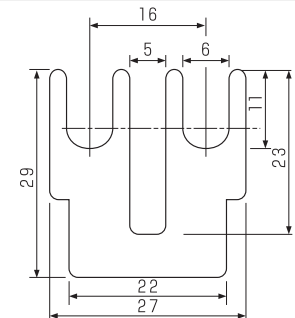
Vaisis

OSP-16

Ordering lot : 50pcs.



| | |
|-------------------|-----------------|
| Material | Brass (t=1.2mm) |
| Surface Treatment | Nickel Plated |




Rated Current 60A / For 16mm (terminal to terminal) models

● Applicable Terminal Block Models

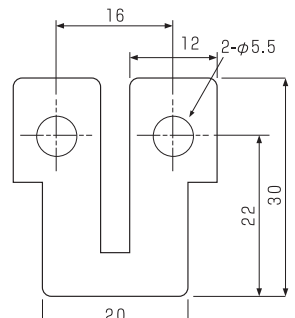
| | |
|----------|--------|
| OTB-358N | OK-060 |
|----------|--------|

OSP-358

Ordering lot : 50pcs.



| | |
|-------------------|-----------------|
| Material | Brass (t=2.0mm) |
| Surface Treatment | Nickel Plated |




Rated Current 85A / For 16mm (terminal to terminal) models

● Applicable Terminal Block Models

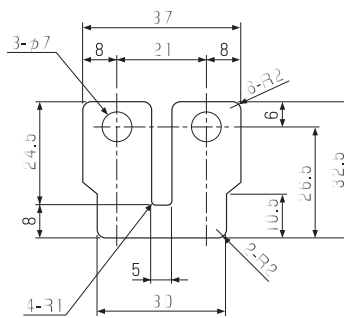
| | |
|----------|--------|
| OTB-358N | OK-060 |
|----------|--------|

OSP-388

Ordering lot : 50pcs.



| | |
|-------------------|-----------------|
| Material | Brass (t=2.0mm) |
| Surface Treatment | Nickel Plated |




Rated Current 130A / For 21mm (terminal to terminal) models

● Applicable Terminal Block Models

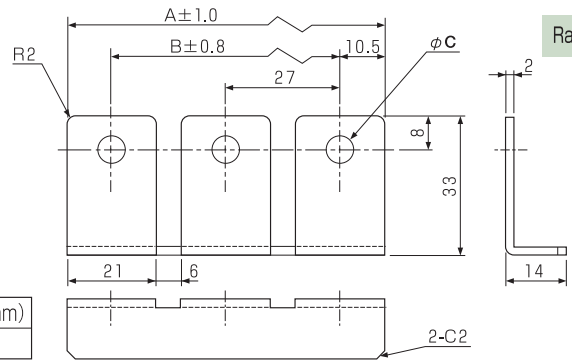
| | |
|---------|---------|
| OTB-388 | OTB-390 |
|---------|---------|

OSP-048L

Ordering lot : 50pcs.



| | |
|-------------------|-----------------|
| Material | Brass (t=2.0mm) |
| Surface Treatment | Nickel Plated |



Rated Current 150A / For 27mm (terminal to terminal) models

● Applicable Terminal Block Models

| | | |
|---------|---------|---------|
| OTB-488 | OTB-489 | OTB-490 |
| OK-0100 | | |

Measurements List of A, B & ϕC
(P : Number of terminals)

| P | 1 | 2 | 3 | ϕC |
|---|---|----|----|-----------------------|
| A | | 48 | 75 | $\phi 6.5$ $\phi 8.5$ |
| B | | 27 | 54 | |