

# High Power Terminal Blocks

## Relay Type



**cUL<sup>us</sup> (FW2)**

- Base Material: PBT 94V-0
- Voltage Rating: Up to 900V
- Current Rating: Up to 600A
- UL Certification: FW2
- Pole Pitch: 11.0-61.0 mm
- Lead Time: 6-8 Weeks
- Please refer to sepcific model drawings for details

### RoHS COMPLIANT

Model Number	Pitch (mm)	Voltage Rating (V)	Current Rating (A)	Positions	Wire Size (AWG)	Minimum Order
OK-020	11.0	600	30	1-25	10-12 Cu	Contact us
OK-050	15.5	600	60	1-10	6-12 Cu	
OK-060	16.0	600	85	1-20	6-10 Cu	
OK-080	19.4	850	110	2-10	6-12 Cu	
OK-0100	27.0	600	156	1-15	1/0-8 Cu	
OTB-812	30.0	600	200	1-12	8-20 Cu	
OK-250	32.0	600	250	1-12	3-6 Cu	
OK-250S-9P	32.0	600	250	9	3-6 Cu	
OK-300S	36.0	600	300	1-6	N/A	
OK-600S	61.0	900	600	2-20	N/A	

Order subject to minimum order.  
Samples not available.

### Optional Cross Jumpers

Terminal Block Model Number	Cross Jumper Part Number	Cross Jumper Current Rating (A)	Cross Jumper Configuration
OK-020	OJ-11(-S)	30	2 Position
OK-050	OSP-147	80	2 Position
OK-060	OSP-16	60	2 Position
	OSP-358	85	2 Position
OK-0100	OSP-048L	150	2-3 Position

Please refer to specific Cross Jumper drawings for details.  
Sample not available.



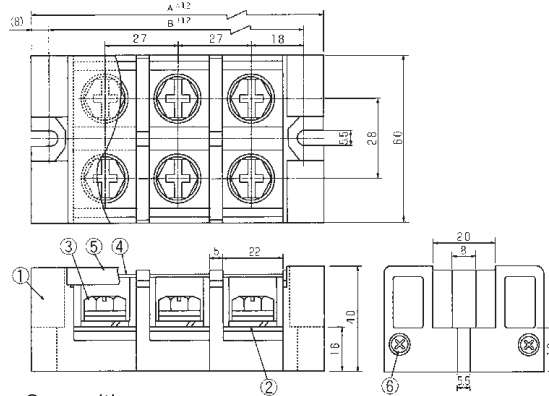


# High Power Terminal Blocks

## Relay Type

# OK-0100

Pitch (terminal to terminal) : 27mm



### Specifications

Electrical Rating	600V, 135A (CUL) 600V, 156A (UL)
Insulation Resistance	DC500V, 1000MΩ
Withstanding Voltage	AC2500V
Storage Temperature Rating	-40°C~+90°C
Usage Temperature Rating	-40°C~+90°C

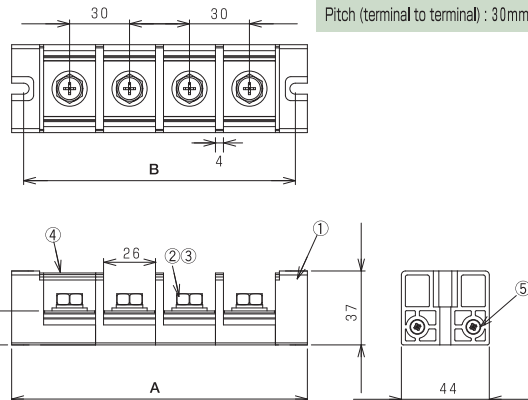
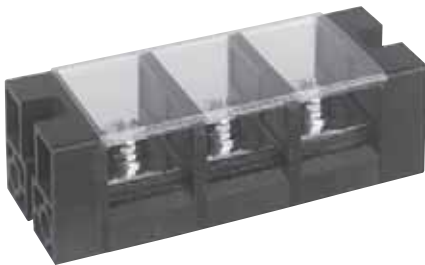
### Composition

No.	Part Name	Materials	UL Rating	Treatment	Remarks
①	Base	PBT	94V-0		Black
②	Terminal	Brass		Nickel Plated	
③	Bolt (M8×15L)	Steel		Zinc plating trivalent chromate	SW, PW ⊕
④	Marking Strip				
⑤	Cover	Polycarbonate	94V-0		Transparency
⑥	Joint Shaft (M4)	Steel		Nickel Plated	

### Measurements List of A & B ( P : Number of terminals )

P	1	2	3	4	5	6	7	8	9	10	11	12	13	14	15	16	17	18	19	20	21	22	23	24	25	26	27	28	29	30	
A	52	79	106	133	160	187	214	241	268	295	322	349	376	403	430																
B	36	63	90	117	144	171	198	225	252	279	306	333	360	387	414																

# OTB-812



### Specifications

Electrical Rating	600V, 200A
Insulation Resistance	DC500V, 500MΩ
Withstanding Voltage	AC2500V
Storage Temperature Rating	-40°C~+90°C
Usage Temperature Rating	-40°C~+90°C

### Composition

No.	Part Name	Materials	UL Rating	Treatment	Remarks
①	Base	PBT	94V-0		Black
②	Terminal	Brass		Nickel Plated	
③	Screw (M4×10)	Steel		Zinc plating trivalent chromate	F Series
④	Cover	Polycarbonate	94V-0		Transparency
⑤	Joint Shaft	Steel		Nickel Plated	

### Measurements List of A & B ( P : Number of terminals )

P	1	2	3	4	5	6	7	8	9	10	11	12	13	14	15	16	17	18	19	20	21	22	23	24	25	26	27	28	29	30	
A	58	88	118	148	178	208	238	268	298	328	358	388																			
B	46	76	106	136	166	196	226	256	286	316	346	376																			

# High Power Terminal Blocks

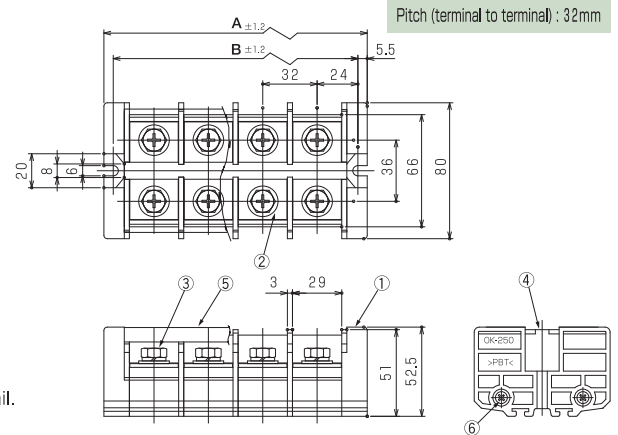
## Relay Type

# Vaisis

## OK-250



※Acceptable for DIN-rail.



### Specifications

Electrical Rating	600V, 200A, 250A(※1)
Insulation Resistance	DC500V, 1000MΩ
Withstanding Voltage	AC2500V
Storage Temperature Rating	-40°C~+90°C
Usage Temperature Rating	-40°C~+90°C

※1 : Two ring-molding can be used.

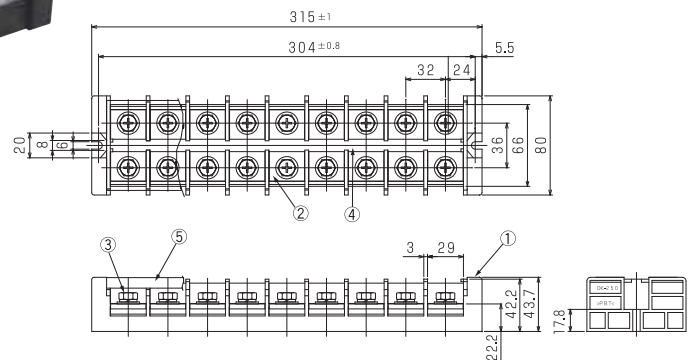
### Measurements List of A & B ( P : Number of terminals )

P	1	2	3	4	5	6	7	8	9	10	11	12	13	14
A	59	91	123	155	187	219	251	283	315	347	379	411		
B	48	80	112	144	176	208	240	272	304	336	368	400		

### Composition

No.	Part Name	Materials	UL Rating	Treatment	Remarks
①	Base	PBT	94V-0		Black
②	Terminal	Brass		Nickel Plated	
③	Bolt (M8×20L)	Steel		Zinc plating trivalent chromate	
④	Marking Strip				
⑤	Cover	Polycarbonate			
⑥	Joint Shaft M4	Steel	94V-0	Nickel Plated	

## OK-250S-9P



### Specifications

Electrical Rating	600V, 200A, 250A(※1)
Insulation Resistance	DC500V, 1000MΩ
Withstanding Voltage	AC2500V
Storage Temperature Rating	-40°C~+90°C
Usage Temperature Rating	-40°C~+90°C
Acceptable Ring-mold	200A, 80-8 250A, R38-8

※1 : Two ring-molding can be used.

### Composition

No.	Part Name	Materials	UL Rating	Treatment	Remarks
①	Base	PBT	94V-0		All-in-one design
②	Terminal	Brass		Nickel Plated	
③	Bolt (M8×20L)	Steel		Zinc plating trivalent chromate	
④	Marking Strip				
⑤	Cover	Polycarbonate	94V-0		

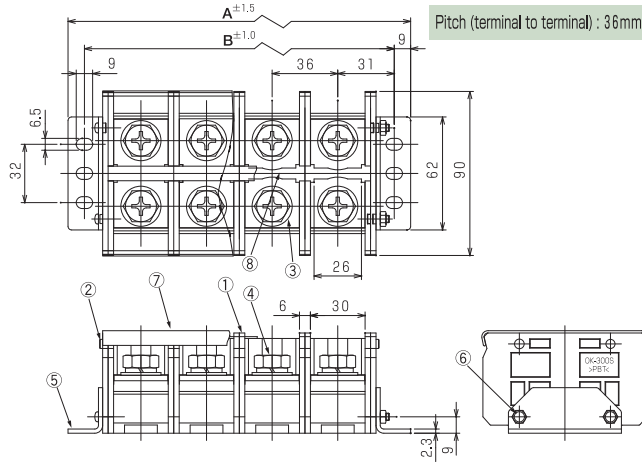
# High Power Terminal Blocks

## Relay Type

## OK-300S



※Acceptable for DIN-rail.



### Specifications

Electrical Rating	600V, 300A (※1)
Insulation Resistance	DC500V, 500MΩ
Withstanding Voltage	AC2500V
Storage Temperature Rating	-40°C~+80°C
Usage Temperature Rating	-40°C~+80°C

※1: Two ring-molding can be used.

Measurements List of A & B (P : Number of terminals) More than 7P are special order products.

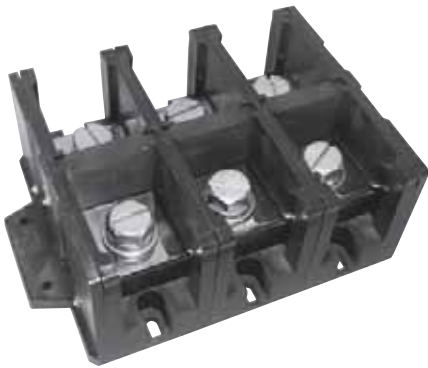
P	1	2	3	4	5	6	7	8	9	10	11	12	13	14
A	80	116	152	188	224	260								
B	62	98	134	170	206	242								

### Composition

No.	Part Name	Materials	UL Rating	Treatment	Remarks
①	Base	PBT	94V-0		Black
②	Side Plate	PBT	94V-0		
③	Terminal	Brass		Zinc plating trivalent chromate	
④	Bolt (M10×20L)	Steel		Zinc plating trivalent chromate	SW · PW
⑤	Setting Metal Board	Steel		Zinc plating trivalent chromate	
⑥	Joint Shaft (M4)	Steel		Nickel Plated	
⑦	Cover	Polycarbonate	94V-0		
⑧	Marking Strip				

## OK-600S

PAT

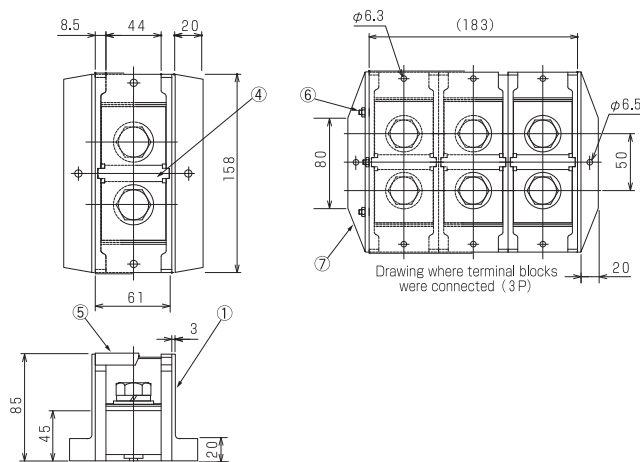


- ※2~6pole is connected with the shaft.
- ※2~20pole is connected with the Din-rail (35mm).
- ※Cover and Marking Strip (Optional)

### Specifications

Electrical Rating	900V, 600A (Use 2 ring-molding AWG250~350)
Insulation Resistance	DC500V, 1000MΩ
Withstanding Voltage	AC2500V
Storage Temperature Rating	-40°C~+90°C
Usage Temperature Rating	-40°C~+90°C

Pitch (terminal to terminal) : 61mm



### Composition

No.	Part Name	Materials	UL Rating	Treatment	Remarks
①	Base	PBT	94V-0		Black
②	Terminal	Brass		Nickel Plated	
③	Bolt (M16×40L)	Steel		Zinc plating trivalent chromate	SW · PW
④	Marking Strip				Optional
⑤	Cover	Polycarbonate	94V-0		Optional
⑥	Joint Shaft	Steel		Nickel Plated	
⑦	Setting Metal Board	PBT	94V-0		