

# High Power Terminal Blocks

## Through Type



**cUL<sup>us</sup> (FW2)**

- Base Material: PBT 94V-0
- Voltage Rating: 600V (Except OTB-351, 300V)
- Current Rating: Up to 350A
- UL Certification: FW2
- Pole Pitch: 8.5-49.0 mm
- Lead Time: 6-8 Weeks
- Please refer to sepcific model drawings for details

### RoHS COMPLIANT

Model Number	Pitch (mm)	Voltage Rating (V)	Current Rating (A)	Positions	Wire Size (AWG)	UL Certification	Minimum Order
OTB-351	8.5	300	20	1-15	14-22 Cu	FW2	Contact us
OTB-330N	13.0	600	40	2-15	12-22 Cu	FW2	
OTB-358N	16.0	600	100	1-15	3-14 Cu	FW2	
OTB-811	19.5	600	100	1-15	2-16 Cu	Pending	
OTB-388	21.0	600	100	1-15	2-8 Cu	FW2	
OTB-390	21.0	600	130	1-15	2-8 Cu	Pending	
OTB-488	27.0	600	150	1-15	3-10 Cu	FW2	
OTB-490	27.0	600	170	1-15	2/0-10 Cu	FW2	
OTB-588	35.0	600	250	1-12	4/0-4 Str. Cu	FW2	
OTB-688	49.0	600	350	1-8	N/A	FW2	

Order subject to minimum order.  
Limited sample available for purchase upon request.

### Optional Cross Jumpers

Terminal Block Model Number	Cross Jumper Part Number	Cross Jumper Current Rating (A)	Cross Jumper Configuration
OTB-330N	OSP-018	30	2 Position
	OSP-040	30	Vertical, 2 Position
OTB-358N	OSP-16	60	2 Position
	OSP-358	85	2 Position
OTB-388	OSP-388	130	2 Position
OTB-390	OSP-388	130	2 Position
OTB-488	OSP-048L	150	2-3 Position
OTB-490	OSP-048L	150	2-3 Position

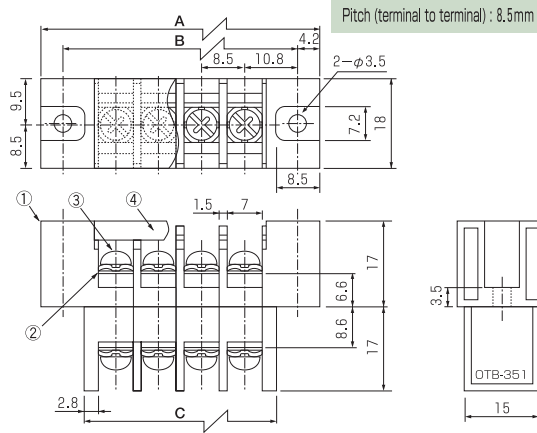
Please refer to specific Cross Jumper drawings for details.  
Sample not available.

# High Power Terminal Blocks

## Through Type

# Vaisis

## OTB-351



### Specifications

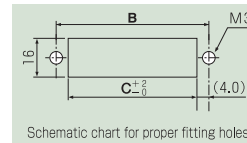
Electrical Rating	300V, 20A
Insulation Resistance	DC500V, 1000MΩ
Withstanding Voltage	AC2000V
Storage Temperature Rating	-30°C~+80°C
Usage Temperature Rating	-30°C~+80°C

### Composition

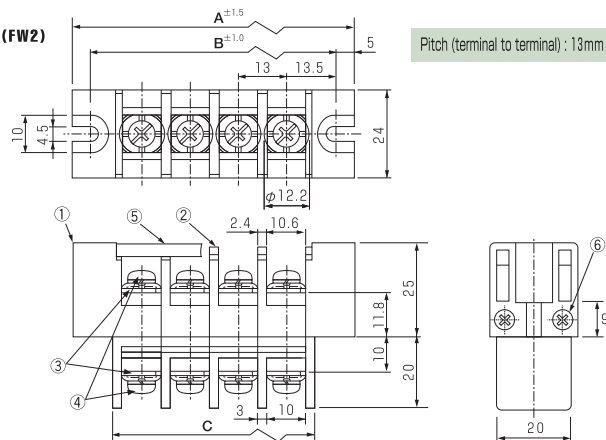
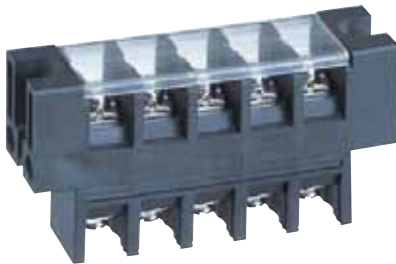
No.	Part Name	Materials	UL Rating	Treatment	Remarks
①	Base	Polycarbonate	94V-0		Black
②	Terminal	Brass		Nickel Plated	
③	Screw (M3, M3.5)	Steel		Nickel Plated	F Series
④	Cover	Polycarbonate	94V-0		Transparency

### Measurements List of A, B & C (P : Number of terminals)

P	1	2	3	4	5	6	7	8	9	10	11	12	13	14	15	16	17	18	19	20	21	22	
A	30	38.5	47.0	55.5	64.0	72.5	81.0	89.5	98.0	106.5	115.0	123.5	132.0	140.5	149.0								
B	21.6	30.1	38.6	47.1	55.6	64.1	72.6	81.1	89.6	98.1	106.6	115.1	123.6	132.1	140.6								
C	12.6	21.1	29.6	38.1	46.6	55.1	63.6	72.1	80.6	89.1	97.6	106.1	114.6	123.1	131.6								



## OTB-330N-□P-FB



### Specifications

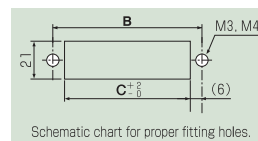
Electrical Rating	600V, 40A
Insulation Resistance	DC500V, 1000MΩ
Withstanding Voltage	AC2500V
Storage Temperature Rating	-40°C~+90°C
Usage Temperature Rating	-40°C~+90°C

### Composition

No.	Part Name	Materials	UL Rating	Treatment	Remarks
①	Base	PBT	94V-0		※1
②	Base 1	PBT	94V-0		※1
③	Terminal	Brass		Sn	
④	Screw (M4×12L)	Steel		Nickel Plated	
⑤	Cover	Polycarbonate	94V-0		Transparency
⑥	Joint Shaft (M3)	Steel		Nickel Plated	

### Measurements List of A, B & C (P : Number of terminals) ※More than 15P are special order products.

P	1	2	3	4	5	6	7	8	9	10	11	12	13	14	15	16	17	18	19	20	21	22	
A		50	63	76	89	102	115	128	141	154	167	180	193	206	219								
B		40	53	66	79	92	105	118	131	144	157	170	183	196	209								
C		28.6	41.6	54.6	67.6	80.6	93.6	106.6	119.6	132.6	145.6	158.6	171.6	184.6	197.6								

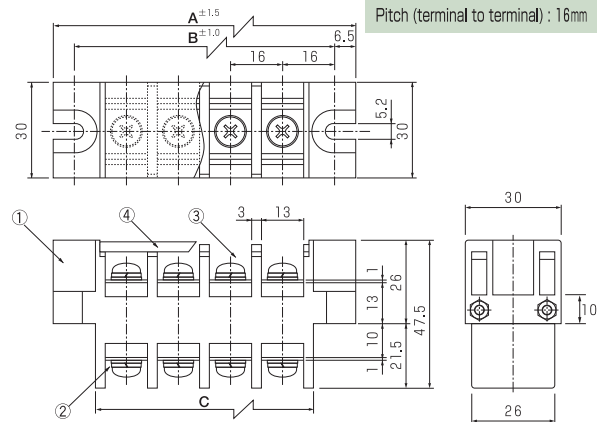


## OTB-358N

UL<sup>®</sup> (FW2)



\*Marking Strip (Optional)



### Specifications

Electrical Rating	600V, 100A
Insulation Resistance	DC500V, 1000MΩ
Withstanding Voltage	AC2500V
Storage Temperature Rating	-40°C~+90°C
Usage Temperature Rating	-40°C~+90°C

### Composition

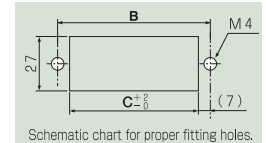
\*1: Base color can be selected the black, red, blue, green and the gray. (Standard color Black)

No.	Part Name	Materials	UL Rating	Treatment	Remarks
①	Base	PBT	94V-0		*1
②	Terminal	Brass		Nickel Plated	
③	Screw (M5x12L)	Steel		Nickel Plated	
④	Cover	Polycarbonate	94V-0		Transparency

### Measurements List of A, B & C (P : Number of terminals)

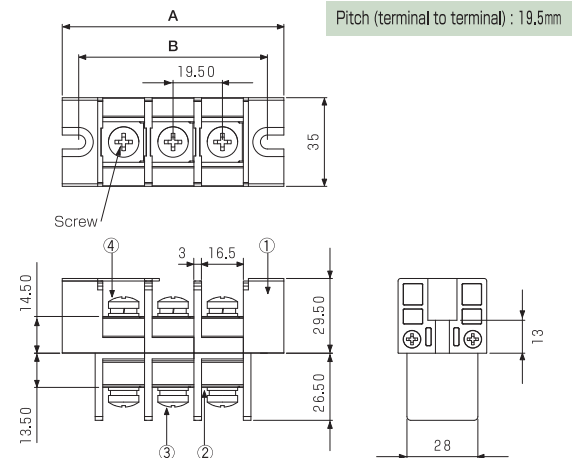
\*More than 15P are special order products.

P	1	2	3	4	5	6	7	8	9	10	11	12	13	14	15	16	17	18	19	20	21	22	
A	45	61	77	93	109	125	141	157	173	189	205	221	237	253	269								
B	32	48	64	80	96	112	128	144	160	176	192	208	224	240	256								
C	19	35	51	67	83	99	115	131	147	163	179	195	211	227	243								



## OTB-811

UL<sup>®</sup> (FW2)  
Under Application



### Specifications

Electrical Rating	600V, 100A
Insulation Resistance	DC500V, 1000MΩ
Withstanding Voltage	AC2500V
Storage Temperature Rating	-40°C~+90°C
Usage Temperature Rating	-40°C~+90°C

### Composition

No.	Part Name	Materials	UL Rating	Treatment	Remarks
①	Base	PBT	94V-0		Black
②	Terminal	Brass		Nickel Plated	
③	Screw (M6)	Brass		Nickel Plated	
④	Cover	Polycarbonate	94V-0		

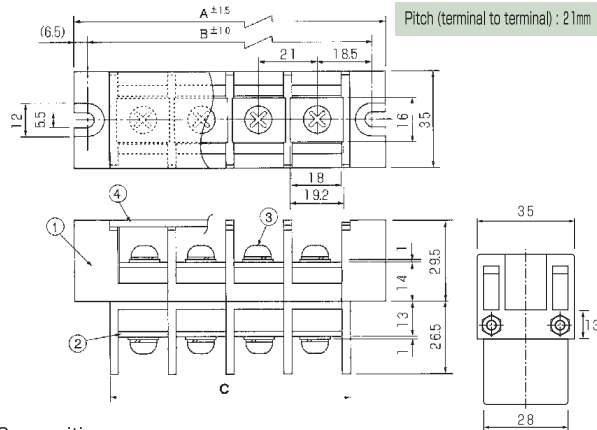
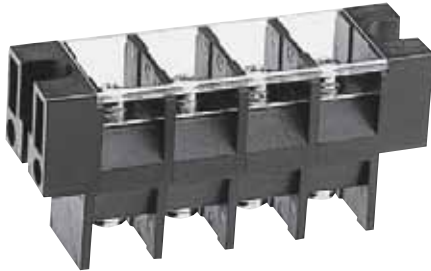
### Measurements List of A & B (P : Number of terminals)

P	1	2	3	4	5	6	7	8	9	10	11	12	13	14	15
A	48.5	68	87.5	107	126.5	146	165.5	185	204.5	224	243.5	263	282.5	302	321.5
B	35.5	55	74.5	94	113.5	133	152.5	172	191.5	211	230.5	250	269.5	289	308.5

# High Power Terminal Blocks

## Through Type

### OTB-388



#### Specifications

Electrical Rating	600V, 100A
Insulation Resistance	DC500V, 1000MΩ
Withstanding Voltage	AC2500V
Storage Temperature Rating	-40°C~+90°C
Usage Temperature Rating	-40°C~+90°C

#### Composition

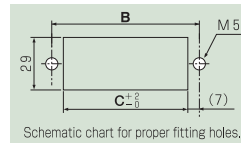
No.	Part Name	Materials	UL Rating	Treatment	Remarks
①	Base	PBT	94V-0		※1
②	Terminal	Brass		Nickel Plated	
③	Screw (M6×14L)	Steel		Nickel Plated	
④	Cover	Polycarbonate	94V-0		Transparency

#### Measurements List of A, B & C (P : Number of terminals)

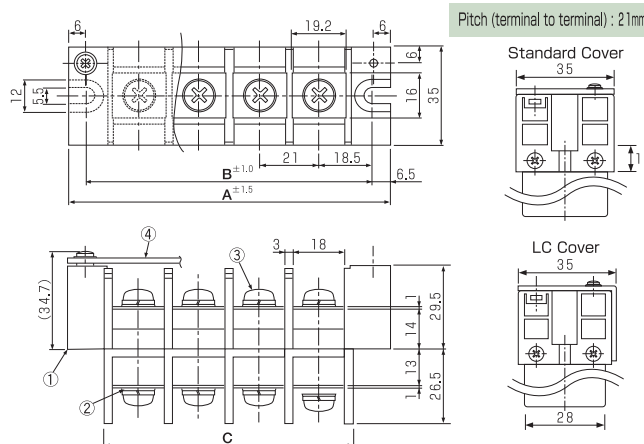
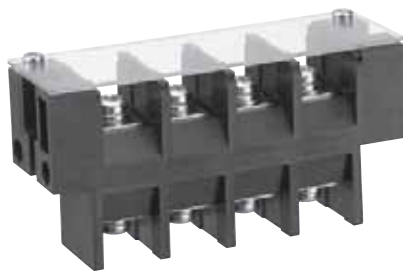
P	1	2	3	4	5	6	7	8	9	10	11	12	13	14	15	16	17	18	19	20	21	22	
A	50	71	92	113	134	155	176	197	218	239	260	281	302	323	344								
B	37	58	79	100	121	142	163	184	205	226	247	268	289	310	331								
C	24	45	66	87	108	129	150	171	192	213	234	255	276	297	318								

※1 : Base color can be selected the black, red, blue, green and the gray. (Standard color Black)

※6P~15P pole of dimensional tolerance (A, B and C) ±0.2.



### OTB-390



#### Specifications

Electrical Rating	600V, 130A
Insulation Resistance	DC500V, 1000MΩ
Withstanding Voltage	AC2500V
Storage Temperature Rating	-40°C~+90°C
Usage Temperature Rating	-40°C~+90°C

#### Composition

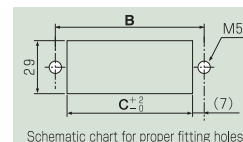
No.	Part Name	Materials	UL Rating	Treatment	Remarks
①	Base	PBT	94V-0		Black
②	Terminal	Brass		Nickel Plated	
③	Screw (M6×14L)	Steel		Nickel Plated	
④	Cover	Polycarbonate	94V-0		Transparency

#### Measurements List of A, B & C (P : Number of terminals)

P	1	2	3	4	5	6	7	8	9	10	11	12	13	14	15	16	17	18	19	20	21	22	
A	50	71	92	113	134	155	176	197	218	239	260	281	302	323	344								
B	37	58	79	100	121	142	163	184	205	226	247	268	289	310	331								
C	24	45	66	87	108	129	150	171	192	213	234	255	276	297	318								

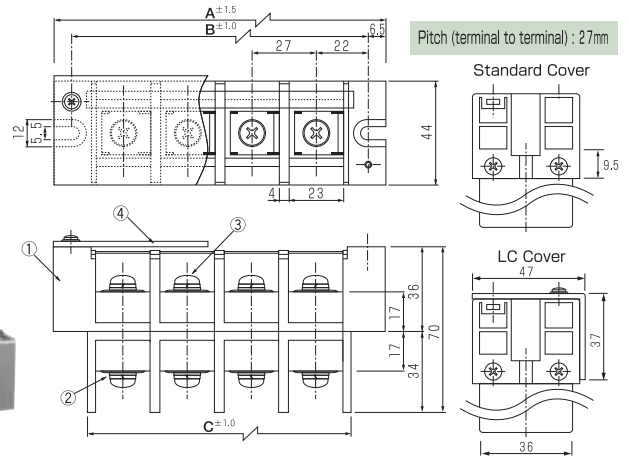
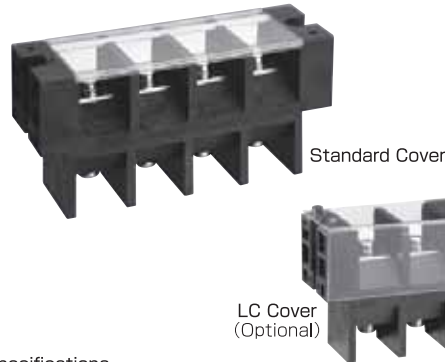
※13P~15P are special order products.

※6P~15P pole of dimensional tolerance (A, B and C) ±0.2.



## OTB-488

### OTB-488S



### Specifications

Electrical Rating	600V, 100A (UL), 600V, 150A (CUL)
Insulation Resistance	DC500V, 1000MΩ
Withstanding Voltage	AC2500V
Storage Temperature Rating	-40°C~+90°C
Usage Temperature Rating	-40°C~+90°C

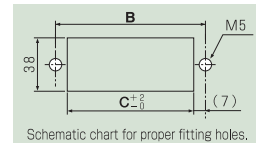
### Composition

No.	Part Name	Materials	UL Rating	Treatment	Remarks
①	Base	PBT	94V-0		Black
②	Terminal	Brass		Nickel Plated	
③	Screw (M6×12L)	Brass		Nickel Plated	
④	Cover	C Polycarbonate	94V-0		Optional
		LC Polycarbonate	94V-0		

### Measurements List of A, B & C (P : Number of terminals)

※13P~15P are special order products.

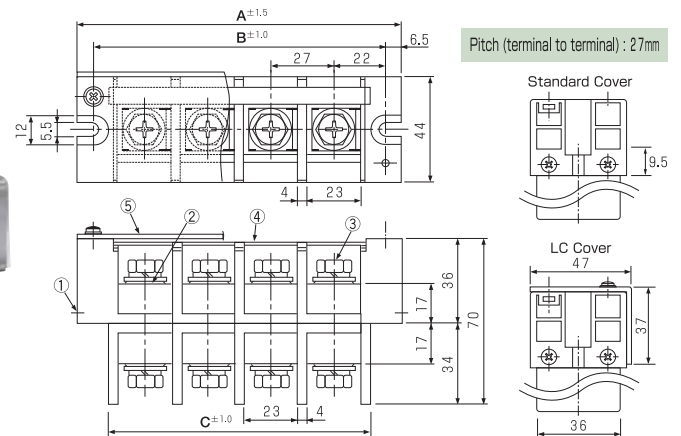
P	1	2	3	4	5	6	7	8	9	10	11	12	13	14	15	16	17	18	19	20	21	22	
A	57	84	111	138	165	192	219	246	273	300	327	354	381	408	435								
B	44	71	98	125	152	179	206	233	260	287	314	341	368	395	422								
C	31	58	85	112	139	166	193	220	247	274	301	328	355	382	409								



## OTB-490



※LC Cover (Optional)



### Specifications

Electrical Rating	600V, 170A
Insulation Resistance	DC500V, 1000MΩ
Withstanding Voltage	AC2500V
Storage Temperature Rating	-40°C~+90°C
Usage Temperature Rating	-40°C~+90°C

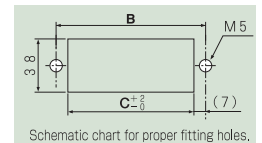
### Composition

No.	Part Name	Materials	UL Rating	Treatment	Remarks
①	Base	PBT	94V-0		Black
②	Terminal	Copper		Nickel Plated	
③	Bolt (M8×16L)	Steel		Zinc plating trivalent chromate	P.W. SW
④	Marking Strip	Polycarbonate	94V-0		
⑤	Cover	C Polycarbonate	94V-0		Optional
		LC Polycarbonate	94V-0		

### Measurements List of A, B & C (P : Number of terminals)

※13P~15P are special order products.

P	1	2	3	4	5	6	7	8	9	10	11	12	13	14	15	16	17	18	19	20	21	22	
A	57	84	111	138	165	192	219	246	273	300	327	354	381	408	435								
B	44	71	98	125	152	179	206	233	260	287	314	341	368	395	422								
C	31	58	85	112	139	166	193	220	247	274	301	328	355	382	409								



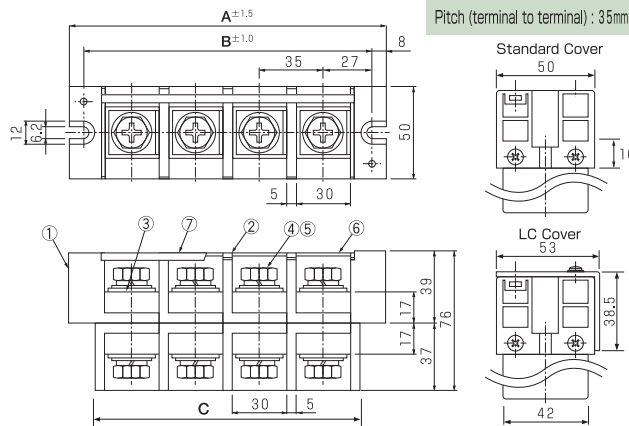
# High Power Terminal Blocks

## Through Type

### OTB-588



※LC Cover (Optional)



#### Specifications

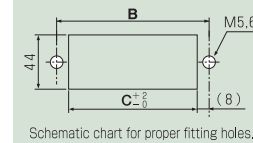
Electrical Rating	600V, 250A
Insulation Resistance	DC500V, 1000MΩ
Withstanding Voltage	AC2500V
Storage Temperature Rating	-40°C~+90°C
Usage Temperature Rating	-40°C~+90°C
Number of terminals	2P~10P

#### Composition

No.	Part Name	Materials	UL Rating	Treatment	Remarks
①	Base	PBT	94V-0		Black
②	Base 1	PBT	94V-0		Black
③	Terminal	Copper		Nickel Plated	
④	Bolt (M10×20L)	Steel		Zinc plating trivalent chromate	PW, SW
⑤	Nut (M10)	Steel		Zinc plating trivalent chromate	
⑥	Marking Strip		94V-0		
⑦	C	Polycarbonate	94V-0		
	LC	Polycarbonate	94V-0		Optional

#### Measurements List of A, B & C ( P : Number of terminals )

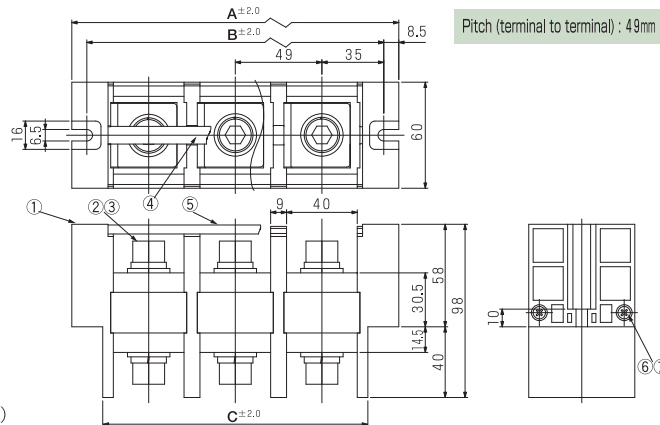
P	1	2	3	4	5	6	7	8	9	10	11	12	13	14	15	16	17	18	19	20	21	22	
A	70	105	140	175	210	245	280	315	350	385	420	455											
B	54	89	124	159	194	229	264	299	334	369	404	439											
C	40	75	110	145	180	215	250	285	320	355	390	425											



### OTB-688



※Marking Strip (Optional)



#### Specifications

Electrical Rating	600V, 350A
Insulation Resistance	DC500V, 1000MΩ
Withstanding Voltage	AC3000V
Storage Temperature Rating	-40°C~+90°C
Usage Temperature Rating	-40°C~+90°C

#### Composition

No.	Part Name	Materials	UL Rating	Treatment	Remarks
①	Base	PBT	94V-0		Black
②	Terminal	Copper		Nickel Plated	
③	Bolt (M12×20L)	Steel		Zinc plating trivalent chromate	PW, SW
④	Marking Strip	PET			Optional
⑤	Cover	Polycarbonate	94V-0		Transparency
⑥	Joint Shaft (M4)	Steel		Nickel Plated	
⑦	Nut (M4)	Steel		Nickel Plated	

#### Measurements List of A, B & C ( P : Number of terminals )

P	1	2	3	4	5	6	7	8	9	10	11	12	13	14	15	16	17	18	19	20	21	22	
A	87	136	185	234	283	332	381	430															
B	70	119	168	217	266	315	364	413															
C	52	101	150	199	248	297	346	395															

