

Nylon PCB Support PCBS-A Series, Snap-Lock, Rest Mount

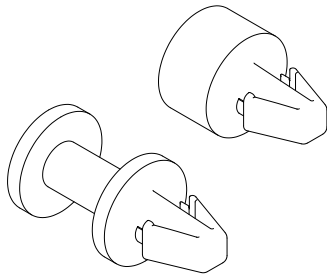


Fig. 1

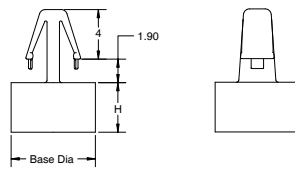
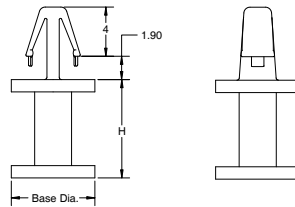


Fig. 2



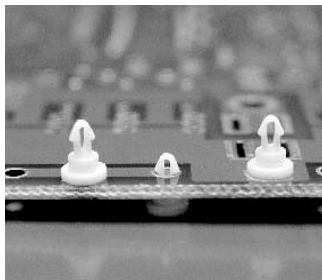
Part Number	Figure	Ref. "H", mm [in.]	Base Dia., ø, mm [in.]
Mounting Hole Dia. = ø3.0 mm [ø0.118 in.]			
To Fit Panel Thickness = 1.2 - 1.7 mm [0.047 - 0.067 in.]			
PCBS-A-020	1	2.0 [0.079]	ø6.5 [0.256]
PCBS-A-025	1	2.5 [0.098]	ø6.5 [0.256]
PCBS-A-030	1	3.0 [0.118]	ø6.8 [0.268]
PCBS-A-035	1	3.5 [0.138]	ø6.8 [0.268]
PCBS-A-040	1	4.0 [0.157]	ø6.8 [0.268]
PCBS-A-050	2	5.0 [0.197]	ø6.0 [0.236]
PCBS-A-060	2	6.0 [0.236]	ø6.8 [0.268]
PCBS-A-065	2	6.5 [0.256]	ø6.0 [0.236]
PCBS-A-070	2	7.0 [0.276]	ø6.0 [0.236]
PCBS-A-080	2	8.0 [0.315]	ø6.8 [0.268]
PCBS-A-100	2	10.0 [0.394]	ø6.8 [0.268]
PCBS-A-150	2	15.0 [0.591]	ø6.0 [0.236]

RoHS COMPLIANT

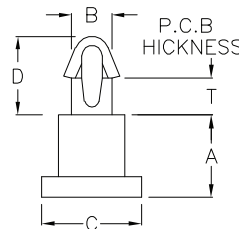
Specifications:

Material: Nylon 6/6
UL Rating: 94V-2
Color: Natural
Package: 1000 EA

Nylon PCB Support PCBS-PCE Series, Snap-Lock, Rest Mount



HOLE IN P.C.B



RoHS COMPLIANT

Specifications:

Material: Nylon 6/6
UL Rating: 94V-2
Color: Natural

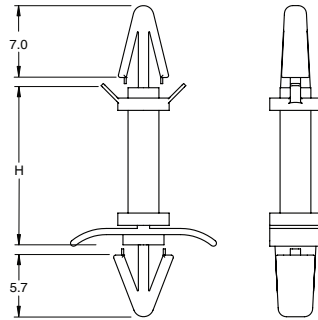
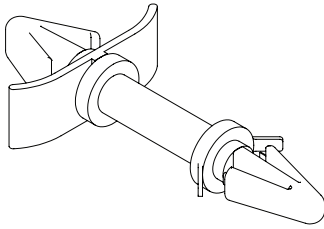
Part Number	Height "A", mm [in.]	Hole Dia in PCB "B", ø, mm [in.]	Base Dia. "C", ø, mm [in.]	Ref. "D", mm [in.]	PCB Thickness "T", mm [in.]	Standard Package
PCBS-PCE-1A	1.5 [0.059]	ø2.0 [0.079]	ø4.8 [0.189]	2.0 [0.079]	1.6 [0.063]	2000
PCBS-PCE-2	2.0 [0.079]	ø2.0 [0.079]	ø4.2 [0.165]	2.3 [0.091]	1.6 [0.063]	
PCBS-PCE-2A	2.5 [0.098]	ø2.0 [0.079]	ø4.8 [0.189]	2.0 [0.079]	1.6 [0.063]	
PCBS-PCE-2C	2.0 [0.079]	ø2.0 [0.079]	ø4.8 [0.189]	2.0 [0.079]	2.0 [0.079]	
PCBS-PCE-2D	2.9 [0.114]	ø2.0 [0.079]	ø4.2 [0.165]	2.3 [0.091]	1.6 [0.063]	
PCBS-PCE-3	3.0 [0.118]	ø2.0 [0.079]	ø4.2 [0.165]	2.0 [0.079]	1.6 [0.063]	
PCBS-PCE-3A	2.6 [0.102]	ø2.0 [0.079]	ø4.1 [0.161]	2.0 [0.079]	1.6 [0.063]	
PCBS-PCE-4	4.0 [0.157]	ø1.5 [0.059]	ø3.0 [0.118]	2.0 [0.079]	1.6 [0.063]	
PCBS-PCE-4A	4.0 [0.157]	ø2.0 [0.079]	ø4.8 [0.189]	2.1 [0.083]	1.6 [0.063]	
PCBS-PCE-4F	4.7 [0.185]	ø2.0 [0.079]	ø4.8 [0.189]	2.0 [0.079]	1.6 [0.063]	
PCBS-PCE-5	5.0 [0.197]	ø2.0 [0.079]	ø4.8 [0.189]	2.0 [0.079]	1.6 [0.063]	
PCBS-PCE-6	6.0 [0.236]	ø2.0 [0.079]	ø4.8 [0.189]	2.1 [0.083]	1.6 [0.063]	
PCBS-PCE-6A	6.5 [0.256]	ø2.0 [0.079]	ø4.8 [0.189]	2.2 [0.087]	1.6 [0.063]	
PCBS-PCE-6C	6.5 [0.256]	ø2.0 [0.079]	ø4.8 [0.189]	2.0 [0.079]	1.6 [0.063]	
PCBS-PCE-8	8.0 [0.315]	ø2.0 [0.079]	ø4.8 [0.189]	3.0 [0.118]	1.6 [0.063]	
PCBS-PCE-9	9.0 [0.354]	ø2.0 [0.079]	ø5.0 [0.197]	2.0 [0.079]	1.6 [0.063]	

all dimension units in millimeter (mm) unless noted otherwise

www.vaisis.com | P: 626-795-6696 | F: 626-795-6896 | Email: sales@vaisis.com

Vaisis

Nylon PCB Support PCBS-B Series, Snap-Lock, Dual Locking Ends



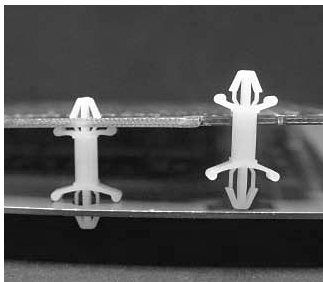
RoHS COMPLIANT

Specifications:

Material: Nylon 6/6
UL Rating: 94V-2
Color: Natural
Package: 1,000 EA

Part Number	Ref. "H", mm [in.]
Mounting Hole 1 Dia. = $\varnothing 4.0$ mm [$\varnothing 0.157$ in.]	
To Fit Panel 1 Thickness = 1.2 - 1.7 mm [0.047 - 0.067 in.]	
Mounting Hole 2 Dia. = $\varnothing 4.8$ mm [$\varnothing 0.189$ in.]	
To Fit Panel 2 Thickness = 0.8 - 2.2 mm [0.031 - 0.087 in.]	
PCBS-B-050	5.0 [0.197]
PCBS-B-063	6.3 [0.248]
PCBS-B-080	8.0 [0.315]
PCBS-B-100	10.0 [0.394]
PCBS-B-127	12.7 [0.500]
PCBS-B-159	15.9 [0.625]
PCBS-B-200	20.0 [0.787]
PCBS-B-250	25.0 [0.984]

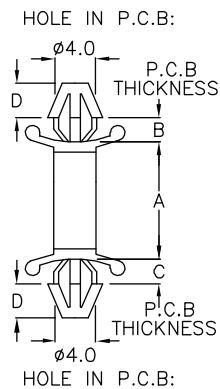
Nylon PCB Support PCBS-LCA4 Series, Snap-Lock, Dual Locking Ends



RoHS COMPLIANT

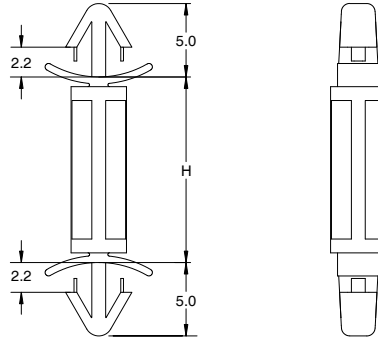
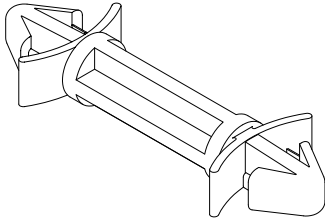
Specifications:

Material: Nylon 6/6
UL Rating: 94V-2
Color: Natural



Part Number	Length "A" mm [in.]	PCB Thickness "B", mm [in.]	PCB Thickness "C", mm [in.]	Ref. "D", mm [in.]	Standard Package
Mounting Hole Dia. in PCB = $\varnothing 4.0$ mm [$\varnothing 0.157$ in.]					
PCBS-LCA4-5	4.9 [0.193]	1.6-1.9 [0.063-0.075]	1.6-1.9 [0.063-0.075]	3.0 [0.118]	1000
PCBS-LCA4-8	7.1 [0.280]	1.2-1.8 [0.047-0.071]	1.2-1.8 [0.047-0.071]	3.6 [0.142]	
PCBS-LCA4-8A	7.6 [0.299]	2.5-3.0 [0.098-0.118]	2.5-3.0 [0.098-0.118]	2.6 [0.102]	
PCBS-LCA4-9	8.8 [0.346]	1.6-2.0 [0.063-0.079]	1.6-2.0 [0.063-0.079]	3.0 [0.118]	
PCBS-LCA4-10	10.0 [0.394]	1.2-2.0 [0.047-0.079]	1.2-2.0 [0.047-0.079]	3.6 [0.142]	
PCBS-LCA4-10A	10.4 [0.409]	1.1-1.8 [0.043-0.071]	1.6-3.1 [0.063-0.122]	3.6 [0.142]	
PCBS-LCA4-12	13.1 [0.516]	1.1-2.0 [0.043-0.079]	1.1-2.0 [0.043-0.079]	3.6 [0.142]	
PCBS-LCA4-15	15.9 [0.626]	1.1-2.0 [0.043-0.079]	1.1-2.0 [0.043-0.079]	3.6 [0.142]	
PCBS-LCA4-16	16.2 [0.638]	1.3-2.2 [0.051-0.087]	1.3-2.2 [0.051-0.087]	3.6 [0.142]	
PCBS-LCA4-17	17.2 [0.677]	1.1-2.0 [0.043-0.079]	1.1-2.0 [0.043-0.079]	3.6 [0.142]	
PCBS-LCA4-20A	19.6 [0.772]	1.1-2.0 [0.043-0.079]	1.7-3.5 [0.067-0.138]	3.6 [0.142]	500
PCBS-LCA4-29M	29.5 [1.161]	1.0-1.7 [0.039-0.067]	1.0-1.7 [0.039-0.067]	3.6 [0.142]	
PCBS-LCA4-31	30.8 [1.213]	1.0-1.7 [0.039-0.067]	1.0-1.7 [0.039-0.067]	3.6 [0.142]	
PCBS-LCA4-34A	34.0 [1.339]	1.1-1.9 [0.043-0.075]	1.6-3.1 [0.063-0.122]	3.6 [0.142]	
PCBS-LCA4-34C	34.0 [1.339]	0.8-2.0 [0.031-0.079]	1.7-3.5 [0.067-0.138]	3.6 [0.142]	
PCBS-LCA4-36	36.0 [1.417]	2.0-3.0 [0.079-0.118]	2.0-3.0 [0.079-0.118]	3.6 [0.142]	
PCBS-LCA4-36A	35.3 [1.390]	2.5-3.8 [0.098-0.150]	2.5-3.8 [0.098-0.150]	3.6 [0.142]	
PCBS-LCA4-44	43.6 [1.717]	0.8-1.9 [0.031-0.075]	0.8-1.9 [0.031-0.075]	3.6 [0.142]	
PCBS-LCA4-55	55.0 [2.165]	0.8-1.8 [0.031-0.071]	0.8-1.8 [0.031-0.071]	3.6 [0.142]	
PCBS-LCA4-56	56.4 [2.220]	1.0-1.6 [0.039-0.063]	1.0-1.6 [0.039-0.063]	3.6 [0.142]	

Nylon PCB Support PCBS-C Series, Snap-Lock, Dual Locking Ends



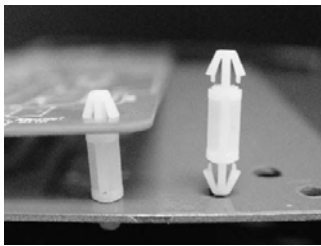
RoHS COMPLIANT

Specifications:

Material: Nylon 6/6
UL Rating: 94V-2
Color: Natural
Package: 1,000 EA

Part Number	Ref "H", mm [in.]
For Both Locking End: Mounting Hole Dia. = \varnothing 3.0 mm [\varnothing 0.118 in.] To Fit Panel Thickness = 1.2 - 2.0 mm [0.047 - 0.079 in.]	
PCBS-C-032	3.2 [0.125]
PCBS-C-050	5.0 [0.197]
PCBS-C-064	6.4 [0.250]
PCBS-C-070	7.0 [0.276]
PCBS-C-080	8.0 [0.315]
PCBS-C-095	9.5 [0.375]
PCBS-C-112	11.2 [0.441]
PCBS-C-120	12.0 [0.472]
PCBS-C-150	15.0 [0.591]
PCBS-C-170	17.0 [0.669]
PCBS-C-202	20.2 [0.795]
PCBS-C-254	25.4 [1.000]

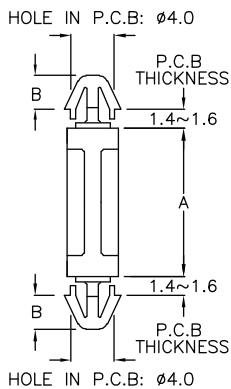
Nylon PCB Support PCBS-KCA Series, Snap-Lock, Dual Locking Ends



RoHS COMPLIANT

Specifications:

Material: Nylon 6/6
UL Rating: 94V-2
Color: Natural



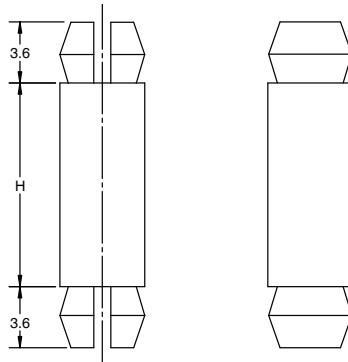
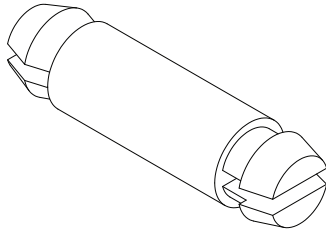
Part Number	Length "A", mm [in.]	Ref. "B", mm [in.]	Standard Package
Mounting Hole Dia. (For both ends) = \varnothing 4.0 mm [\varnothing 0.157 in.] To Fit PCB Thickness (For both ends) = 1.4 - 1.6 mm [0.055 - 0.063 in.]			
PCBS-KCA-3	3.2 [0.126]	3.6 [0.142]	2000
PCBS-KCA-4	4.0 [0.157]	3.8 [0.150]	
PCBS-KCA-5	5.0 [0.197]	3.6 [0.142]	1000
PCBS-KCA-6	6.4 [0.250]	3.6 [0.142]	
PCBS-KCA-8	8.0 [0.315]	3.6 [0.142]	
PCBS-KCA-9	9.5 [0.374]	3.6 [0.142]	
PCBS-KCA-10	10.5 [0.413]	3.6 [0.142]	
PCBS-KCA-11	11.0 [0.433]	3.6 [0.142]	
PCBS-KCA-12	12.7 [0.500]	3.6 [0.142]	
PCBS-KCA-12S	12.7 [0.500]	3.2 [0.126]	
PCBS-KCA-14	14.0 [0.551]	3.0 [0.118]	
PCBS-KCA-15	15.7 [0.618]	3.6 [0.142]	
PCBS-KCA-19	19.0 [0.748]	3.6 [0.142]	500
PCBS-KCA-20	20.0 [0.787]	3.6 [0.142]	
PCBS-KCA-25	25.0 [0.984]	3.7 [0.146]	
PCBS-KCA-28A	28.5 [1.122]	3.6 [0.142]	
PCBS-KCA-30	30.0 [1.181]	3.7 [0.146]	
PCBS-KCA-34	34.0 [1.339]	3.6 [0.142]	200
PCBS-KCA-34A	34.0 [1.339]	3.6 [0.142]	
PCBS-KCA-40A	40.4 [1.591]	3.6 [0.142]	
PCBS-KCA-69	69.0 [2.717]	3.7 [0.146]	
PCBS-KCA-80	80.0 [3.150]	3.0 [0.118]	

all dimension units in millimeter (mm) unless noted otherwise

www.vaisis.com | P: 626-795-6696 | F: 626-795-6896 | Email: sales@vaisis.com

Vaisis

Nylon PCB Support PCBS-D Series, Snap-Fit, Dual Locking Ends



RoHS COMPLIANT

Specifications:

Material: Nylon 6/6
UL Rating: 94V-2
Color: Natural
Package: 1,000 EA

Part Number	Ref. "H", mm [in.]
For Both Locking End: Mounting Hole Dia. = $\phi 4.0$ mm [$\phi 0.157$ in.] To Fit Panel Thickness = 1.2 - 1.7 mm [0.047 - 0.067 in.]	
PCBS-D-050	5.0 [0.197]
PCBS-D-064	6.4 [0.250]
PCBS-D-080	8.0 [0.315]
PCBS-D-095	9.5 [0.375]
PCBS-D-105	10.5 [0.413]
PCBS-D-127	12.7 [0.500]
PCBS-D-140	14.0 [0.551]
PCBS-D-159	15.9 [0.625]
PCBS-D-190	19.0 [0.748]
PCBS-D-220	22.0 [0.866]

Nylon PCB Support PCBS-LT Series, Snap-Lock, Edge Hold

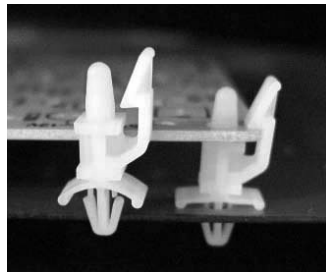


Fig. 1

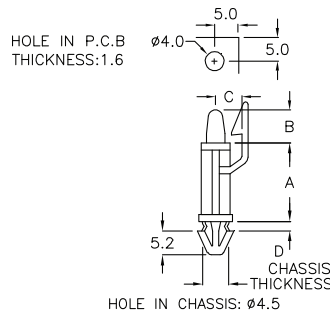
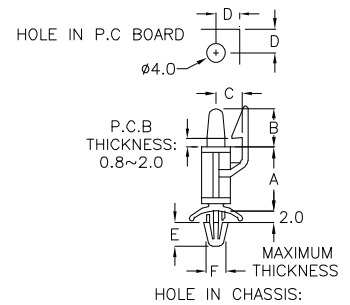


Fig. 2



Please refer to drawing Fig.1 for the following table

Part Number	Length "A", mm [in.]	Ref. "B", mm [in.]	Ref. "C", mm [in.]	Chassis Thickness "D", mm [in.]	Std. Pkg.
Mount hole Dia. in PCB = $\phi 4.0$ mm [$\phi 0.157$ in.], PCB Thickness = 0.8 - 2.0 mm [0.031 - 0.079 in.] Mounting hole dia. in Chassis = $\phi 4.5$ mm [$\phi 0.177$ in.], Maximum Chassis Thickness = 2.0 mm [0.079 in.]					
PCBS-LT-08A	7.5 [0.295]	7.0 [0.276]	5.8 [0.228]	1.2-1.6 [0.047-0.063]	500
PCBS-LT-18A	18.6 [0.732]	7.4 [0.291]	5.4 [0.213]	1.0-1.4 [0.039-0.055]	

RoHS COMPLIANT

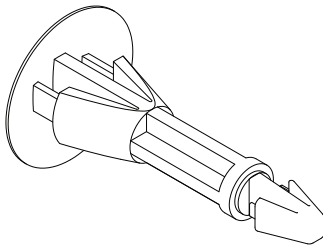
Specifications:

Material: Nylon 6/6
UL Rating: 94V-2
Color: Natural

Please refer to drawing Fig.2 for the following table

Part Number	Length "A", mm [in.]	Ref. "B", mm [in.]	Ref. "C", mm [in.]	Ref. "D", mm [in.]	Ref. "E", mm [in.]	Hole Dia. In Chassis "F", ϕ , mm [in.]	Std. Pkg.
Mount hole Dia. in PCB = $\phi 4.0$ mm [$\phi 0.157$ in.], PCB Thickness = 0.8 - 2.0 mm [0.031 - 0.079 in.] Mounting hole dia. in Chassis = See Ref. "F", Maximum Chassis Thickness = 2.0 mm [0.079 in.]							
PCBS-LT-10	9.2 [0.362]	7.4 [0.291]	5.5 [0.217]	5.0 [0.197]	5.2 [0.205]	$\phi 4.0$ [0.157]	500
PCBS-LT-12	11.9 [0.469]	7.4 [0.291]	5.5 [0.217]	5.0 [0.197]	4.5 [0.177]	$\phi 4.0$ [0.157]	
PCBS-LT-15	15.1 [0.594]	7.4 [0.291]	5.5 [0.217]	5.0 [0.197]	5.2 [0.205]	$\phi 4.0$ [0.157]	
PCBS-LT-18	17.2 [0.677]	7.4 [0.291]	5.5 [0.217]	5.0 [0.197]	5.2 [0.205]	$\phi 4.0$ [0.157]	
PCBS-LT-26	26.2 [1.031]	15.0 [0.591]	6.4 [0.252]	6.0 [0.236]	5.2 [0.205]	$\phi 5.0$ [0.197]	

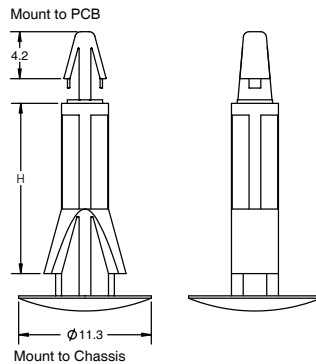
Nylon PCB Support PCBS-E Series, Snap-Lock, Reverse Dual Lock



RoHS COMPLIANT

Specifications:

Material: Nylon 6/6
UL Rating: 94V-2
Color: Natural
Package: 1,000 EA



Part Number	Ref. "H", mm [in.]
Mounting Hole 1 (to PCB) Dia. = 4.0 mm [0.157 in.] To Fit PCB Thickness = 1.2 - 1.7 mm [0.047 - 0.067 in.] Mounting Hole 2 (to Chassis) Dia. = 5.5 mm [0.217 in.] To Fit Chassis Panel Thickness = 1.5 - 2.2 mm [0.059 - 0.087 in.]	
PCBS-E-030	3.0 [0.118]
PCBS-E-050	5.0 [0.197]
PCBS-E-064	6.4 [0.250]
PCBS-E-080	8.0 [0.315]
PCBS-E-100	10.0 [0.394]
PCBS-E-120	12.0 [0.472]
PCBS-E-159	15.9 [0.625]
PCBS-E-190	19.0 [0.748]
PCBS-E-254	25.4 [1.000]
PCBS-E-355	35.5 [1.398]

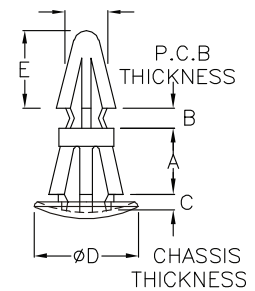
Nylon PCB Support PCBS-SCB Series, Snap-Lock, Reverse Dual Lock

RoHS COMPLIANT

Specifications:

Material: Nylon 6/6
UL Rating: 94V-2
Color: Natural

HOLE IN P.C.B: ø4.0



Part Number	Length "A", mm [in.]	PCB Thickness "B", mm [in.]	Chassis Thickness "C", mm [in.]	Cap Dia. "D", mm [in.]	Ref. "E", mm [in.]	Standard Package
Mounting Hole Dia. in Chassis = 5.5 mm [0.217 in.] Mounting Hole Dia. in PCB = 4.0 mm [0.157 in.]						
PCBS-SCB-5	5.0 [0.197]	1.2-1.6 [0.047-0.063]	0.8-1.4 [0.031-0.055]	10.0 [0.394]	7.4 [0.291]	1000
PCBS-SCB-5.5	5.5 [0.217]	1.2-1.6 [0.047-0.063]	0.8-1.7 [0.031-0.067]	10.0 [0.394]	7.1 [0.280]	
PCBS-SCB-6	6.4 [0.250]	1.2-1.6 [0.047-0.063]	0.8-1.2 [0.031-0.047]	10.0 [0.394]	7.5 [0.295]	
PCBS-SCB-6A	6.5 [0.256]	1.4-1.8 [0.055-0.071]	0.8-1.7 [0.031-0.067]	10.1 [0.398]	7.1 [0.280]	
PCBS-SCB-6F	6.5 [0.256]	1.2-1.6 [0.047-0.063]	1.0-2.0 [0.039-0.079]	10.0 [0.394]	4.9 [0.193]	
PCBS-SCB-8A	8.0 [0.315]	1.2-1.6 [0.047-0.063]	0.8-1.4 [0.031-0.055]	9.9 [0.390]	7.1 [0.280]	
PCBS-SCB-8A	8.0 [0.315]	1.2-1.6 [0.047-0.063]	0.8-1.1 [0.031-0.043]	10.1 [0.398]	7.4 [0.291]	
PCBS-SCB-9A	9.0 [0.354]	1.2-1.8 [0.047-0.071]	0.8-1.4 [0.031-0.055]	10.0 [0.394]	7.3 [0.287]	
PCBS-SCB-10	10.0 [0.394]	1.2-1.6 [0.047-0.063]	0.8-1.2 [0.031-0.047]	10.0 [0.394]	7.6 [0.299]	
PCBS-SCB-10A	10.0 [0.394]	1.5-2.4 [0.059-0.094]	1.0-1.4 [0.039-0.055]	10.0 [0.394]	7.1 [0.280]	
PCBS-SCB-12	12.4 [0.488]	1.2-1.6 [0.047-0.063]	0.8-1.4 [0.031-0.055]	9.9 [0.390]	7.2 [0.283]	
PCBS-SCB-15	15.6 [0.614]	1.2-1.6 [0.047-0.063]	0.8-1.4 [0.031-0.055]	9.8 [0.386]	7.3 [0.287]	
PCBS-SCB-16	16.2 [0.638]	1.2-1.6 [0.047-0.063]	0.7-1.2 [0.028-0.047]	9.8 [0.386]	6.6 [0.260]	
PCBS-SCB-19	19.0 [0.748]	1.2-1.6 [0.047-0.063]	0.8-1.4 [0.031-0.055]	9.9 [0.390]	7.5 [0.295]	
PCBS-SCB-24	24.0 [0.945]	1.2-1.6 [0.047-0.063]	0.8-1.4 [0.031-0.055]	9.8 [0.386]	7.5 [0.295]	
PCBS-SCB-28A	28.3 [1.114]	1.4-1.8 [0.055-0.071]	0.8-1.0 [0.031-0.039]	10.0 [0.394]	6.4 [0.252]	

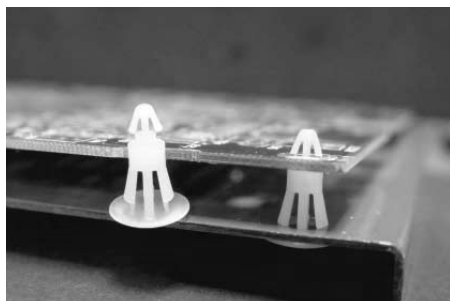
all dimension units in millimeter (mm) unless noted otherwise

www.vaisis.com | P: 626-795-6696 | F: 626-795-6896 | Email: sales@vaisis.com

Vaisis

Nylon PCB Support

PCBS-SCE/SCK Series, Snap-Lock, Reverse Dual Lock

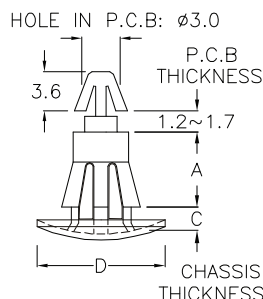


RoHS COMPLIANT

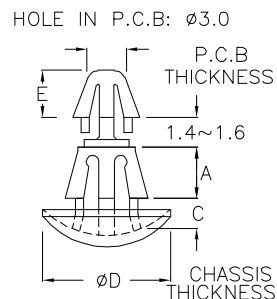
Specifications:

Material: Nylon 6/6
UL Rating: 94V-2
Color: Natural

Part Number	Length "A", mm [in.]	Chassis Thickness "C", mm [in.]	Cap Dia. "D" ø, mm [in.]	Standard Package
Mounting Hole Dia. in Chassis = 4.0 mm [0.157 in.] Mounting Hole Dia. in PCB = 3.0 mm [0.118 in.], PCB Thickness = 1.2 - 1.7 mm [0.047 - 0.067 in.]				
PCBS-SCE-3A	3.5 [0.138]	1.1-1.7 [0.043-0.067]	ø11.5 [0.451]	1000
PCBS-SCE-6	6.4 [0.250]	1.1-1.6 [0.043-0.063]	ø11.5 [0.451]	
PCBS-SCE-8	8.0 [0.315]	1.1-1.6 [0.043-0.063]	ø11.5 [0.451]	
PCBS-SCE-10	9.7 [0.382]	1.1-1.6 [0.043-0.063]	ø11.5 [0.451]	
PCBS-SCE-10C	9.7 [0.382]	1.1-1.6 [0.043-0.063]	ø7.0 [0.276]	500
PCBS-SCE-10A	10.5 [0.413]	1.1-1.6 [0.043-0.063]	ø11.5 [0.451]	
PCBS-SCE-11	11.0 [0.433]	1.1-1.6 [0.043-0.063]	ø11.5 [0.451]	

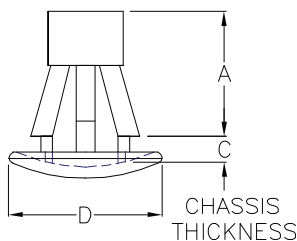


Part Number	Length "A", mm [in.]	Chassis Thickness "C", mm [in.]	Cap Dia. "D", ø, mm [in.]	Ref. "E", mm [in.]	Standard Package
Mounting Hole Dia. in Chassis = 4.0 mm [0.157 in.] Mounting Hole Dia. in PCB = 3.0 mm [0.118 in.], PCB Thickness = 1.4 - 1.6 mm [0.055 - 0.063 in.]					
PCBS-SCK-2C	2.5 [0.098]	0.8-1.0 [0.031-0.039]	ø5.8 [0.228]	2.7 [0.106]	1000
PCBS-SCK-3A	3.2 [0.126]	0.8-1.6 [0.031-0.063]	ø8.2 [0.323]	3.1 [0.122]	
PCBS-SCK-04	4.0 [0.157]	0.8-1.6 [0.031-0.063]	ø8.2 [0.323]	3.1 [0.122]	
PCBS-SCK-06	6.0 [0.236]	0.8-1.6 [0.031-0.063]	ø8.2 [0.323]	3.1 [0.122]	
PCBS-SCK-08	8.0 [0.315]	0.8-1.6 [0.031-0.063]	ø8.2 [0.323]	3.1 [0.122]	
PCBS-SCK-10	10.0 [0.394]	0.8-1.6 [0.031-0.063]	ø8.2 [0.323]	3.1 [0.122]	
PCBS-SCK-12	12.0 [0.472]	0.8-1.6 [0.031-0.063]	ø8.2 [0.323]	3.1 [0.122]	



Nylon PCB Support

PCBS-FCB Series, Snap-Lock, Reverse Rest Mount



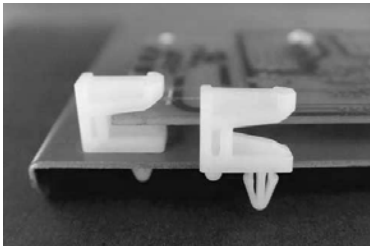
Specifications:

Material: Nylon 6/6
UL Rating: 94V-2
Color: Natural

RoHS COMPLIANT

Part Number	Length "A" mm [in.]	Chassis Thickness, "C" mm [in.]	Cap Dia. "D" ø, mm [in.]	Standard Package
Mounting Hole in Chassis = 5.5 mm [0.217 in.]				
PCBS-FCB-4M	4.5 [0.177]	0.8-1.2 [0.031-0.047]	ø9.8 [0.386]	1000
PCBS-FCB-5	5.0 [0.197]	1.4-2.0 [0.055-0.079]	ø11.5 [0.453]	
PCBS-FCB-6	6.4 [0.250]	1.0-2.0 [0.039-0.079]	ø10.4 [0.409]	
PCBS-FCB-6A	6.4 [0.250]	1.5-2.3 [0.059-0.091]	ø10.0 [0.394]	
PCBS-FCB-7	7.0 [0.276]	1.3-1.9 [0.051-0.075]	ø10.4 [0.409]	
PCBS-FCB-8	8.0 [0.315]	1.0-1.4 [0.039-0.055]	ø9.8 [0.386]	
PCBS-FCB-10	10.0 [0.394]	1.0-1.4 [0.039-0.055]	ø9.8 [0.386]	
PCBS-FCB-10A	10.0 [0.394]	1.4-2.0 [0.055-0.079]	ø11.5 [0.453]	
PCBS-FCB-12	12.7 [0.500]	1.0-1.4 [0.039-0.055]	ø9.8 [0.386]	
PCBS-FCB-12A	12.7 [0.500]	1.2-2.2 [0.047-0.087]	ø9.9 [0.390]	
PCBS-FCB-14	13.9 [0.547]	1.5-2.0 [0.059-0.079]	ø9.9 [0.390]	500
PCBS-FCB-15	15.7 [0.618]	1.6-2.2 [0.063-0.087]	ø9.8 [0.386]	

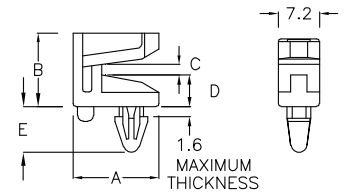
Nylon PCB Support Edge Hold Spacer, Various Styles



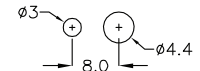
RoHS COMPLIANT

Specifications:

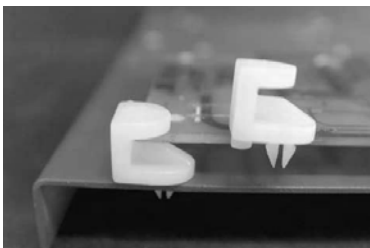
Material: Nylon 6/6
UL Rating: 94V-2
Color: Natural



HOLE IN CHASSIS:



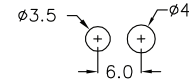
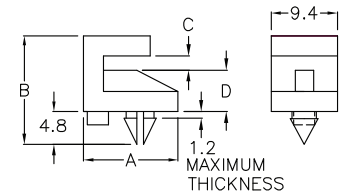
Part Number	Ref. "A", mm [in.]	Ref. "B", mm [in.]	PCB Thickness "C", mm [in.]	Spacing Height "D", mm [in.]	Ref. "E", mm [in.]	Standard Package
PCBS-UB-5A	15.0 [0.591]	12.8 [0.504]	1.8 [0.071]	5.5 [0.217]	8.0 [0.315]	500



RoHS COMPLIANT

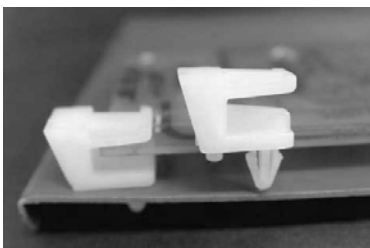
Specifications:

Material: Nylon 6/6
UL Rating: 94V-2
Color: Natural



HOLE IN CHASSIS:

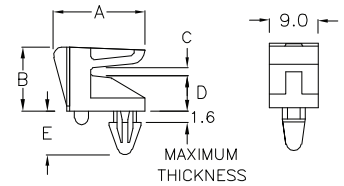
Part Number	Ref. "A", mm [in.]	Ref. "B", mm [in.]	PCB Thickness "C", mm [in.]	Spacing Height "D", mm [in.]	Standard Package
PCBS-UB-6	12.6 [0.496]	15.5 [0.610]	1.9 [0.075]	6.0 [0.236]	500



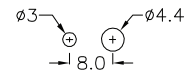
RoHS COMPLIANT

Specifications:

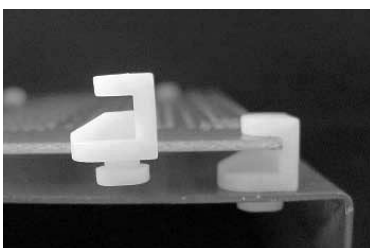
Material: Nylon 6/6
UL Rating: 94V-2
Color: Natural



HOLE IN CHASSIS:



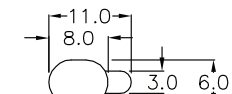
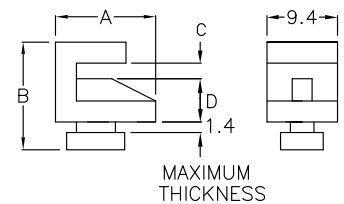
Part Number	Ref. "A", mm [in.]	Ref. "B", mm [in.]	PCB Thickness "C", mm [in.]	Spacing Height "D", mm [in.]	Ref. "E", mm [in.]	Pkg.
PCBS-UB-6BT	17.4 [0.685]	11.8 [0.465]	1.3 [0.051]	6.5 [0.256]	8.5 [0.335]	500
PCBS-UB-6CT	17.5 [0.689]	12.1 [0.476]	1.3 [0.051]	6.5 [0.256]	8.0 [0.315]	



RoHS COMPLIANT

Specifications:

Material: Nylon 6/6
UL Rating: 94V-2
Color: Natural



HOLE IN CHASSIS

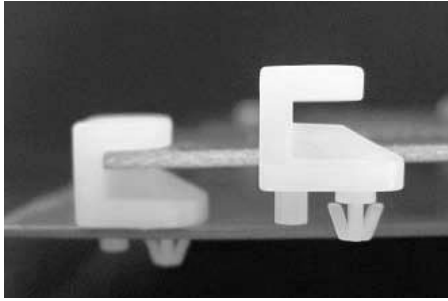
Part Number	Ref. "A", mm [in.]	Ref. "B", mm [in.]	PCB Thickness "C", mm [in.]	Spacing Height "D", mm [in.]	Pkg
PCBS-UB-6A	12.5 [0.492]	14.6 [0.575]	1.9 [0.075]	5.9 [0.232]	500
PCBS-UB-6D	12.3 [0.484]	15.3 [0.602]	2.3 [0.091]	6.4 [0.252]	

all dimension units in millimeter (mm) unless noted otherwise

www.vaisis.com | P: 626-795-6696 | F: 626-795-6896 | Email: sales@vaisis.com

Nylon PCB Support

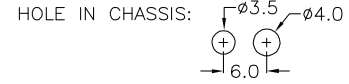
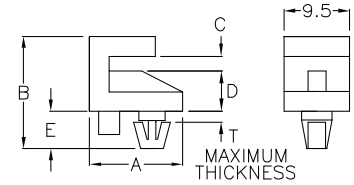
Edge Hold Spacer, Various Styles



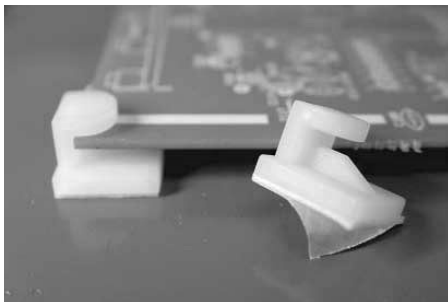
RoHS COMPLIANT

Specifications:

Material: Nylon 6/6
UL Rating: 94V-2
Color: Natural



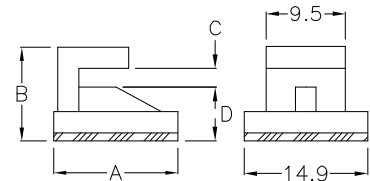
Part Number	Ref. "A", mm [in.]	Ref. "B", mm [in.]	PCB Thickness "C", mm [in.]	Spacing Height "D", mm [in.]	Ref. "E", mm [in.]	Max. Chassis Thickness "T", mm [in.]	Standard Package
PCBS-UB-6C	13.4 [0.528]	15.6 [0.614]	2.1 [0.083]	6.0 [0.236]	4.9 [0.193]	1.3 [0.051]	500
PCBS-UB-6E	13.5 [0.531]	15.8 [0.622]	2.2 [0.087]	6.4 [0.252]	4.9 [0.193]	1.3 [0.051]	
PCBS-UB-6K	13.4 [0.528]	16.5 [0.650]	2.1 [0.083]	6.0 [0.236]	5.8 [0.228]	2.1 [0.083]	



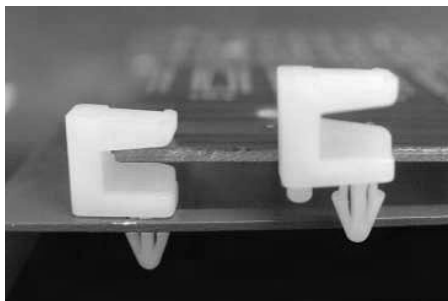
RoHS COMPLIANT

Specifications:

Material: Nylon 6/6
UL Rating: 94V-2
Color: Natural
Adhesive: 3M™ 4032



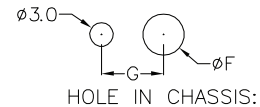
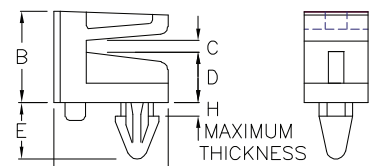
Part Number	Ref. "A", mm [in.]	Ref. "B", mm [in.]	PCB Thickness "C", mm [in.]	Spacing Height "D", mm [in.]	Standard Package
PCBS-UB-6F	15.0 [0.591]	11.0 [0.433]	2.2 [0.087]	6.4 [0.252]	500
PCBS-UB-11F	15.0 [0.591]	15.8 [0.622]	2.5 [0.098]	10.8 [0.425]	
PCBS-UB-12F	15.0 [0.591]	16.9 [0.665]	2.3 [0.091]	12.0 [0.472]	



RoHS COMPLIANT

Specifications:

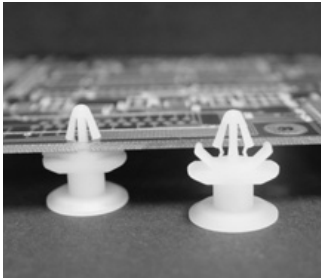
Material: Nylon 6/6
UL Rating: 94V-2
Color: Natural



Part Number	Ref. "A", mm [in.]	Ref. "B", mm [in.]	PCB Thickness "C", mm [in.]	Spacing Height "D", mm [in.]	Mounting Hole Dia. "F", mm [in.]	Mounting Hole Spacing "G", mm [in.]	Max. Chassis Thickness "H", mm [in.]	Ref. "E", mm [in.]	Standard Package
PCBS-UB-6H	21.5 [0.846]	11.8 [0.465]	1.3 [0.051]	6.6 [0.260]	4.4 [0.173]	8.0 [0.315]	1.6 [0.063]	8.0 [0.315]	500
PCBS-UB-6T	14.8 [0.583]	11.9 [0.469]	1.3 [0.051]	6.6 [0.260]	4.4 [0.173]	8.0 [0.315]	1.7 [0.067]	7.9 [0.311]	
PCBS-UB-6U	12.0 [0.472]	11.8 [0.465]	1.3 [0.051]	6.6 [0.260]	4.4 [0.173]	6.5 [0.256]	1.8 [0.071]	8.0 [0.315]	
PCBS-UB-8U	12.0 [0.472]	14.0 [0.551]	2.0 [0.079]	8.5 [0.335]	4.4 [0.173]	6.5 [0.256]	0.8 [0.031]	8.0 [0.315]	
PCBS-UB-14T	15.0 [0.591]	19.2 [0.756]	1.3 [0.051]	14.0 [0.551]	4.4 [0.173]	8.0 [0.315]	1.8 [0.071]	8.0 [0.315]	
PCBS-UB-18T	15.5 [0.610]	23.6 [0.929]	1.6 [0.063]	18.2 [0.717]	5.0 [0.197]	8.5 [0.335]	1.8 [0.071]	8.2 [0.323]	200

Nylon PCB Support

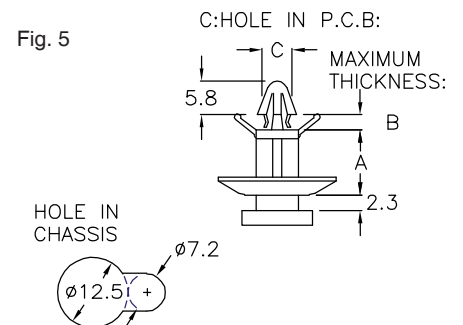
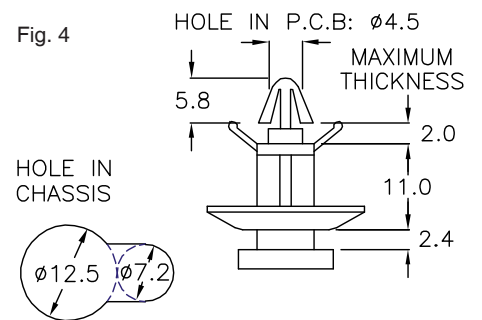
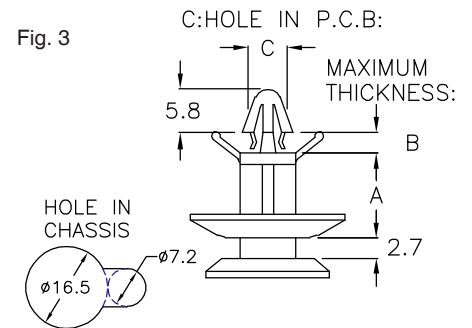
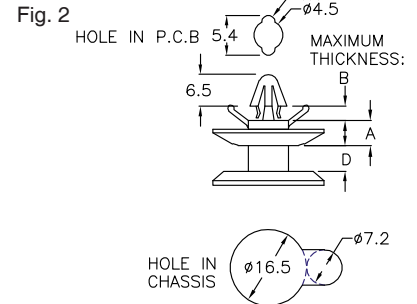
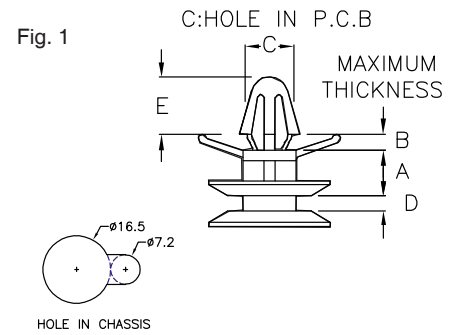
PCBS-LSD Series, Keyslot Mount Spacer



RoHS COMPLIANT

Specifications:

Material: Nylon 6/6
UL Rating: 94V-2
Color: Natural



Part Number	Ref. "A", mm [in.]	Ref. "B", mm [in.]	Hole in PCB Dia. "C", ϕ , mm [in.]	Ref. "D", mm [in.]	Standard Package
Refer to Fig. 1 for drawing					
PCBS-LSD-4A	4.5 [0.177]	2.0 [0.079]	$\phi 4.5$ [0.177]	2.7 [0.106]	500
PCBS-LSD-6	6.0 [0.236]	1.6 [0.063]	$\phi 6.0$ [0.236]	2.0 [0.079]	
PCBS-LSD-9A	9.5 [0.374]	1.6 [0.063]	$\phi 4.5$ [0.177]	2.0 [0.079]	
PCBS-LSD-9C	8.6 [0.339]	1.6 [0.063]	$\phi 6.0$ [0.236]	2.0 [0.079]	
PCBS-LSD-13A	13.3 [0.524]	1.6 [0.063]	$\phi 6.0$ [0.236]	2.0 [0.079]	

Part Number	Ref. "A", mm [in.]	Ref. "B", mm [in.]	Ref. "D", mm [in.]	Standard Package
Refer to Fig.2 for drawing				
PCBS-LSD-8	3.3 [0.130]	2.0 [0.079]	2.7 [0.106]	500
PCBS-LSD-8C	3.2 [0.126]	2.0 [0.079]	5.1 [0.201]	

Part Number	Ref. "A", mm [in.]	Ref. "B", mm [in.]	Hole in PCB Dia. "C", ϕ , mm [in.]	Standard Package
Refer to Fig.3 for drawing				
PCBS-LSD-9B	8.6 [0.339]	4.0 [0.157]	$\phi 4.5$ [0.177]	500
PCBS-LSD-11A	11.1 [0.437]	2.0 [0.079]	$\phi 4.5$ [0.177]	
PCBS-LSD-12	12.1 [0.476]	1.6 [0.063]	$\phi 4.5$ [0.177]	
PCBS-LSD-12A	12.1 [0.476]	2.0 [0.079]	$\phi 4.5$ [0.177]	
PCBS-LSD-14	14.0 [0.551]	1.6 [0.063]	$\phi 4.5$ [0.177]	

Part Number	Standard Package
Refer to Fig. 4 for drawing and specifications	
PCBS-LSD-11	500

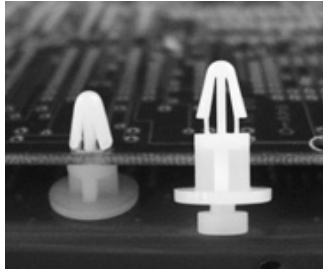
Part Number	Ref. "A", mm [in.]	Ref. "B", mm [in.]	Hole in PCB Dia. "C", ϕ , mm [in.]	Standard Package
Refer to Fig. 5 for drawing				
PCBS-LSD-11C	11.0 [0.433]	2.0 [0.079]	$\phi 4.5$ [0.177]	500

all dimension units in millimeter (mm) unless noted otherwise

www.vaisis.com | P: 626-795-6696 | F: 626-795-6896 | Email: sales@vaisis.com

Nylon PCB Support

PCBS-ACBS Series, Keyslot Mount Spacer



RoHS COMPLIANT

Specifications:

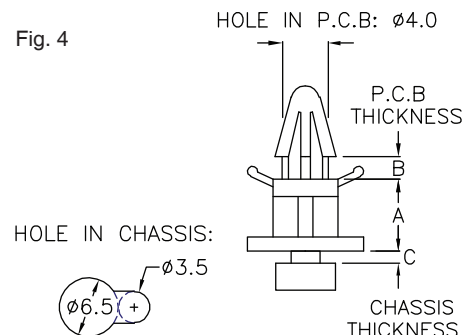
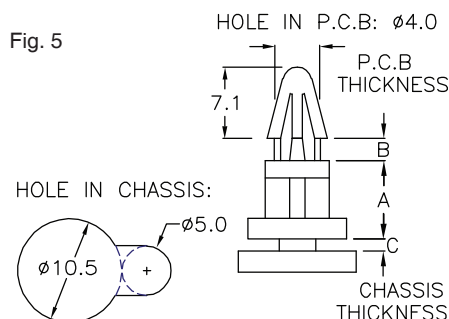
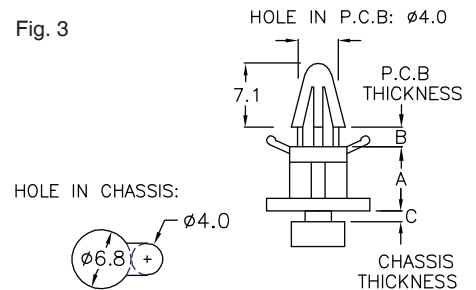
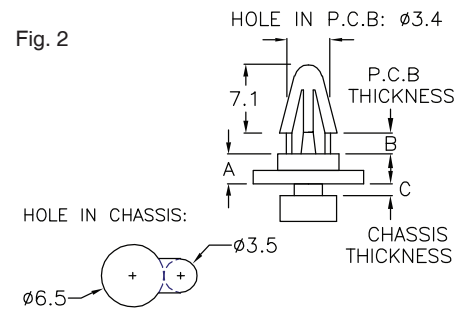
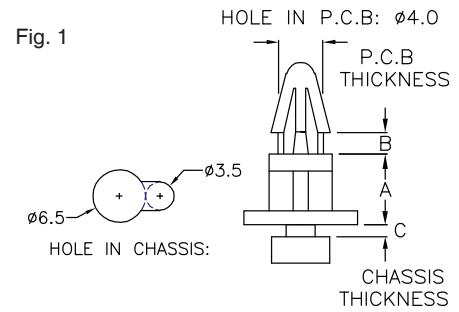
Material: Nylon 6/6
UL Rating: 94V-2
Color: Natural

Part Number	Ref. "A", mm [in.]	Ref "B", mm [in.]	Ref. "C", mm [in.]	Standard Package
Refer to Fig. 1 for drawing				
PCBS-ACBS-2	2.5 [0.098]	1.4-1.7 [0.055-0.067]	0.8-1.4 [0.031-0.055]	1000
PCBS-ACBS-3A	3.5 [0.138]	1.4-1.7 [0.055-0.067]	0.8-1.0 [0.031-0.039]	
PCBS-ACBS-5	5.0 [0.197]	1.2-1.7 [0.047-0.067]	0.8-1.4 [0.031-0.055]	
PCBS-ACBS-6	6.5 [0.256]	1.2-1.7 [0.047-0.067]	0.8-1.2 [0.031-0.047]	
PCBS-ACBS-6B	6.4 [0.250]	1.4-1.9 [0.055-0.075]	0.8-1.4 [0.031-0.055]	
PCBS-ACBS-6C	6.4 [0.250]	1.4-2.0 [0.055-0.079]	0.8-1.4 [0.031-0.055]	
PCBS-ACBS-6M	6.4 [0.250]	1.2-1.6 [0.047-0.063]	0.5-0.8 [0.020-0.031]	
PCBS-ACBS-8	8.0 [0.315]	1.4-1.8 [0.055-0.071]	0.8-1.4 [0.031-0.055]	
PCBS-ACBS-10	10.0 [0.394]	1.4-1.8 [0.055-0.071]	0.8-1.5 [0.031-0.059]	
PCBS-ACBS-12	12.7 [0.500]	1.4-1.8 [0.055-0.071]	1.0-1.6 [0.039-0.063]	

Part Number	Ref. "A", mm [in.]	Ref "B", mm [in.]	Ref. "C", mm [in.]	Standard Package
Refer to Fig. 2 for drawing				
PCBS-ACBS-3C	3.5 [0.138]	1.4-1.8 [0.055-0.071]	0.8-1.0 [0.031-0.039]	1000
Refer to Fig. 3 for drawing				
PCBS-ACBS-6K	6.5 [0.256]	1.8-2.3 [0.071-0.091]	0.6-0.8 [0.024-0.031]	1000

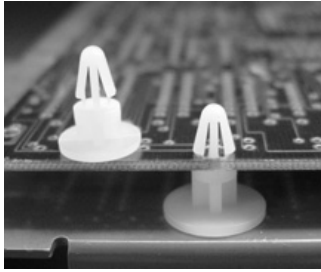
Part Number	Ref. "A", mm [in.]	Ref "B", mm [in.]	Ref. "C", mm [in.]	Standard Package
Refer to Fig. 4 for drawing				
PCBS-ACBS-6T	6.7 [0.264]	1.5-2.3 [0.059-0.091]	0.8-1.5 [0.031-0.059]	1000
PCBS-ACBS-17T	17.0 [0.669]	1.4-1.8 [0.055-0.071]	0.6-0.8 [0.024-0.031]	500
PCBS-ACBS-74T	74.0 [2.913]	1.4-1.6 [0.055-0.063]	1.0-1.2 [0.039-0.047]	200

Part Number	Ref. "A", mm [in.]	Ref "B", mm [in.]	Ref. "C", mm [in.]	Standard Package
Refer to Fig. 5 for drawing				
PCBS-ACBS-8A	8.0 [0.315]	1.4-1.9 [0.055-0.075]	1.6-2.2 [0.063-0.087]	1000



Nylon PCB Support

PCBS-ACBS Series, Slot/Rest Mount Spacer



RoHS COMPLIANT

Specifications:

Material: Nylon 6/6
UL Rating: 94V-2
Color: Natural

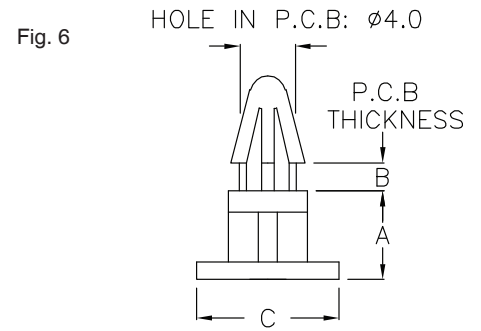


Fig. 6

Part Number	Ref. "A", mm [in.]	Ref. "B", mm [in.]	Ref "C", mm [in.]	Standard Package
Refer to Fig. 6 for drawing				
PCBS-ACBS-6Y	6.4 [0.252]	1.2-1.6 [0.047-0.063]	11.8 [0.465]	1000
PCBS-ACBS-8X	8.0 [0.315]	1.2-1.7 [0.047-0.067]	15.0 [0.591]	
PCBS-ACBS-8Y	8.0 [0.315]	1.2-1.7 [0.047-0.067]	11.6 [0.457]	
PCBS-ACBS-8K	8.0 [0.315]	1.2-1.7 [0.047-0.067]	18.0 [0.709]	
PCBS-ACBS-17	17.0 [0.669]	1.4-1.8 [0.055-0.071]	11.3 [0.445]	500

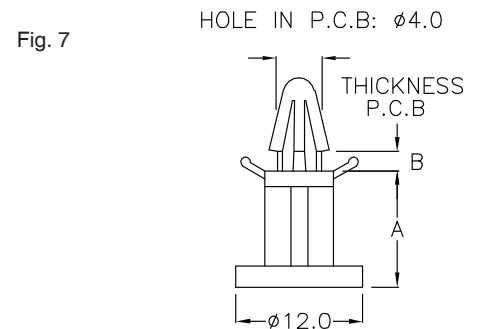


Fig. 7

Part Number	Ref. "A", mm [in.]	Ref. "B", mm [in.]	Standard Package
Refer to Fig. 7 for drawing			
PCBS-ACBS-8D	8.0 [0.315]	1.2-1.6 [0.047-0.063]	1000
PCBS-ACBS-9K	8.5 [0.335]	1.6-2.2 [0.063-0.087]	
PCBS-ACBS-9Y	9.0 [0.354]	1.2-1.6 [0.047-0.063]	
PCBS-ACBS-10Y	10.0 [0.394]	1.2-1.6 [0.047-0.063]	
PCBS-ACBS-11Y	11.0 [0.433]	1.2-1.6 [0.047-0.063]	

Nylon PCB Support

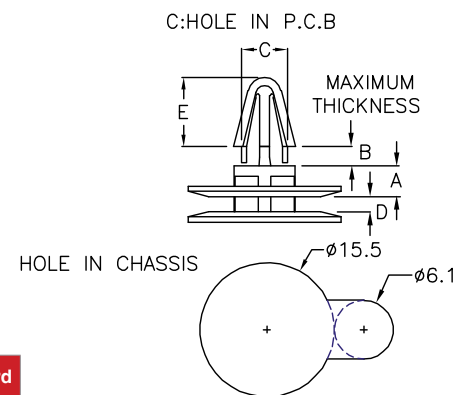
PCBS-LSA Series, Keyslot Mount Spacer



RoHS COMPLIANT

Specifications:

Material: Nylon 6/6
UL Rating: 94V-2
Color: Natural



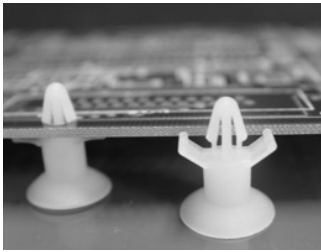
Part Number	Ref. "A", mm [in.]	Ref. "B", mm [in.]	Hole Dia. "C", ϕ , mm [in.]	Ref. "D", mm [in.]	Standard Package
PCBS-LSA-2A	3.0 [0.118]	1.6 [0.063]	$\phi 4.0$ [0.157]	1.4 [0.055]	500

all dimension units in millimeter (mm) unless noted otherwise

www.vaisis.com | P: 626-795-6696 | F: 626-795-6896 | Email: sales@vaisis.com

Nylon PCB Support

PCBS-LTD Series, Slot/Rest Mount Spacer



RoHS COMPLIANT

Specifications:

Material: Nylon 6/6
UL Rating: 94V-2
Color: Natural

Part Number	Ref. "A", mm [in.]	Ref. "B", mm [in.]	Standard Package
Refer to Fig. 1 for Drawing			
PCBS-LTD-10	9.9 [0.390]	2.0 [0.079]	500
Refer to Fig. 2 for Drawing			
PCBS-LTD-11	9.9 [0.390]	2.0 [0.079]	500
PCBS-LTD-14	14.0 [0.551]	2.0 [0.079]	
Refer to Fig. 3 for Drawing			
PCBS-LTD-13	13.3 [0.524]	2.0 [0.079]	500

Part Number	Ref. "A", mm [in.]	Ref. "B", mm [in.]	Dia. "C", mm [in.]	Ref. "D", mm [in.]	Standard Package
Refer to Fig. 4 for drawing					
PCBS-LTD-18	18.0 [0.709]	1.8 [0.071]	4.5 [0.177]	3.5 [0.138]	500
PCBS-LTD-18A	18.0 [0.709]	1.8 [0.071]	4.5 [0.177]	3.0 [0.118]	
Refer to Fig. 5 for drawing					
PCBS-LTD-18C	18.0 [0.709]	1.7 [0.067]	4.5 [0.177]	3.0 [0.118]	500

Part Number	Ref. "A", mm [in.]	Ref. "B", mm [in.]	Dia. "C", mm [in.]	Standard Package
Refer to Fig. 6 for drawing				
PCBS-LTD-21	21.0 [0.827]	2.0 [0.079]	4.5 [0.177]	200

Fig. 1

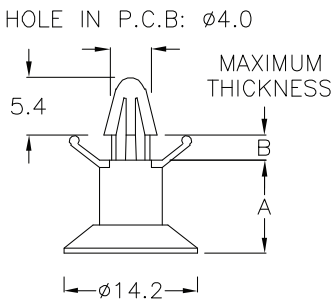


Fig. 2

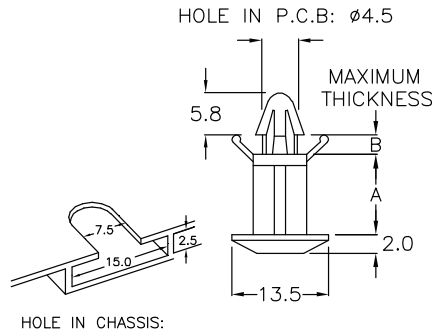


Fig. 3

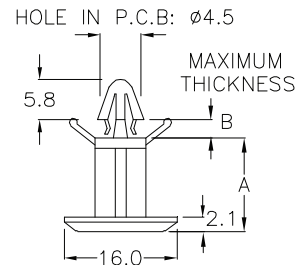


Fig. 4

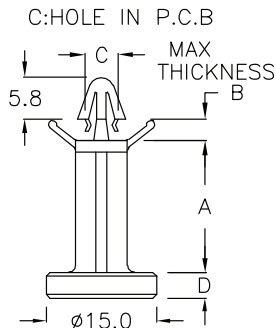


Fig. 5

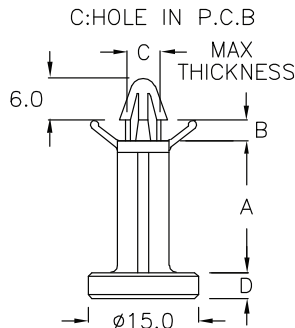
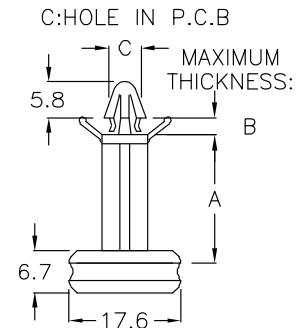
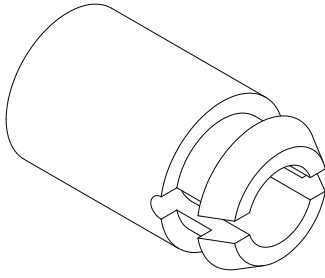


Fig. 6



Nylon PCB Support

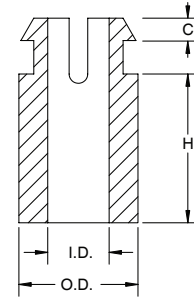
PCBS-SRS Series, Screw Retainer Spacer



RoHS COMPLIANT

Specifications:

Material: Nylon 6/6
UL Rating: 94V-2
Color: Natural



Part Number	Height "H" mm [in.]	Ref. "C" mm [in.]	Std. Pkg.
O.D. = 4.0 mm [0.157 in.] I.D. = 2.1 mm [0.083 in.] To Fit Hole Dia. on PCB = 3.0 mm [0.118 in.] To Fit PCB Thickness = 0.8-1.0 mm [0.031-0.039 in.] To Fit Screw Size M2 or Std. Equiv.			
SRS-SS1-020	2.0 [0.079]	1.2 [0.047]	2000
SRS-SS1-025	2.5 [0.098]	1.2 [0.047]	
SRS-SS1-030	3.0 [0.118]	1.2 [0.047]	
SRS-SS1-035	3.5 [0.138]	1.2 [0.047]	
SRS-SS1-040	4.0 [0.157]	1.2 [0.047]	
SRS-SS1-045	4.5 [0.177]	1.2 [0.047]	
SRS-SS1-050	5.0 [0.197]	1.2 [0.047]	
SRS-SS1-055	5.5 [0.217]	1.2 [0.047]	
SRS-SS1-060	6.0 [0.236]	1.2 [0.047]	
SRS-SS1-020S	2.0 [0.079]	0.5 [0.020]	
SRS-SS1-025S	2.5 [0.098]	0.5 [0.020]	
SRS-SS1-030S	3.0 [0.118]	0.5 [0.020]	
SRS-SS1-035S	3.5 [0.138]	0.5 [0.020]	
SRS-SS1-040S	4.0 [0.157]	0.5 [0.020]	
SRS-SS1-045S	4.5 [0.177]	0.5 [0.020]	
SRS-SS1-050S	5.0 [0.197]	0.5 [0.020]	
SRS-SS1-055S	5.5 [0.217]	0.5 [0.020]	
SRS-SS1-060S	6.0 [0.236]	0.5 [0.020]	
O.D. = 4.0 mm [0.157 in.] I.D. = 2.1 mm [0.083 in.] To Fit Hole Dia. on PCB = 3.0 mm [0.118 in.] To Fit PCB Thickness = 1.6 mm [0.063 in.] To Fit Screw Size M2.0 or Std. Equiv.			
SRS-SS1-020L	2.0 [0.079]	1.0 [0.039]	2000
SRS-SS1-025L	2.5 [0.098]	1.0 [0.039]	
SRS-SS1-030L	3.0 [0.118]	1.0 [0.039]	
SRS-SS1-035L	3.5 [0.138]	1.0 [0.039]	
SRS-SS1-040L	4.0 [0.157]	1.0 [0.039]	
SRS-SS1-045L	4.5 [0.177]	1.0 [0.039]	
SRS-SS1-050L	5.0 [0.197]	1.0 [0.039]	
SRS-SS1-055L	5.5 [0.217]	1.0 [0.039]	
SRS-SS1-060L	6.0 [0.236]	1.0 [0.039]	
SRS-SS1-080L	8.0 [0.315]	1.0 [0.039]	

Part Number	Height "H" mm [in.]	Ref. "C" mm [in.]	Std. Pkg.
O.D. = 5.5 mm [0.217 in.] I.D. = 2.7 mm [0.106 in.] To Fit Hole Dia. on PCB = 4.0 mm [0.157 in.] To Fit PCB Thickness = 1.6 mm [0.063 in.] To Fit Screw Size M2.5 or Std. Equiv.			
SRS-SS2-025	2.5 [0.098]	1.5 [0.059]	2000
SRS-SS2-030	3.0 [0.118]	1.5 [0.059]	
SRS-SS2-040	4.0 [0.157]	1.5 [0.059]	
SRS-SS2-050	5.0 [0.197]	1.5 [0.059]	
SRS-SS2-054	5.4 [0.213]	1.5 [0.059]	
SRS-SS2-060	6.0 [0.236]	1.5 [0.059]	
O.D. = 5.5 mm [0.217 in.] I.D. = 2.8 mm [0.110 in.] To Fit Hole Dia. on PCB = 4.0 mm [0.157 in.] To Fit PCB Thickness = 1.6-1.8 mm [0.063-0.071 in.] To Fit Screw Size M2.6 or Std. Equiv.			
SRS-SS2-025S	2.5 [0.098]	1.5 [0.059]	2000
SRS-SS2-030S	3.0 [0.118]	1.5 [0.059]	
SRS-SS2-040S	4.0 [0.157]	1.5 [0.059]	
SRS-SS2-050S	5.0 [0.197]	1.5 [0.059]	
SRS-SS2-060S	6.0 [0.236]	1.5 [0.059]	
O.D. = 6.4 mm [0.250 in.] I.D. = 3.2 mm [0.126 in.] To Fit Hole Dia. on PCB = 4.8 mm [0.189 in.] To Fit PCB Thickness = 1.2-1.7 mm [0.047-0.067 in.] To Fit Screw Size M3 or Std. Equiv.			
SRS-SS3-030	3.0 [0.118]	1.5 [0.059]	1000
SRS-SS3-035	3.5 [0.138]	1.5 [0.059]	
SRS-SS3-040	4.0 [0.157]	1.5 [0.059]	
SRS-SS3-045	4.5 [0.177]	1.5 [0.059]	
SRS-SS3-050	5.0 [0.197]	1.5 [0.059]	
SRS-SS3-060	6.0 [0.236]	1.5 [0.059]	
SRS-SS3-080	8.0 [0.315]	1.5 [0.059]	
SRS-SS3-095	9.5 [0.375]	1.5 [0.059]	
SRS-SS3-111	11.1 [0.437]	1.5 [0.059]	
SRS-SS3-120	12.0 [0.472]	1.5 [0.059]	
SRS-SS3-127	12.7 [0.500]	1.5 [0.059]	
SRS-SS3-142	14.2 [0.559]	1.5 [0.059]	
SRS-SS3-150	15.0 [0.591]	1.5 [0.059]	

Part Number	Height "H" mm [in.]	Ref. "C" mm [in.]	Std. Pkg.	
(Continued) O.D. = 6.4 mm [0.250 in.] I.D. = 3.2 mm [0.126 in.] To Fit Hole Dia. on PCB = 4.8 mm [0.189 in.] To Fit PCB Thickness = 1.2-1.7 mm [0.047-0.067 in.] To Fit Screw Size M3 or Std. Equiv.				
SRS-SS3-159	15.9 [0.625]	1.5 [0.059]	1000	
SRS-SS3-191	19.1 [0.750]	1.5 [0.059]		
SRS-SS3-222	22.2 [0.875]	1.5 [0.059]		
SRS-SS3-254	25.4 [1.000]	1.5 [0.059]	500	
SRS-SS3-[]	Custom	1.5 [0.059]	1000	
O.D. = 7.1 mm [0.280 in.] I.D. = 4.2 mm [0.165 in.] To Fit Hole Dia. on PCB = 5.9 mm [0.232 in.] To Fit PCB Thickness = 1.2-1.7 mm [0.047-0.067 in.] To Fit Screw Size M4 or Std. Equiv.				
SRS-SS4-030	3.0 [0.118]	1.5 [0.059]	1000	
SRS-SS4-040	4.0 [0.157]	1.5 [0.059]		
SRS-SS4-046	4.6 [0.181]	1.5 [0.059]		
SRS-SS4-050	5.0 [0.197]	1.5 [0.059]		
SRS-SS4-064	6.4 [0.250]	1.5 [0.059]		
SRS-SS4-079	7.9 [0.311]	1.5 [0.059]		
SRS-SS4-095	9.5 [0.375]	1.5 [0.059]		
SRS-SS4-111	11.1 [0.437]	1.5 [0.059]		
SRS-SS4-127	12.7 [0.500]	1.5 [0.059]		
SRS-SS4-159	15.9 [0.625]	1.5 [0.059]		
SRS-SS4-170	17.0 [0.669]	1.5 [0.059]		
SRS-SS4-191	19.1 [0.750]	1.5 [0.059]		
SRS-SS4-222	22.2 [0.875]	1.5 [0.059]		
SRS-SS4-154	25.4 [1.000]	1.5 [0.059]		500
SRS-SS4-300	30.0 [1.181]	1.5 [0.059]		

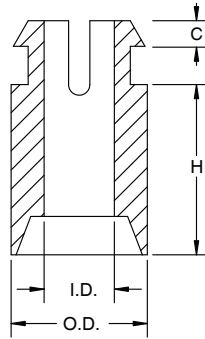
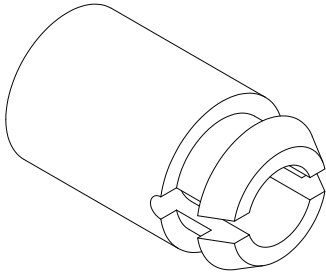
all dimension units in millimeter (mm) unless noted otherwise

www.vaisis.com | P: 626-795-6696 | F: 626-795-6896 | Email: sales@vaisis.com

Vaisis

Nylon PCB Support

PCBS-SRS Series, Stackable Screw Retainer Spacer



RoHS COMPLIANT

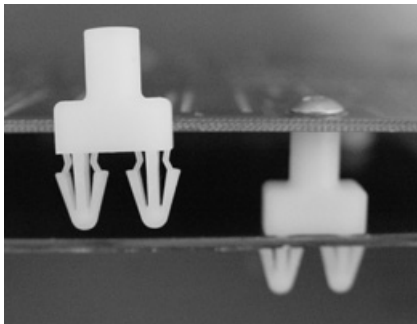
Specifications:

Material: Nylon 6/6
UL Rating: 94V-2
Color: Natural

Part Number	"H" mm [in.]	"C" mm [in.]	Std. Pkg.
O.D. = 7.9 mm [0.311 in.] I.D. = 3.9 mm [0.154 in.] To Fit Hole Dia. on PCB = 5.9 mm [0.232 in.] To Fit PCB Thickness = 1.8 mm [0.071 in.] To Fit Screw Size M3.5 or Std. Equiv.			
SSRS-SS35-063	6.3 [0.248]	1.4 [0.053]	1000
SSRS-SS35-095	9.5 [0.375]	1.4 [0.053]	
SSRS-SS35-127	12.7 [0.500]	1.4 [0.053]	
SSRS-SS35-159	15.9 [0.625]	1.4 [0.053]	

Nylon PCB Support

PCBS-TAA Series, Snap Lock, Screw Secured



RoHS COMPLIANT

Specifications:

Material: Nylon 6/6
UL Rating: 94V-2
Color: Natural
Screw*: Self Tapping

*Screw Not Included

Part Number	Ref. "A", mm [in.]	Ref. "B", mm [in.]	Tapping Screw, Dia. x Length, mm [in.]	Standard Package
Refer to Fig. 1 for drawing Self Tapping Screw Dia. = 3 mm [0.118 in.]				
PCBS-TAA-01	13.8 [0.543]	2.0 [0.079]	3x8 [0.118x0.315]	500
PCBS-TAA-03	21.0 [0.827]	1.6 [0.063]	3x8 [0.118x0.315]	
PCBS-TAA-04	15.0 [0.591]	2.0 [0.079]	3x8 [0.118x0.315]	
PCBS-TAA-05	5.0 [0.197]	1.6 [0.063]	3x4 [0.118x0.157]	
PCBS-TAA-06	14.1 [0.555]	2.5 [0.098]	3x8 [0.118x0.315]	

Part Number	Ref. "A", mm[in.]	Ref. "B", mm[in.]	Ref. "E", mm[in.]	Tapping Screw, Dia. x Length, mm[in.]	Standard Package
Refer to Fig. 2 for drawing Self Tapping Screw Dia. = 3 mm [0.118 in.]					
PCBS-TAA-4A	8.5 [0.335]	1.6 [0.063]	4.8 [0.189]	3x6 [0.118x0.236]	500
PCBS-TAA-07	4.5 [0.177]	2.0 [0.079]	4.3 [0.169]	3x4 [0.118x0.157]	

Fig. 1

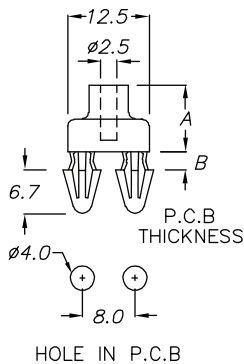
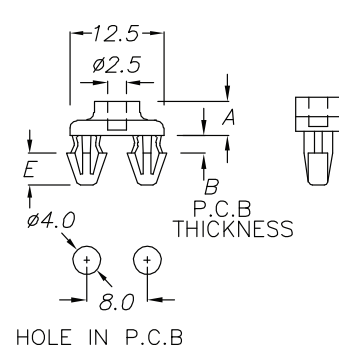
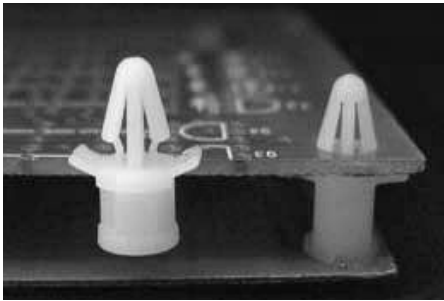


Fig. 2



Nylon PCB Support

PCBS-TCBS Series, Snap Lock, Self Tapping Chassis Mount

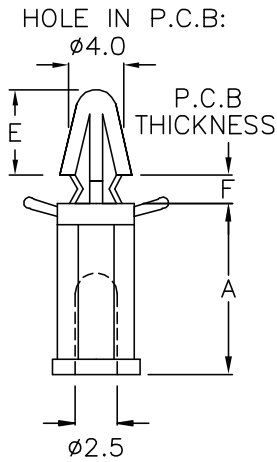


RoHS COMPLIANT

Specifications:

Material: Nylon 6/6
UL Rating: 94V-2
Color: Natural
Screw*: Self Tapping

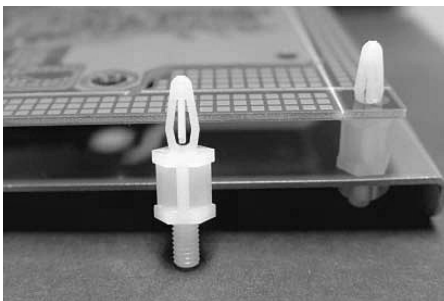
*Screw Not Included



Part Number	Height "A", mm [in.]	Ref. "E", mm [in.]	PCB Thickness "F", mm [in.]	Tapping Screw	Standard Package
PCBS-TCBS-5	5.0 [0.197]	7.1 [0.280]	1.2-1.9 [0.047-0.075]	3 x 6mm	1000
PCBS-TCBS-5A	5.5 [0.217]	7.1 [0.280]			
PCBS-TCBS-6	6.4 [0.250]	6.8 [0.268]			
PCBS-TCBS-7	7.0 [0.276]	6.8 [0.268]			
PCBS-TCBS-10	10.0 [0.394]	7.1 [0.280]			
PCBS-TCBS-15	15.0 [0.591]	7.1 [0.280]			
PCBS-TCBS-18	18.0 [0.709]	6.8 [0.268]		3 x 10mm	500
PCBS-TCBS-20	20.0 [0.787]	7.1 [0.280]			
PCBS-TCBS-25	25.0 [0.984]	7.1 [0.280]			
PCBS-TCBS-27A	27.4 [1.079]	6.8 [0.268]			
PCBS-TCBS-29	29.3 [1.154]	6.8 [0.268]			
PCBS-TCBS-30	30.0 [1.181]	7.1 [0.280]			
PCBS-TCBS-35	35.0 [1.378]	7.1 [0.280]			
PCBS-TCBS-38	38.0 [1.496]	7.1 [0.280]			
PCBS-TCBS-40	40.0 [1.575]	7.1 [0.280]			
PCBS-TCBS-49	49.0 [1.929]	6.6 [0.260]		200	

Nylon PCB Support

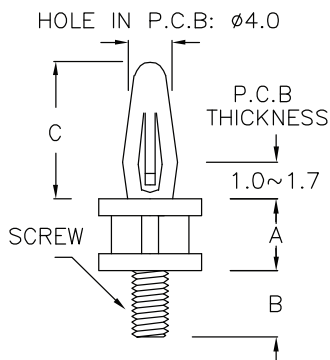
PCBS-SSBS Series, Snap Fit, Screw Chassis Mount



RoHS COMPLIANT

Specifications:

Material: Nylon 6/6
UL Rating: 94V-2
Color: Natural

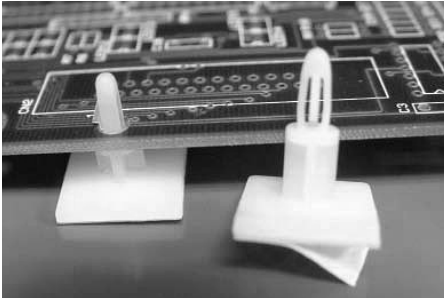


Part Number	Length "A", mm [in.]	Thread Length "B", mm [in.]	Ref. "C", mm [in.]	Thread Size	Standard Package
Mounting Hole Dia. in PCB = 4.0 mm [0.157 in.] PCB Thickness = 1.0 - 1.7 mm [0.039 - 0.067 in.]					
PCBS-SSBS-6	6.2 [0.244]	7.6 [0.299]	10.6 [0.417]	6-32	1000
PCBS-SSBS-6M	6.4 [0.250]	5.0 [0.197]	10.6 [0.417]	6-32	
PCBS-SSBS-10	9.6 [0.378]	7.5 [0.295]	10.6 [0.417]	6-32	
PCBS-SSBS-12A	12.5 [0.492]	5.0 [0.197]	10.1 [0.398]	6-32	
PCBS-SSBS-M4-6	6.3 [0.248]	5.0 [0.197]	10.6 [0.417]	M4	
PCBS-SSBS-M4-10	10.0 [0.394]	7.4 [0.291]	10.6 [0.417]	M4	
PCBS-SSBS-M4-16	15.8 [0.622]	7.4 [0.291]	10.6 [0.417]	M4	

all dimension units in millimeter (mm) unless noted otherwise

www.vaisis.com | P: 626-795-6696 | F: 626-795-6896 | Email: sales@vaisis.com

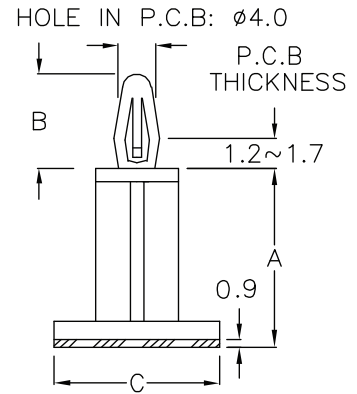
Nylon PCB Support PCBS-MS Series, Snap Fit, Adhesive Chassis Mount



RoHS COMPLIANT

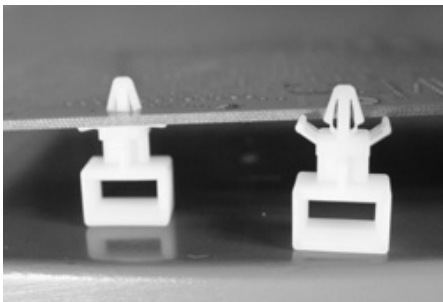
Specifications:

Material: Nylon 6/6
UL Rating: 94V-2
Color: Natural
Adhesive: 3M™ Form Tape



Part Number	Height "A", mm [in.]	Ref. "B", mm [in.]	Square Base Width "C", mm [in.]	Standard Package
Mounting Hole Dia. on PCB = 4.0 mm [0.157 in.] Adhesive Backing Thickness = 0.9 mm [0.035 in.]				
PCBS-MS-6	6.4 [0.250]	10.2 [0.402]	18.0 [0.709]	500
PCBS-MS-8	8.0 [0.315]	9.7 [0.382]		
PCBS-MS-10	9.6 [0.378]	10.2 [0.402]		
PCBS-MS-11A	11.6 [0.457]	4.9 [0.193]		
PCBS-MS-12	12.7 [0.500]	10.3 [0.406]		
PCBS-MS-16A	16.4 [0.646]	10.2 [0.402]		
PCBS-MS-19	19.4 [0.764]	10.2 [0.402]	18.0 [0.709]	200
PCBS-MS-22	22.2 [0.874]	9.6 [0.378]		

Nylon PCB Support PCBS-LTX Series, Snap Lock, Rest/Tie Mount



Part Number	Ref "A", mm [in.]	Ref. "B", mm [in.]	Ref. "C", mm [in.]	Ref. "D", mm [in.]	Ref "E", mm [in.]	Standard Package
Refer to Fig. 1 for drawing						
PCBS-LTX-13	13.2 [0.520]	7.2 [0.283]	3.7 [0.146]	1.6 [0.063]	-	1000
Refer to Fig. 2 for drawing						
PCBS-LTX-16	16.0 [0.630]	9.0 [0.354]	5.0 [0.197]	1.4 [0.055]	4.0 [0.157]	500
PCBS-LTX-16A	16.2 [0.638]	9.4 [0.370]	4.5 [0.177]	1.6 [0.063]	5.0 [0.197]	

RoHS COMPLIANT

Specifications:

Material: Nylon 6/6
UL Rating: 94V-2
Color: Natural

Fig. 1

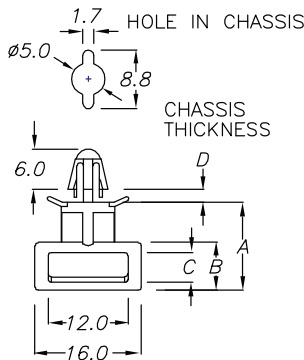


Fig. 2

