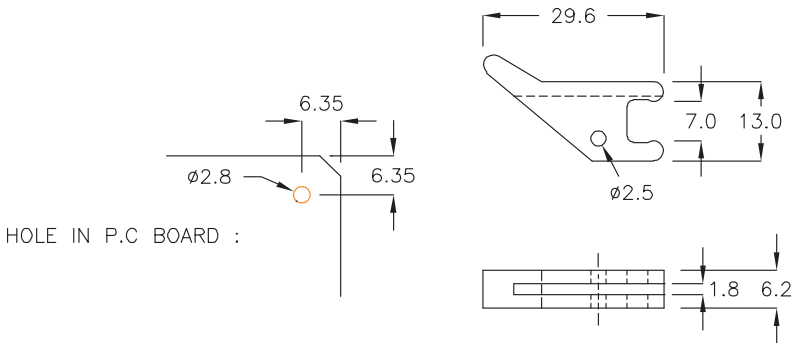


Printed Circuit Board Pullers



RoHS COMPLIANT

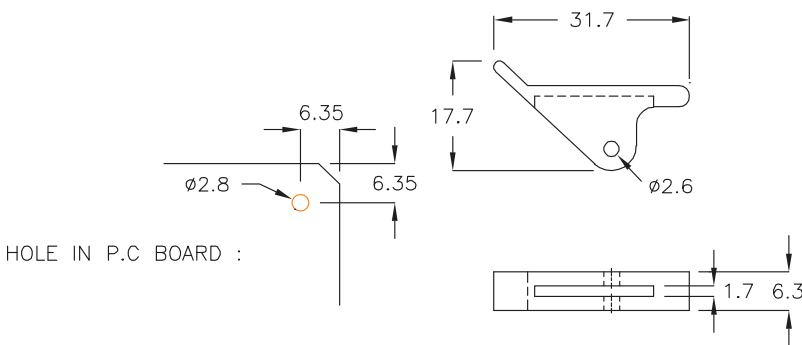
Specifications

Material: Nylon 6/6
UL Rating: 94V-2
Color: Natural

Roll Pin included

See Drawing for Installation Details

Part Number	Circuit Board Thickness	Standard Package
CBE-CP-10	1.8 mm [0.071 in.]	200



RoHS COMPLIANT

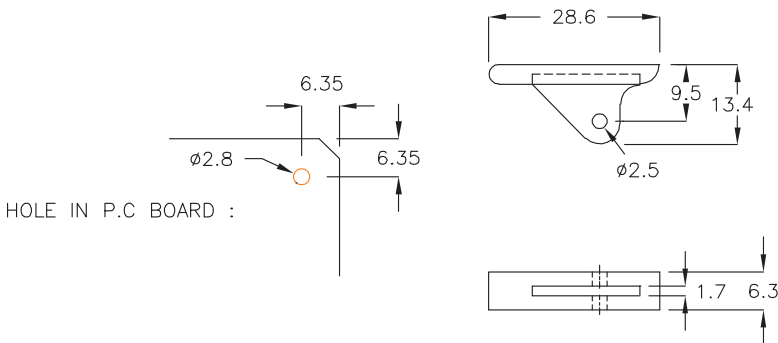
Specifications:

Material: Nylon 6/6
UL Rating: 94V-2
Color: Natural

Roll Pin included

See Drawing for Installation Details

Part Number	Circuit Board Thickness	Standard Package
CBE-CP-15	1.7 mm [0.067 in.]	200



RoHS COMPLIANT

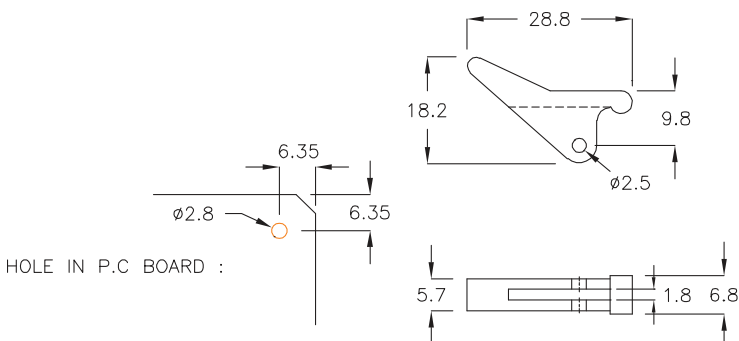
Specifications:

Material: Nylon 6/6
UL Rating: 94V-2
Color: Natural

Roll Pin included

See Drawing for Installation Details

Part Number	Circuit Board Thickness	Standard Package
CBE-CP-20	1.7 mm [0.067 in.]	200



RoHS COMPLIANT

Specifications:

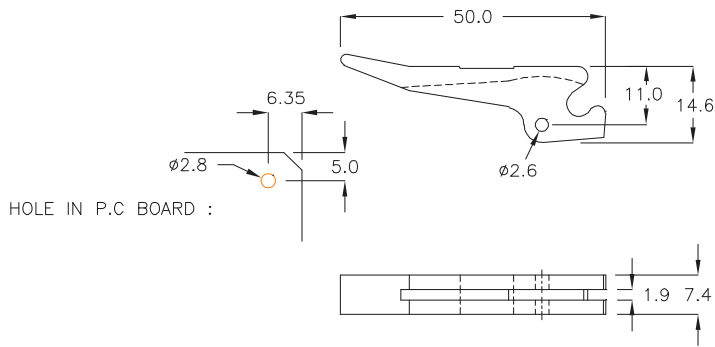
Material: Nylon 6/6
UL Rating: 94V-2
Color: Natural

Roll Pin included

See Drawing for Installation Details

Part Number	Circuit Board Thickness	Standard Package
CBE-CP-25	1.8 mm [0.071 in.]	200

Printed Circuit Board Pullers



RoHS COMPLIANT

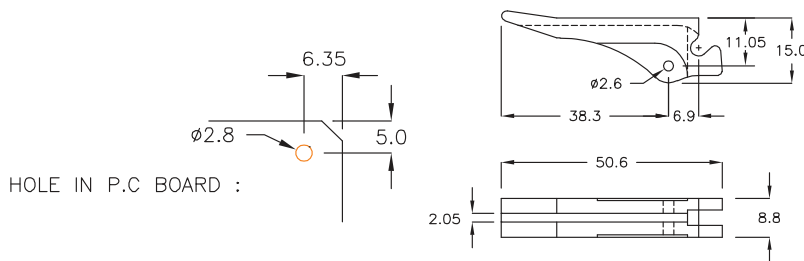
Specifications:

Material: Nylon 6/6
UL Rating: 94V-2
Color: Natural

Roll Pin included

See Drawing for Installation Details

Part Number	Circuit Board Thickness	Standard Package
CBE-CP-30	1.9 mm [0.075 in.]	200



RoHS COMPLIANT

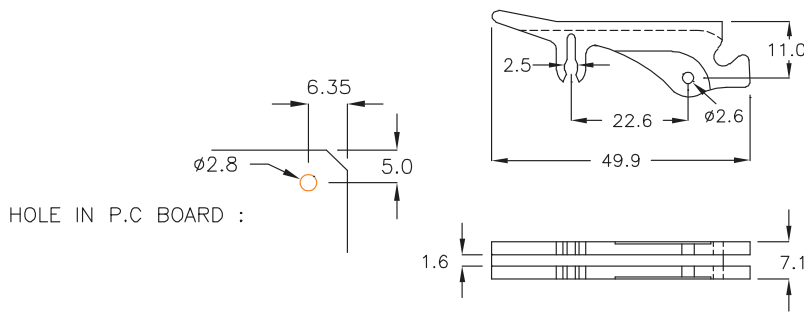
Specifications:

Material: Nylon 6/6
UL Rating: 94V-2
Color: Natural

Roll Pin included

See Drawing for Installation Details

Part Number	Circuit Board Thickness	Standard Package
CBE-CP-31	2.1 mm [0.081 in.]	200



RoHS COMPLIANT

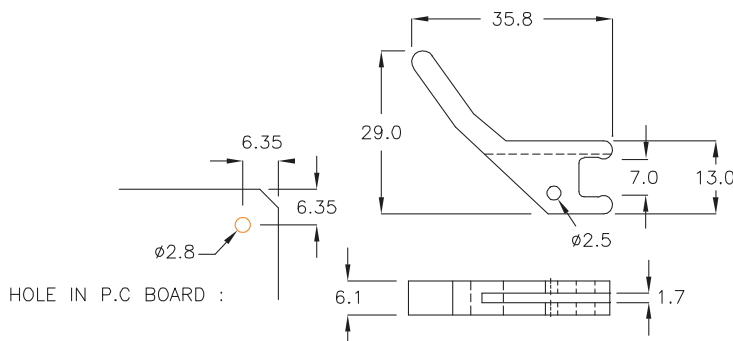
Specifications:

Material: Nylon 6/6
UL Rating: 94V-2
Color: Natural

Roll Pin included

See Drawing for Installation Details

Part Number	Circuit Board Thickness	Standard Package
CBE-CP-31C	1.6 mm [0.063 in.]	200



RoHS COMPLIANT

Specifications:

Material: Nylon 6/6
UL Rating: 94V-2
Color: Natural

Roll Pin included

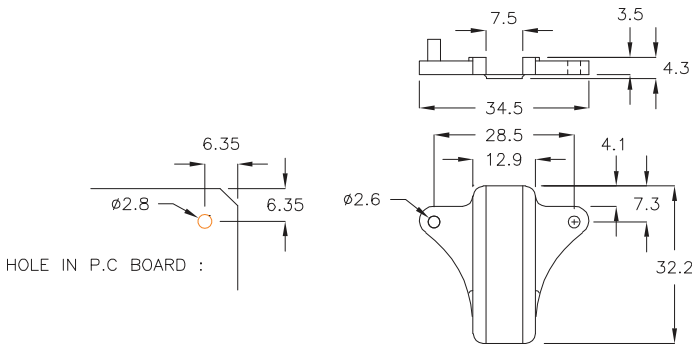
See Drawing for Installation Details

Part Number	Circuit Board Thickness	Standard Package
CBE-CP-32	1.7 mm [0.067 in.]	200

all dimension units in millimeter (mm) unless noted otherwise

www.vaisis.com | P: 626-795-6696 | F: 626-795-6896 | Email: sales@vaisis.com

Printed Circuit Board Pullers



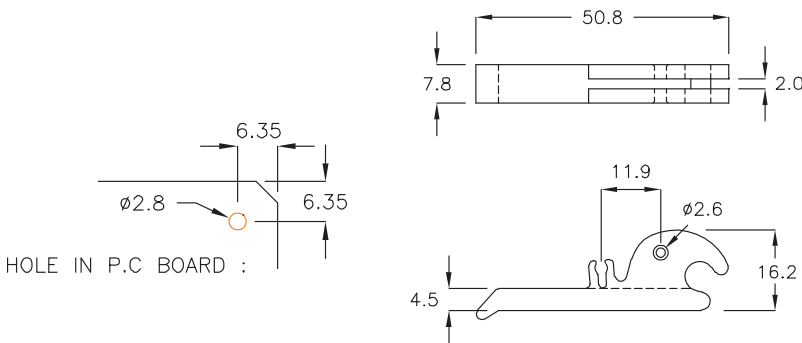
RoHS COMPLIANT

Specifications:

Material: Nylon 6/6
UL Rating: 94V-2
Color: Natural

One-Piece Design, No Roll Pin
 See Drawing for Installation Details

Part Number	Circuit Board Thickness	Standard Package
CBE-CP-33	1.9 mm [0.075 in.]	200



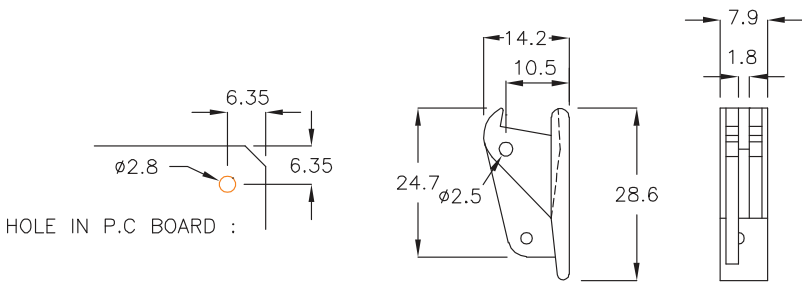
RoHS COMPLIANT

Specifications:

Material: Nylon 6/6
UL Rating: 94V-2
Color: Natural

Roll Pin included
 See Drawing for Installation Details

Part Number	Circuit Board Thickness	Standard Package
CBE-CP-34	2.0 mm [0.079 in.]	200



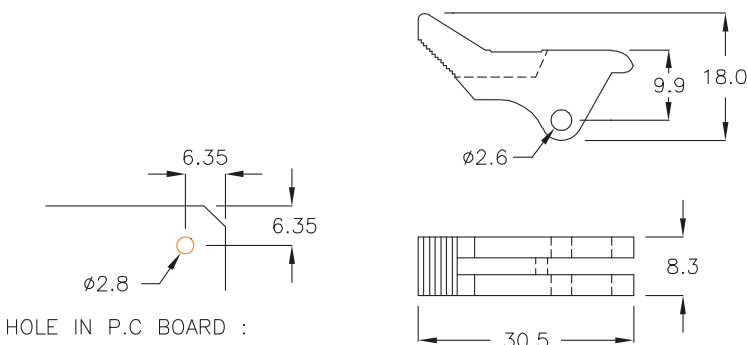
RoHS COMPLIANT

Specifications:

Material: Nylon 6/6
UL Rating: 94V-2
Color: Natural

Roll Pin included
 See Drawing for Installation Details

Part Number	Circuit Board Thickness	Standard Package
CBE-CP-35	1.8 mm [0.071 in.]	200



RoHS COMPLIANT

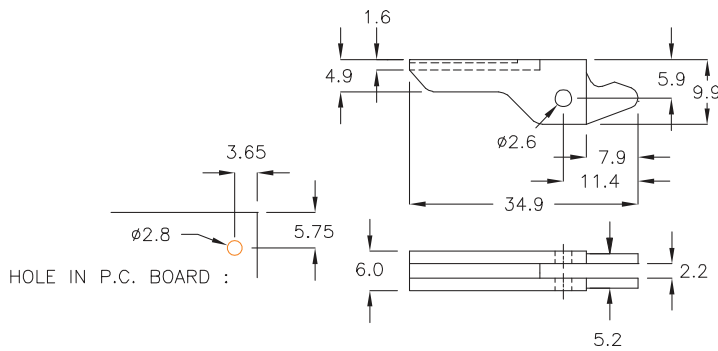
Specifications:

Material: Nylon 6/6
UL Rating: 94V-2
Color: Black

Roll Pin included
 See Drawing for Installation Details

Part Number	Circuit Board Thickness	Standard Package
CBE-CP-36	2.0 mm [0.079 in.]	200

Printed Circuit Board Pullers



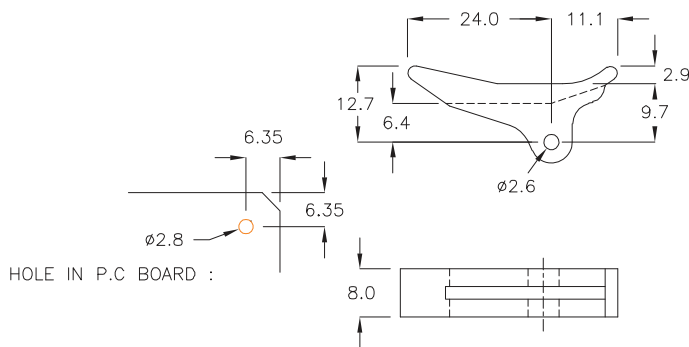
RoHS COMPLIANT

Specifications:

Material: Nylon 6/6
UL Rating: 94V-2
Color: Natural

Roll Pin included
 See Drawing for Installation Details

Part Number	Circuit Board Thickness	Standard Package
CBE-CP-37	2.2 mm [0.087 in.]	200



RoHS COMPLIANT

Specifications:

Material: Nylon 6/6
UL Rating: 94V-2
Color: Natural

Roll Pin included
 See Drawing for Installation Details

Part Number	Circuit Board Thickness	Standard Package
CBE-CP-39	2.0 mm [0.079 in.]	200

