

Plastic Single Cable Clamps Screw Secured Mount

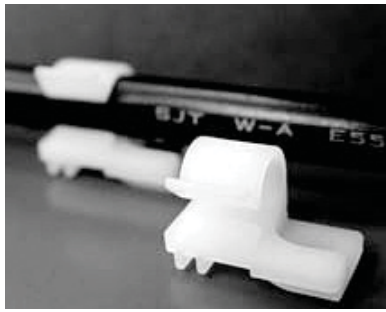


Fig. 1

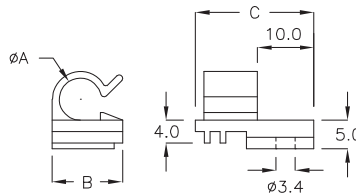
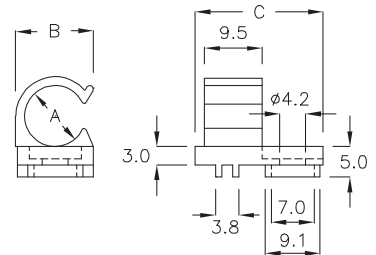


Fig. 2

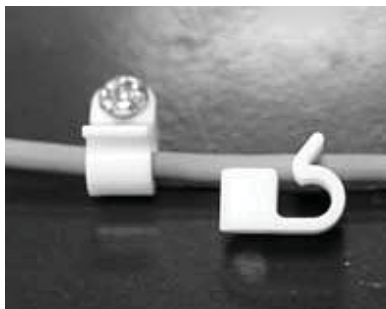


RoHS COMPLIANT

Specifications:

Material: Nylon 6/6
UL Rating: 94V-2
Color: Natural

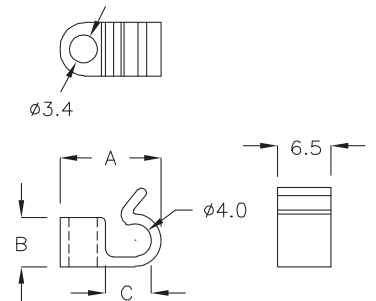
Part Number	Figure	Wire Dia. "A", ϕ , mm [in.]	Ref. "B", mm [in.]	Ref. "C", mm [in.]	Mounting Hole Dia., ϕ , mm [in.]	Standard Package
PCMSW-CHF-7	1	$\phi 7.5$ [0.295]	12.5 [0.492]	21.0 [0.827]	$\phi 3.4$ [0.134]	500
PCMSW-CHF-7A	2	$\phi 10.0$ [0.394]	12.8 [0.504]	21.0 [0.827]	$\phi 4.2$ [0.165]	



RoHS COMPLIANT

Specifications:

Material: Nylon 6/6
UL Rating: 94V-2
Color: Natural



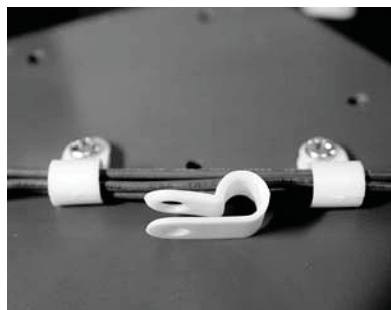
Part Number	Wire Dia., mm [in.]	Ref. "A", mm [in.]	Ref. "B", mm [in.]	Ref. "C", mm [in.]	Mounting Hole dia., mm [in.]	Standard Package
PCMSW-CHF-7	4.0 [0.157]	12.3 [0.484]	6.0 [0.236]	5.6 [0.220]	3.4 [0.134]	1000

all dimension units in millimeter (mm) unless noted otherwise

www.vaisis.com | P: 626-795-6696 | F: 626-795-6896 | Email: sales@vaisis.com

Vaisis

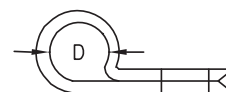
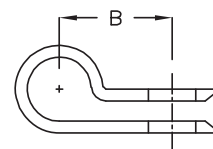
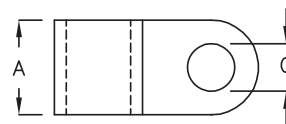
Plastic Round Cable Clamp Screw Secured Mount



RoHS COMPLIANT

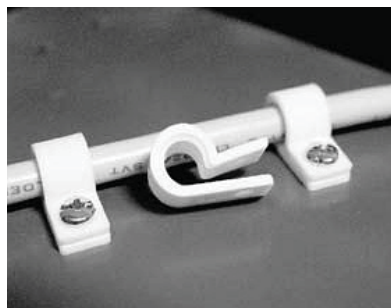
Specifications:

Material: Nylon 6/6
UL Rating: 94V-2
Color: Natural
 Black



Part Number	Close/Bundle Dia. "D", ø, mm [in.]	Ref. "A", mm [in.]	Ref. "B", mm [in.]	Mounting Hole Dia. "C", ø, mm [in.]	Standard Package
PCMSW-PC-1	ø3.6 [0.142]	13.5 [0.531]	9.0 [0.354]	ø5.4 [0.213]	1000
PCMSW-PC-1C	ø3.0 [0.118]	9.5 [0.374]	8.3 [0.327]	ø4.4 [0.173]	2000
PCMSW-PC-1S	ø3.1 [0.122]	6.5 [0.256]	6.7 [0.264]	ø3.5 [0.138]	
PCMSW-PC-2	ø5.0 [0.197]	10.2 [0.402]	11.5 [0.453]	ø4.0 [0.157]	
PCMSW-PC-2K	ø5.7 [0.224]	12.7 [0.500]	10.7 [0.421]	ø5.2 [0.205]	
PCMSW-PC-2L	ø7.3 [0.287]	9.6 [0.378]	12.1 [0.476]	ø5.0 [0.197]	1000
PCMSW-PC-2M	ø6.1 [0.240]	9.8 [0.386]	12.1 [0.476]	ø5.1 [0.201]	
PCMSW-PC-2S	ø6.9 [0.272]	9.8 [0.386]	12.0 [0.472]	ø5.1 [0.201]	
PCMSW-PC-3	ø5.6 [0.220]	10.0 [0.394]	11.9 [0.469]	ø4.4 [0.173]	
PCMSW-PC-3M	ø5.0 [0.197]	8.3 [0.327]	9.8 [0.386]	ø4.0 [0.157]	
PCMSW-PC-4	ø8.3 [0.327]	9.9 [0.390]	12.1 [0.476]	ø4.1 [0.161]	
PCMSW-PC-5	ø8.8 [0.346]	12.4 [0.488]	13.4 [0.528]	ø5.0 [0.197]	500
PCMSW-PC-5C	ø8.3 [0.327]	9.5 [0.374]	12.0 [0.472]	ø3.2 [0.126]	
PCMSW-PC-6	ø11.4 [0.449]	13.5 [0.531]	16.5 [0.650]	ø5.3 [0.207]	

Cable Management

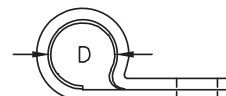
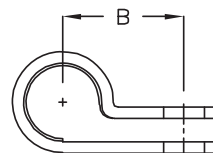
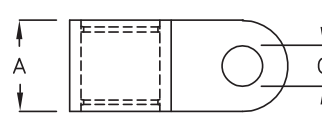


RoHS COMPLIANT

Specifications:

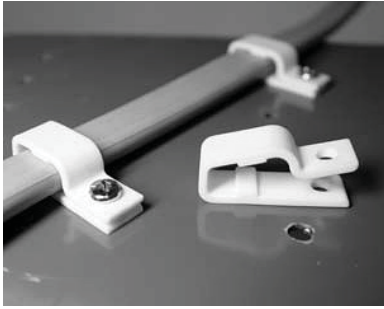
Material: Nylon 6/6
UL Rating: 94V-2
 94V-0 (Special Order)
Color: Natural

Heavy Duty Design



Part Number	Close/Bundle Dia. "D", ø, mm [in.]	Ref. "A", mm [in.]	Ref. "B", mm [in.]	Mounting Hole Dia. "C", ø, mm [in.]	Standard Package
PCMSW-PC-3L	ø5.5 [0.217]	10.0 [0.394]	10.0 [0.394]	ø4.4 [0.173]	
PCMSW-PC-3C	ø6.9 [0.272]	9.8 [0.386]	11.3 [0.445]	ø4.2 [0.165]	
PCMSW-PC-2C	ø7.7 [0.303]	9.8 [0.386]	12.0 [0.472]	ø4.2 [0.165]	500
PCMSW-PC-6M	ø11.0 [0.433]	10.0 [0.394]	15.1 [0.594]	ø4.0 [0.157]	

Plastic Flat Cable Clamp Screw Secured Mount



RoHS COMPLIANT

Specifications:

Material: Nylon 6/6
UL Rating: 94V-0
 94V-2 (PCMSW-PL-1)
Color: Natural

Part Number	Figure	Ref. "A", mm [in.]	Ref. "B", mm [in.]	Mounting Hole Dia. "C", ø, mm [in.]	Standard Package
PCMSW-PL-1	1	10.0 [0.394]	13.4 [0.528]	ø4.0 [0.157]	500
PCMSW-PL-1A	2	10.1 [0.398]	11.0 [0.433]	ø5.0 [0.197]	
PCMSW-PL-3	3	10.0 [0.394]	16.2 [0.636]	ø4.5 [0.177]	
PCMSW-PL-4	4	10.0 [0.394]	17.0 [0.669]	ø4.5 [0.177]	

Fig. 1

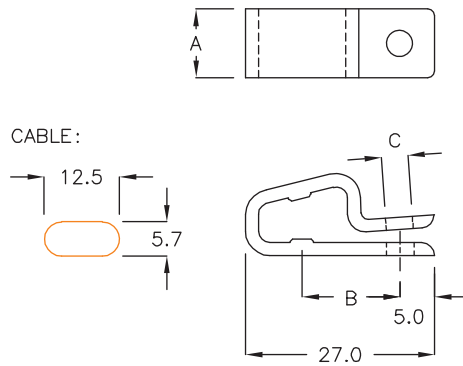


Fig. 2

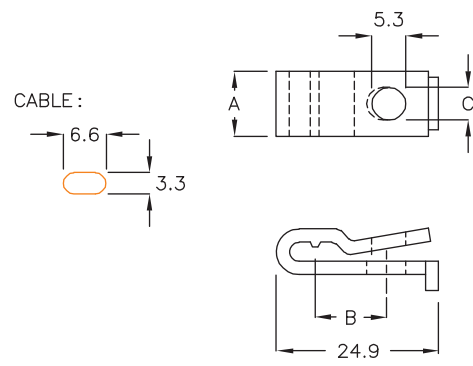


Fig. 3

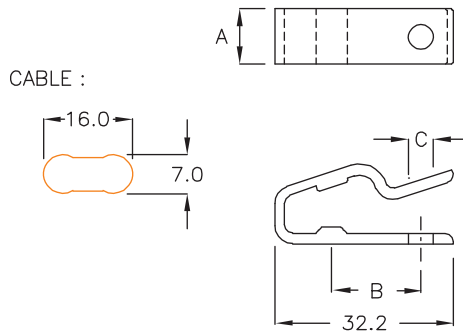
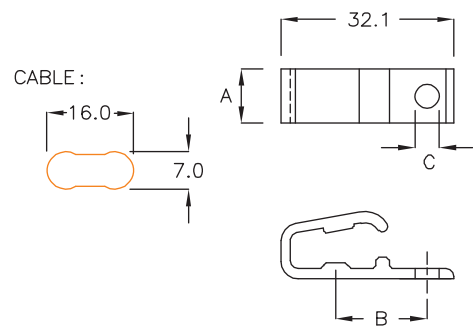


Fig. 4



all dimension units in millimeter (mm) unless noted otherwise

Plastic Strain Relief Clamp Screw Secured Mount



RoHS COMPLIANT

Specifications:

Material: Nylon 6/6
UL Rating: 94V-2
Color: Natural (PCMSW-PCT-1)
 Black (PCMSW-PCT-2)
 Black (PCMSW-PCT-3)

Part Number	Figure	Ref. "A", mm [in.]	Ref. "B", mm [in.]	Ref. "C", mm [in.]	Mounting Hole Dia., ø, mm [in.]	Standard Package
PCMSW-PCT-1	1	32.0 [1.260]	22.0 [0.866]	10.0 [0.394]	ø4.2 [0.165]	500
PCMSW-PCT-2	2	25.0 [0.984]	17.0 [0.669]	10.0 [0.394]	ø3.5 [0.138]	
PCMSW-PCT-3	3	25.0 [0.984]	17.0 [0.669]	10.0 [0.394]	ø3.7 [0.146]	

Fig. 1

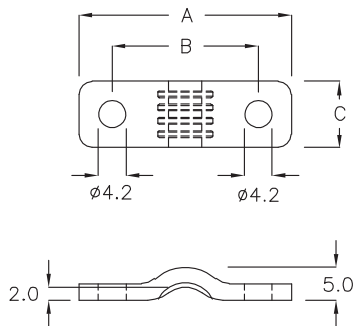


Fig. 2

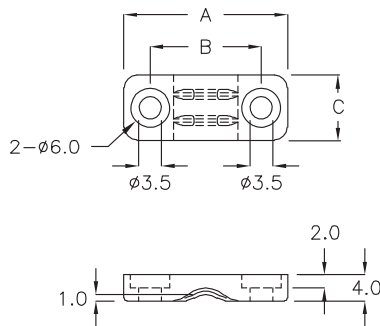
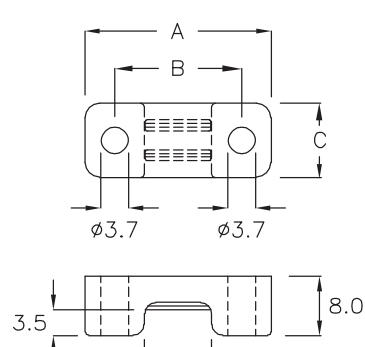


Fig. 3



Plastic Wire Saddles Screw Secured Mount

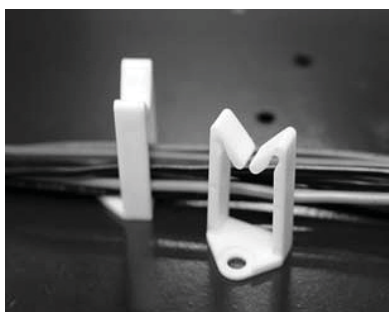


Fig. 1

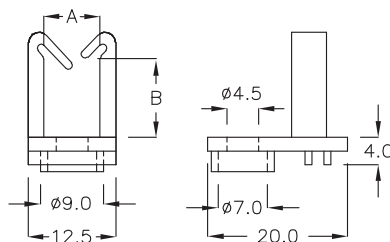
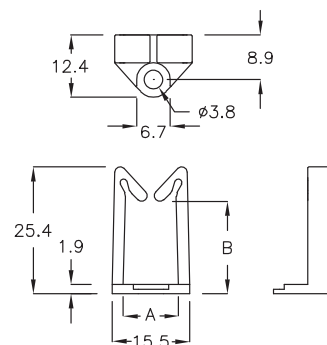


Fig. 2



RoHS COMPLIANT

Specifications:

Material: Nylon 6/6
UL Rating: 94V-2
Color: Natural

Part Number	Figure	Ref. "A", mm [in.]	Ref. "B", mm [in.]	Mounting Hole Dia., ø, mm [in.]	Standard Package
PCMSW-CHF-11E	1	8.0 [0.315]	11.2 [0.441]	ø4.5 [0.177]	500
PCMSW-CNF-11	2	11.0 [0.433]	18.5 [0.728]	ø3.8 [0.150]	